

**YAMAHA**

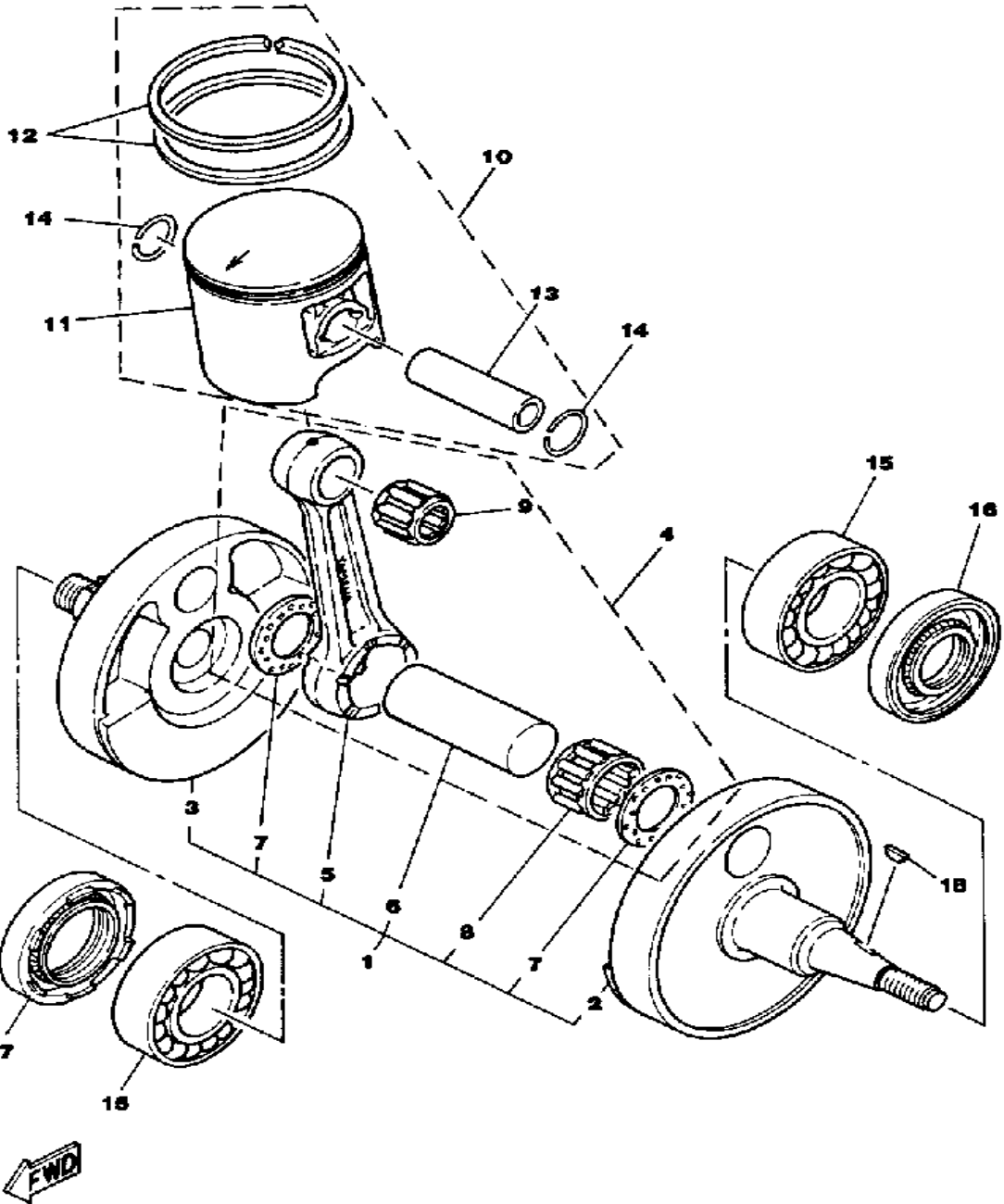
**GENUINE**

**PARTS CATALOGUE**

**MOTORCYCLE**



# CRANKSHAFT-PISTON

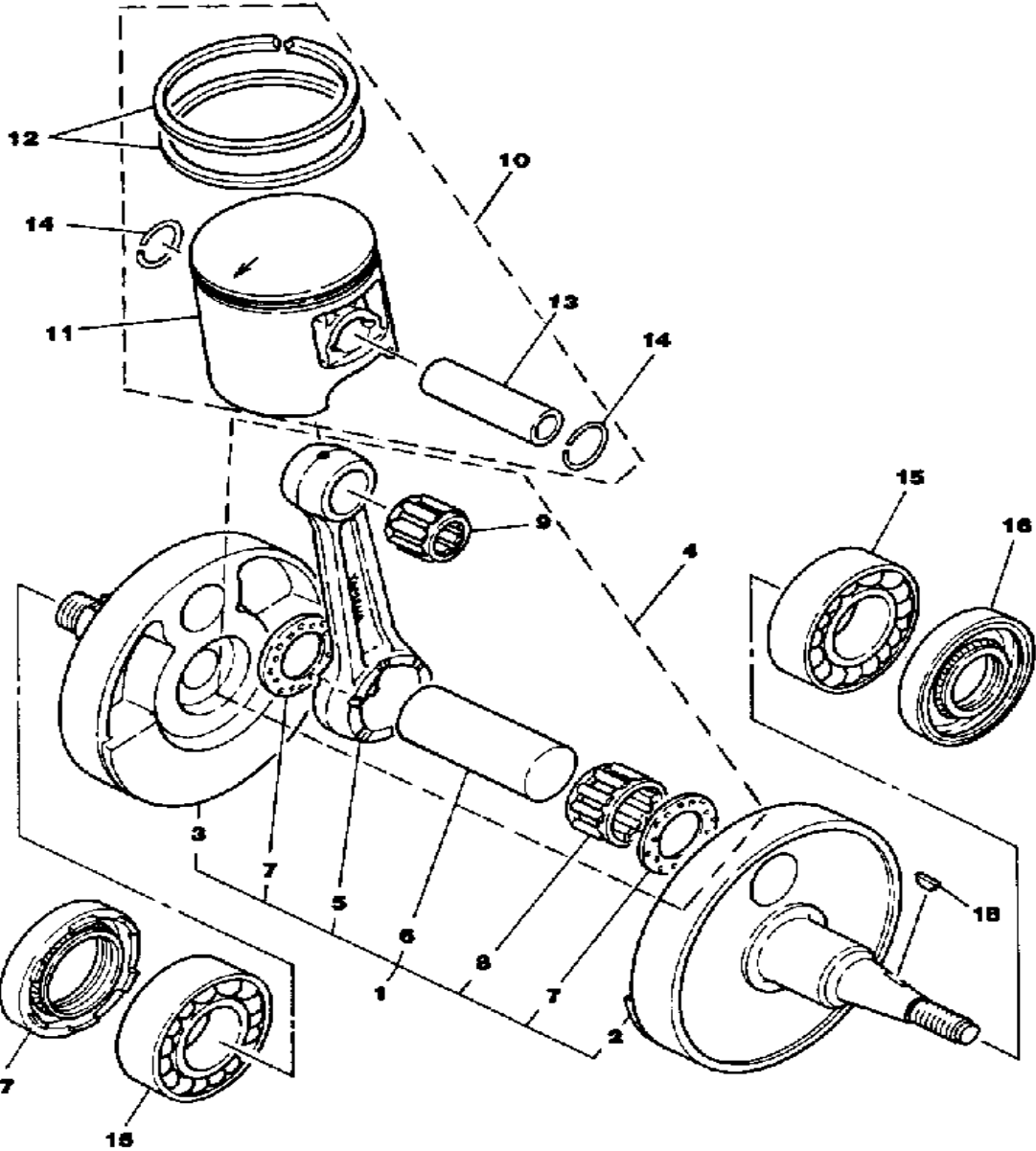


26A100-3020

Ref. No.	Part Number	Description	Qty	Remarks
1	(26A-11400-00-00)	CRANKSHAFT ASSEMBLY	1	
2	(26A-11412-00-00)	CRANK 1	1	
3	26A-11422-00-00	. CRANK 2	1	
4	3R5-11650-00-00	. CONNECTING ROD ASSEMBLY	1	
5	3R5-11651-00-00	.. ROD, CONNECTING	1	
6	3R8-11681-00-00	.. PIN, CRANK 1	1	
7	90209-25085-00	.. WASHER	2	
8	93310-425N4-00	.. BEARING, CYLINDER.# 0	1	
9	93310-418E9-00	. BEARING, CYLINDRICAL	1	
11	26A-11630-00-KT	PISTON N.A.KIT STD	1	
	26A-11631-00-93	. PISTON STD	1	
12	5X6-11601-00-00	. PISTON RINGSET STD	1	
13	275-11633-00-00	. PIN, PISTON (1W4-11633-00)	1	
14	93450-19052-00	. CIRCLIP	2	
15	93306-30615-00	BEARING (B6306)	2	
16	93103-30150-00	OIL SEAL (38W)	1	
17	93103-40091-00	OIL SEAL, SW-TYPE	1	
18	(26A-11630-10-00)	PISTON KIT 1ST	1	
	(26A-11630-40-00)	PISTON KIT 4TH	1	
	26A-11630-20-KT	PISTON N.A.KIT 2ND (3RD O/S)	1	
	26A-11635-00-00	PISTON 1 O/S 0.25 (1ST O/S .25MM)	1	
	26A-11636-00-00	PISTON 2 O/S 0.50 (2ND O/S 0.50MM)	1	
	26A-11637-00-00	PISTON 3 O/S 0.75 (3RD O/S 0.75MM)	1	
	26A-11638-00-00	PISTON 4 O/S 1.00 (4TH O/S 1.00MM)	1	
	5X6-11601-10-00	PISTON RINGSET 1ST (1ST O/S)	1	

CONTINUED ON NEXT FRAME ►

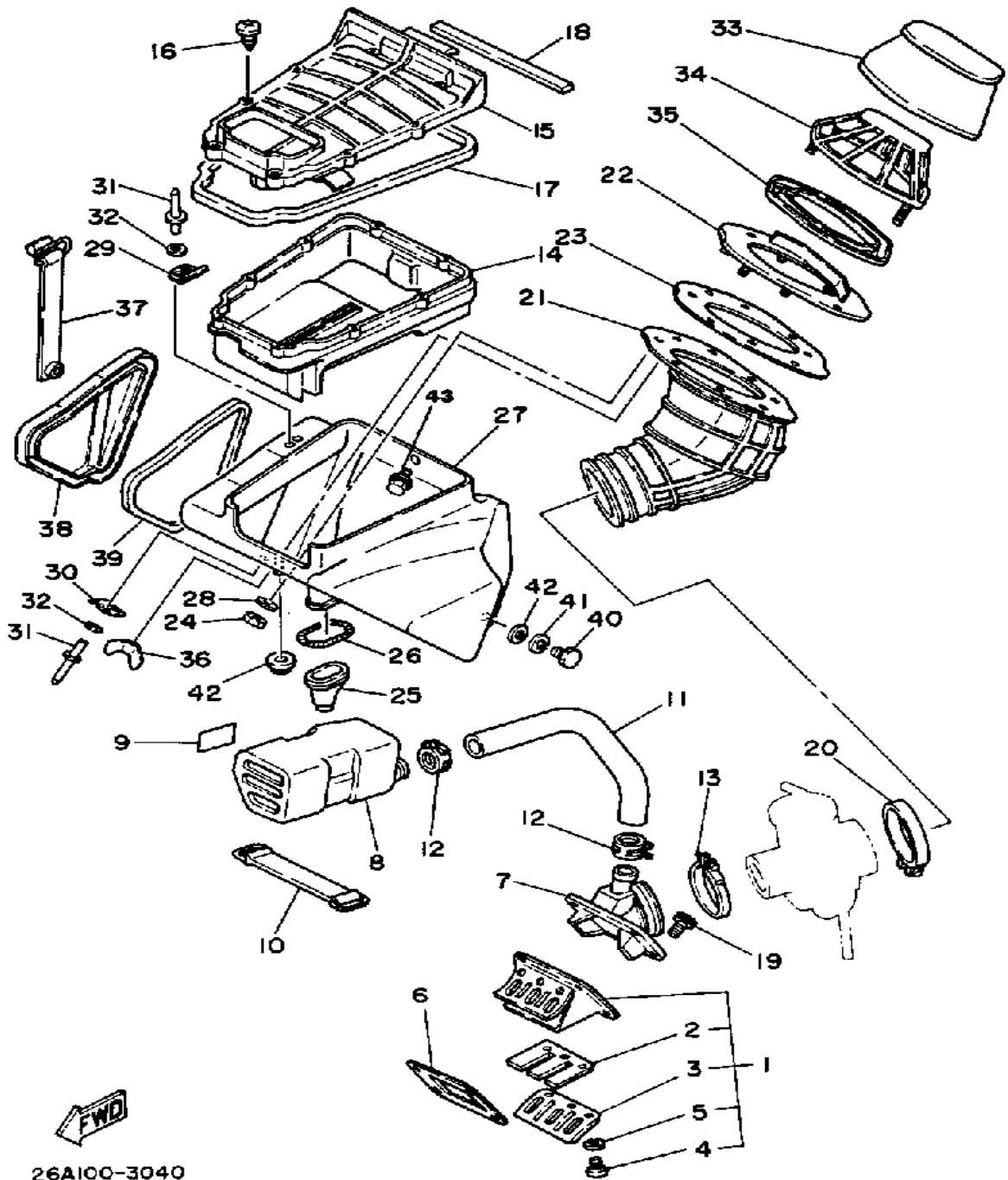
# CRANKSHAFT-PISTON



**FWD**  
26A100-3020

Ref. No.	Part Number	Description	Qty	Remarks
18	5X6-11601-20-00	PISTON RINGSET 2ND (2ND O/S)	1	
	5X6-11601-30-00	PISTON RINGSET 3RD (3RD O/S)	1	
	5X6-11601-40-00	PISTON RINGSET 4TH (4TH O/S)	1	
	90280-03017-00	KEY, WOODRUFF	1	

# AIR FILTER

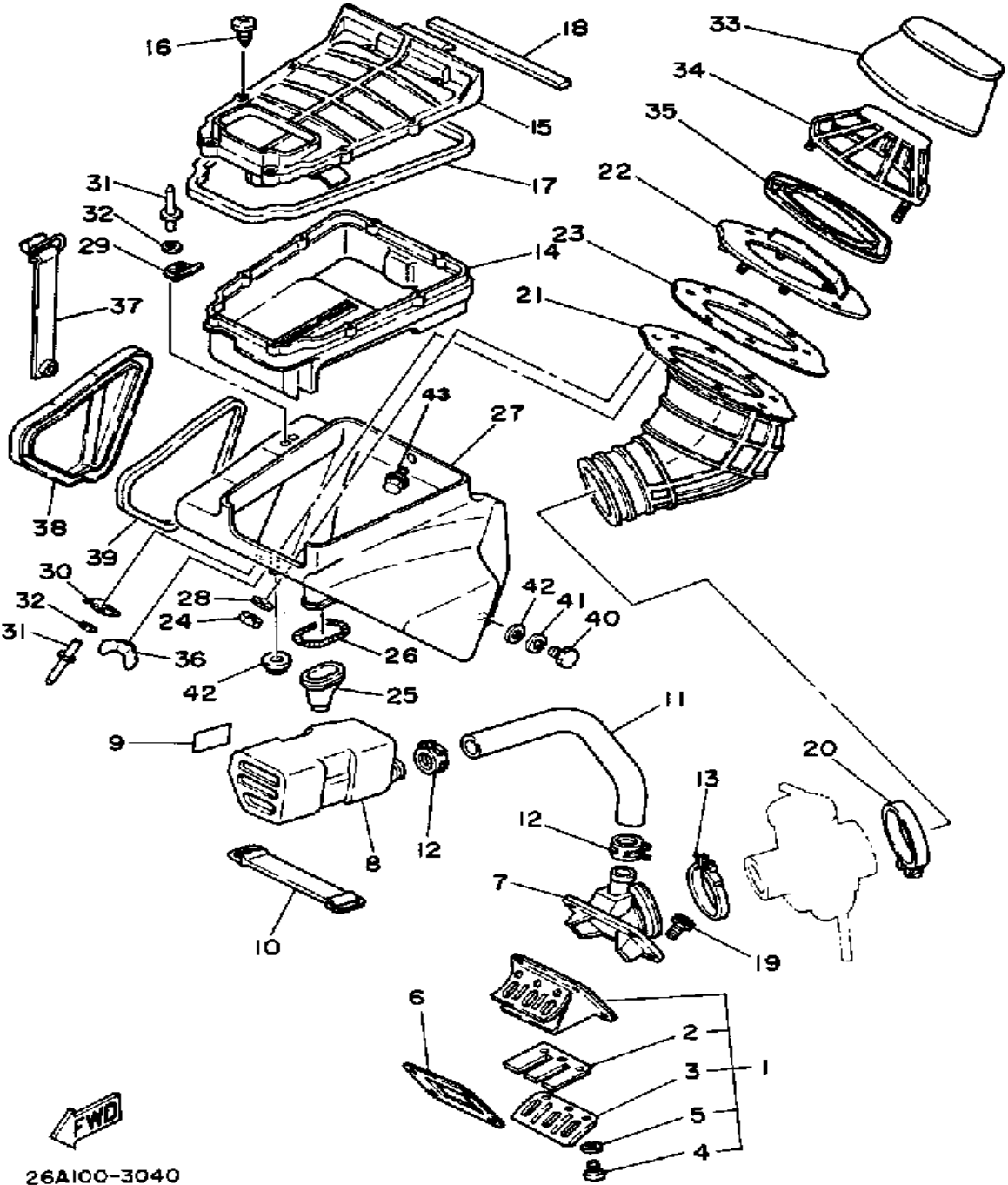


26A100-3040

Ref. No.	Part Number	Description	Qty	Remarks
1	3R5-13610-00-00	REED VALVE ASSEMBLY	1	
2	3R5-13613-00-00	. REED, VALVE	2	
3	2X5-13616-00-00	. STOPPER, REED VALVE	2	
4	98580-03008-00	. SCREW, PAN HEAD	6	
5	92990-03100-00	. WASHER, SPRING (92901-03100)	6	
6	80L-13621-01-00	GASKET, VALVE SEAT	1	
7	23X-13565-00-00	JOINT, CARBURETOR	1	
8	26A-13581-00-00	CHAMBER, AIR	1	
9	4V3-1441K-00-00	EMBLEM	1	
10	26A-13575-00-00	BAND	1	
11	25Y-13584-00-00	PIPE, MANIFOLD	1	
12	90467-23059-00	CLIP, SCISSOR	2	
13	90460-51109-00	CLAMP, HOSE	1	
14	26A-14437-00-00	DUCT	1	
15	26A-14412-00-00	CAP, CLEANER CASE 1	1	
16	97780-40112-00	SCREW, TAPPING	8	
17	26A-14452-00-00	SEAL	1	
18	26A-14467-00-00	SEAL	1	
19	91316-06020-00	BOLT, SOCKET HEAD	4	
20	90460-68231-00	CLAMP, HOSE	1	
21	26A-14453-00-00	JOINT, AIR CLNR 1	1	
22	26A-14477-00-00	PLATE	1	
23	26A-14462-00-00	SEAL	1	
24	95601-05100-00	NUT, U	6	
25	22W-14457-00-00	SEAL	1	
26	90504-03033-00	SPRING, COMPRESSION	1	
27	26A-14411-01-00	CASE, AIR CLEANER 1	1	
28	92990-05200-00	WASHER, PLAIN	6	

CONTINUED ON NEXT FRAME ►

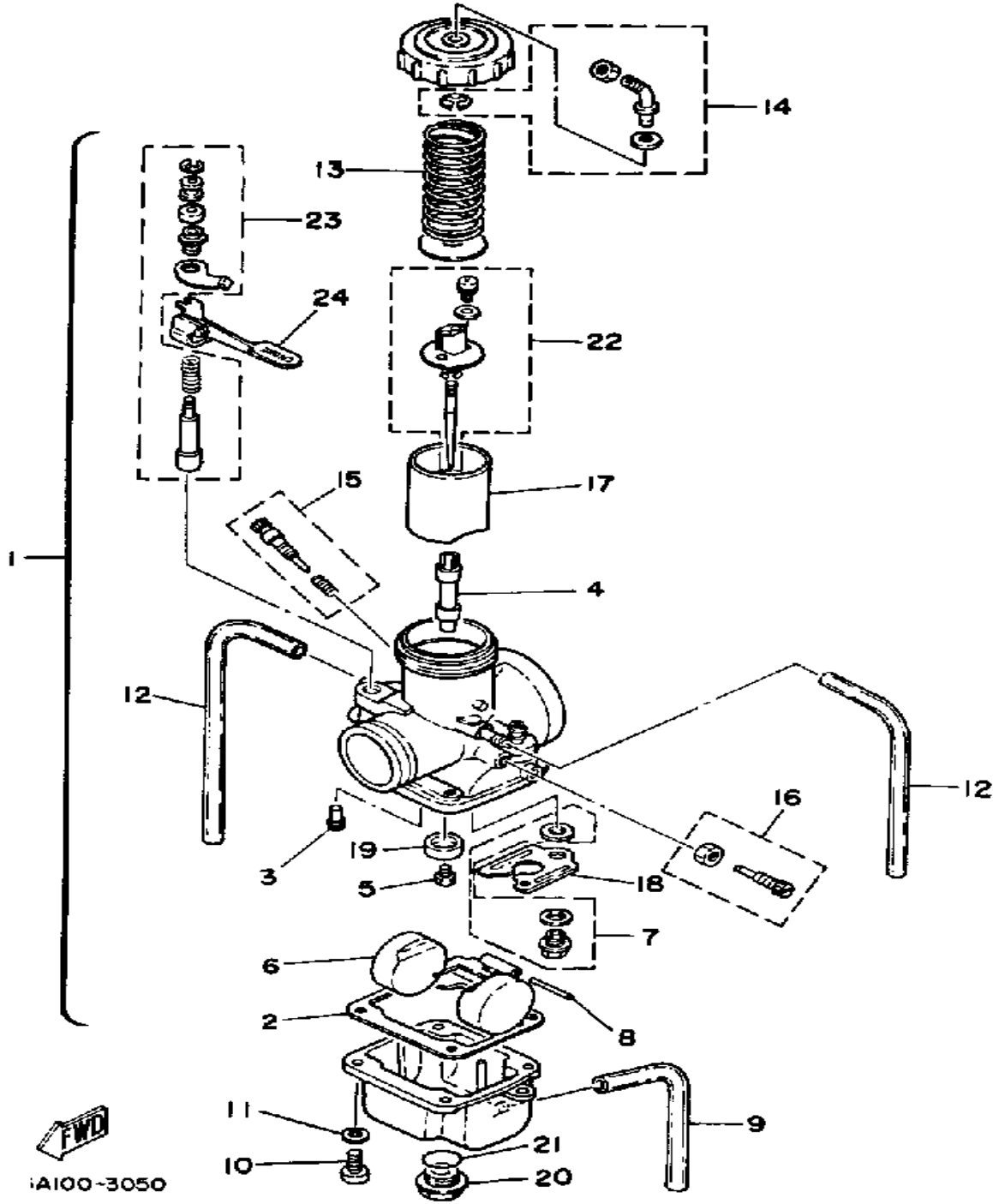
# AIR FILTER



26A100-3040

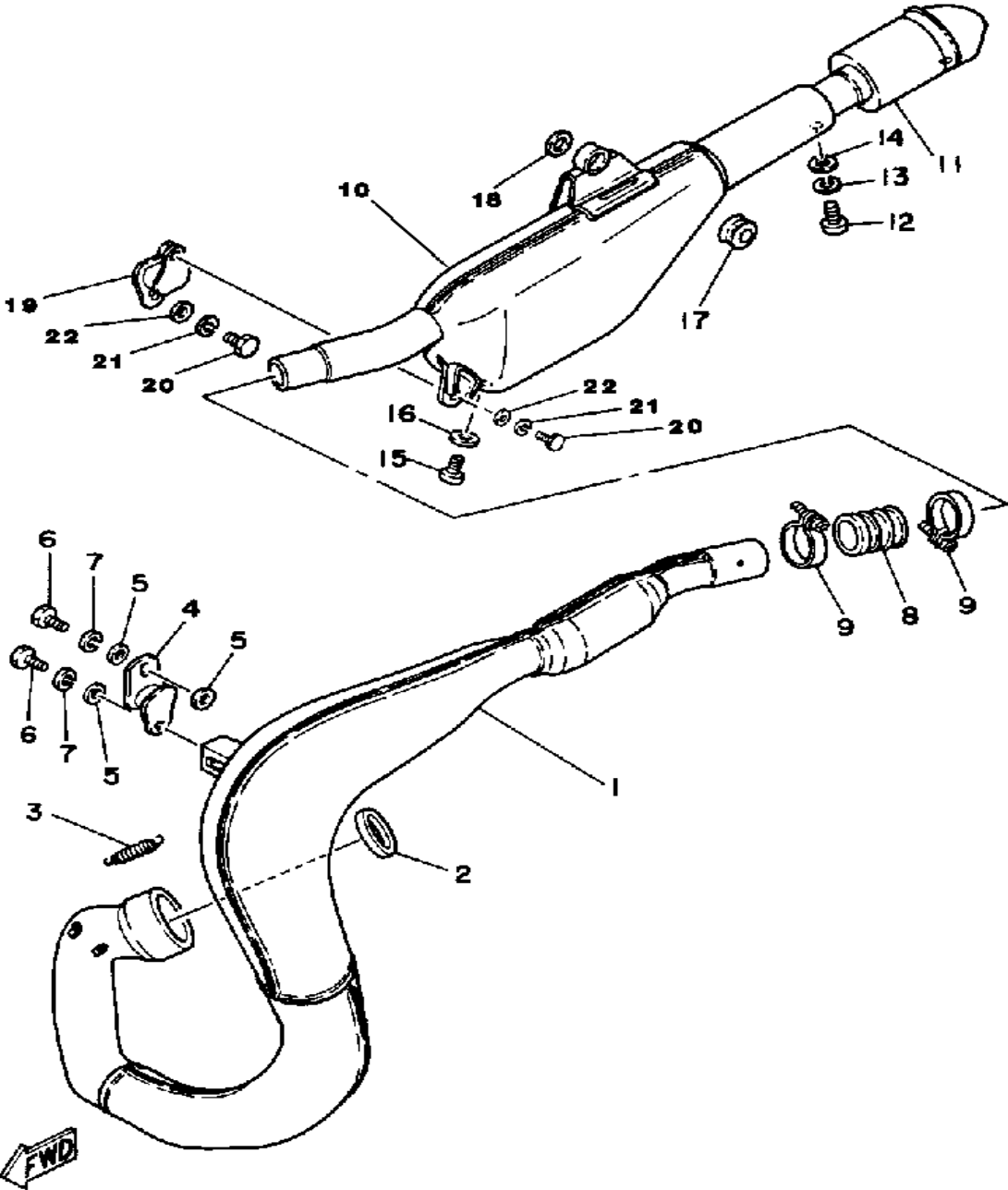
Ref. No.	Part Number	Description	Qty	Remarks
29	26A-14436-00-00	HOOK .....	1	
30	(26A-14484-00-00)	PLATE, CLNR CS FTNG .....	1	
31	90267-40077-00	RIVET, BLIND .....	4	
32	92990-04200-00	WASHER, PLAIN .....	4	
33	26A-W1442-00-00	ELEMENT, AIR CLNR .....	1	
34	26A-14458-00-00	GUIDE, ELEMENT .....	1	
35	26A-14459-00-00	HOLDER, GUIDE .....	1	
36	90175-06008-00	NUT, WING .....	2	
	90175-06015-00	NUT, WING .....	2	
37	26A-14455-00-00	BAND .....	1	
38	26A-14422-00-00	CAP, CLEANER CASE 2 .....	1	
39	26A-14457-00-00	SEAL .....	1	
40	97313-06016-00	BOLT, HEXAGON .....	1	
41	92995-06100-00	WASHER, SPRING .....	1	
42	90201-061A5-00	WASHER, PLATE .....	1	
43	90119-06056-00	BOLT, WITH WASHER .....	1	

# CARBURETOR



Ref. No.	Part Number	Description	Qty	Remarks
1	4V6-14101-10-00	CARBURETOR ASSEMBLY 1	1	
2	363-14184-00-00	. GASKET, FLOAT CHMBR	1	
3	193-14142-50-00	. JET, PILOT (# 50)	1	
4	510-14141-52-00	. NOZZLE, MAIN	1	
5	137-14143-72-00	. JET, MAIN (#360)	1	U.R.
	137-14143-74-00	. JET, MAIN (#370)	1	STD
	137-14143-76-00	. JET, MAIN (#380)	1	U.R.
6	2N7-14185-00-00	. FLOAT	1	
7	23X-14107-35-00	. NEEDLE VALVE SET	1	
8	537-14186-00-00	. PIN, FLOAT	1	
9	3Y3-14196-00-00	. PIPE, OVERFLOW	1	
10	98580-05016-00	. SCREW, PAN HEAD	4	
11	92990-05100-00	. WASHER, SPRING	4	
12	310-14197-00-00	. PIPE, AIRVENT	2	
13	363-14131-00-00	. SPRING, THROTTLE VALVE	1	
14	26A-14106-00-00	. CBLE AJST SCRW SET	1	
15	26A-14104-00-00	. AIR SCREW SET (1W3-14123-00)	1	
16	23X-14103-00-00	. THROTTLE SCREW SET	1	
17	2X8-14112-20-00	. VALVE, THROTTLE 1	1	
18	3R4-14146-00-00	. PLATE	1	
19	2X8-14153-00-00	. WASHER, MAIN JET	1	
20	510-14115-00-00	. PLUG, SCREW	1	
21	558-14147-00-00	. O-RING	1	
22	26A-1490J-00-00	. NEEDLE SET	1	
23	26A-1410A-00-00	. STARTER SET	1	
24	1W3-14175-00-00	. COVER, PLUNGER CAP (1W3-14173-00-00)	1	

# EXHAUST

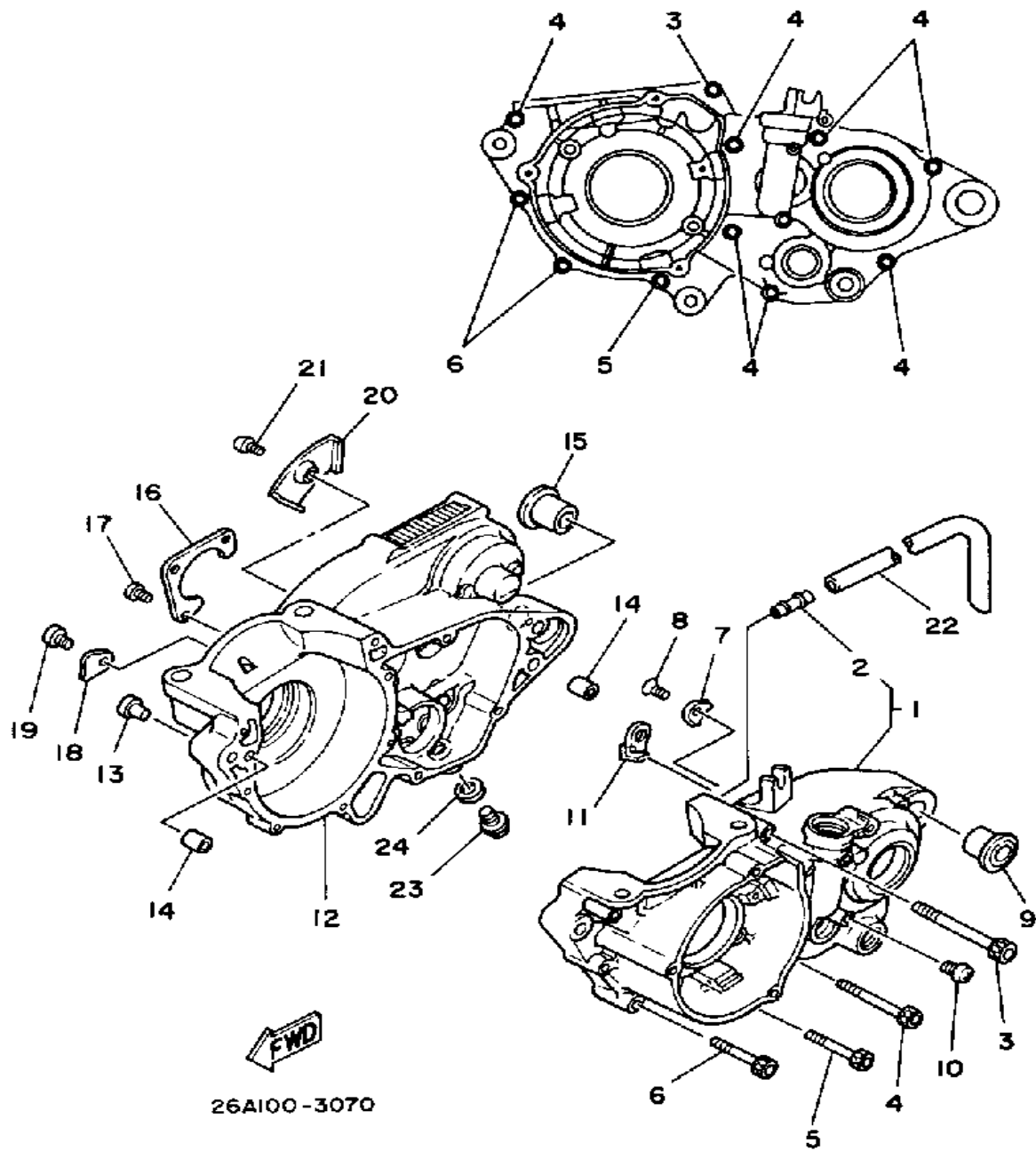


26A100-3060

Ref. No.	Part Number	Description	Qty	Remarks
1	26A-14610-00-00	EXHAUST PIPE ASSEMBLY LASSEMBLY 1	1	
2	3R4-14613-00-00	GASKET, EXST PIPE	1	
3	90507-20030-00	SPRING, TENSION	3	
4	3R4-14781-03-00	STAY, MUFFLER 2 (3R4-14781-01)	1	
5	90201-08730-00	WASHER, PLATE	3	
6	97313-08018-00	BOLT, HEXAGON (97301-08016)	2	
7	92990-08100-00	WASHER	2	
8	1M1-14714-00-00	GASKET, MUFFLER	1	
9	90460-43053-00	CLAMP, HOSE	2	
10	26A-14753-00-00	SILENCER, EXHAUST	1	
11	4V5-14752-00-00	PIPE, OUTLET	1	
12	98580-06012-00	SCREW, PAN HEAD	1	
13	92995-06100-00	WASHER, SPRING	1	
14	90201-061A5-00	WASHER, PLATE	1	
15	98580-06008-00	SCREW, PAN HEAD	1	
16	90202-05187-00	WASHER, PLATE	1	
17	90480-22269-00	GROMMET	1	
18	90201-14218-00	WASHER, PLATE	1	
19	565-14771-00-00	STAY, MUFFLER 1	1	
20	97313-06016-00	BOLT, HEXAGON	2	
21	92995-06100-00	WASHER, SPRING	2	
22	90201-061A5-00	WASHER, PLATE	2	

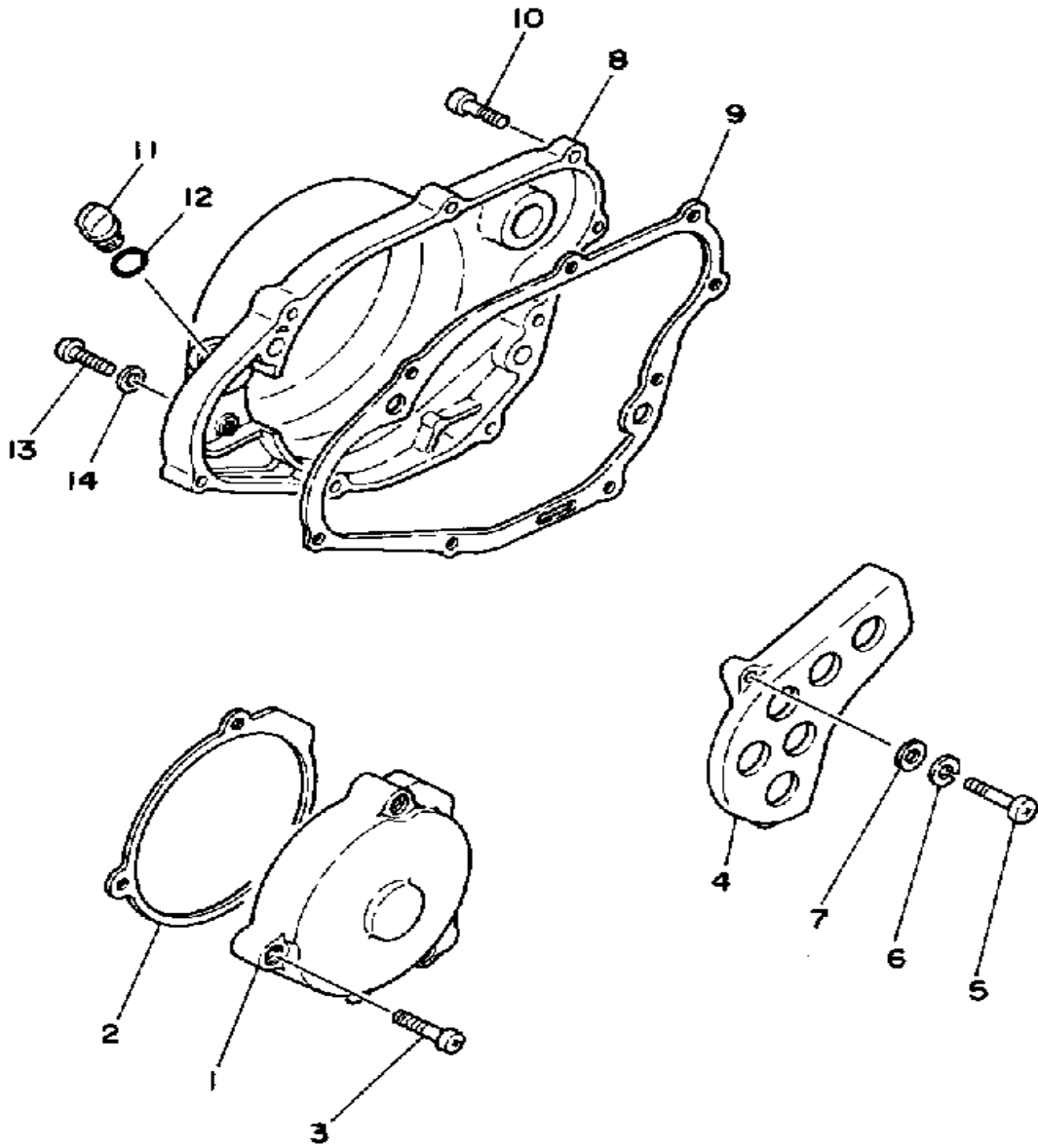


# CRANKCASE



Ref. No.	Part Number	Description	Qty	Remarks
1	3R5-W1511-01-00	CRANKCASE 1	1	
2	137-13115-00-00	. CONNECTOR, SUCTION PIPE	1	
3	91316-06075-00	BOLT, SOCKET HEAD	1	
4	91316-06060-00	BOLT	7	
5	91316-06050-00	BOLT, SOCKET HEAD	1	
6	91316-06045-00	BOLT, SOCKET HEAD	2	
7	3AK-15383-01-00	PLATE, BRNG COVER	1	
8	98603-06012-00	SCREW, OVAL HEAD (92701-06012)	1	
9	90387-160H4-00	COLLAR	1	
10	98516-06012-00	SCREW, PAN HEAD	1	
11	23X-26393-00-00	HOLDER	1	
12	3R5-15121-05-00	CRANKCASE 2	1	
13	90338-07011-00	PLUG, SPEC'L SHAPE	1	
14	99510-12016-00	PIN, DOWEL	4	
15	90387-160H4-00	COLLAR	1	
16	23X-15381-00-00	PLATE, BRNG COVER	1	
17	98580-06012-00	SCREW, PAN HEAD	3	
18	4V4-15118-00-00	HOLDER	1	
19	98580-06010-00	SCREW, PAN HEAD (92503-06010)	1	
20	3R4-15113-00-00	PLATE	1	
21	98580-06012-00	SCREW, PAN HEAD	1	
22	90445-08605-00	HOSE	1	
23	90340-12097-00	PLUG, STRAIGHT SCREW	1	
24	90430-12207-00	GASKET	1	

# CRANKCASE COVER

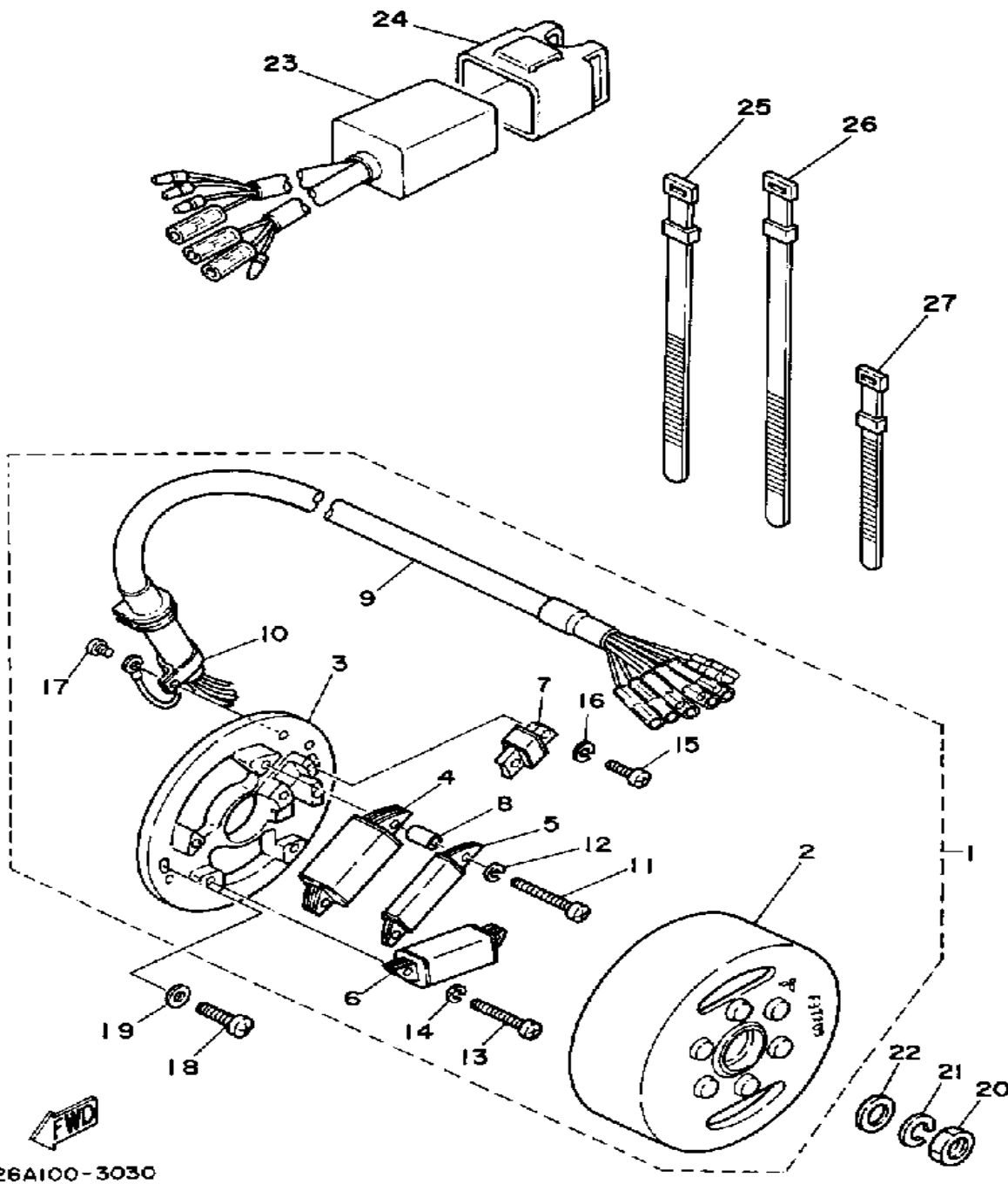


Ref. No.	Part Number	Description	Qty	Remarks
1	3R5-15411-00-00	COVER, CRANKCASE L	1	
2	4V4-15451-00-00	GASKET, CRCS COVERCOVER 1	1	
3	98506-06035-00	SCREW, PAN HEAD	3	
4	26A-15421-00-00	COVER, CRANKCASE R	1	
5	98506-06025-00	SCREW, PAN HEAD	1	
6	92906-06100-00	WASHER, SPRING	1	
7	92906-06600-00	WASHER	1	
8	3R4-15431-02-00	COVER, CRANKCASE 3 (3R4-15431-00)	1	
9	3R4-15462-00-00	GASKET, CRCS CVR 3COVER 3	1	
10	91316-06025-00	BOLT	8	
11	1G8-15362-00-00	PLUG, OIL LEVEL	1	
12	93210-14104-00	O-RING	1	
13	98506-06008-00	SCREW, PAN HEAD (92506-06008-00)	1	
14	90430-06016-00	GASKET	1	



26A100-3080

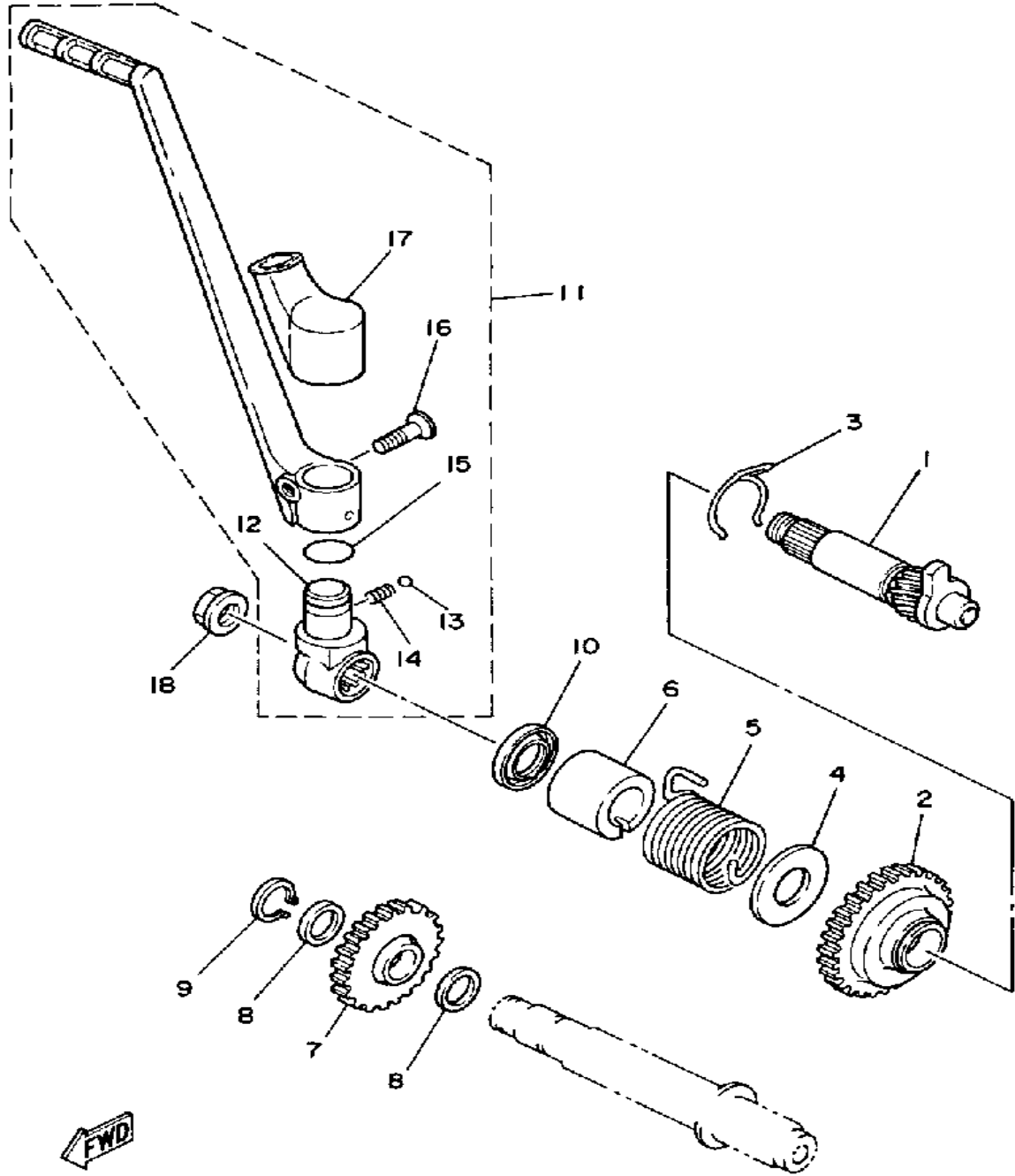
# GENERATOR



Ref. No.	Part Number	Description	Qty	Remarks
1	4V6-85500-20-00	CDI MAGNETO ASSEMBLY ...	1	
2	3R5-85550-20-00	. ROTOR ASSEMBLY .....	1	
3	3R5-85509-20-00	. BASE, MAGNETO .....	1	
4	3R5-85511-20-00	. COIL SOURCE 1 .....	1	
5	3R5-85512-20-00	. COIL SOURCE 2 .....	1	
6	4V6-85513-20-00	. COIL, LIGHTING 1 .....	1	
7	4V6-85580-20-00	. COIL, PULSER .....	1	
8	1W2-85516-20-00	. SPACER .....	2	
9	(4V6-85515-20-00)	LEAD WIRE ASSEMBLY .....	1	
10	104-81328-20-00	. CLAMP .....	1	
11	98501-04035-00	. SCREW, PAN HEAD .....	2	
12	92901-04100-00	. WASHER, SPRING .....	2	
13	98511-04030-00	. SCREW, PAN HEAD .....	2	
14	92901-04100-00	. WASHER, SPRING .....	2	
15	98503-04014-00	. SCREW, PAN HEAD .....	2	
16	92901-04100-00	. WASHER, SPRING .....	2	
17	97601-04106-00	. SCREW, PN/HD.W/WSHR ...	1	
18	98580-06020-00	SCREW .....	2	
19	90201-061A5-00	WASHER, PLATE .....	2	
20	90170-12347-00	NUT, HEXAGON .....	1	
21	92901-12100-00	WASHER, SPRING .....	1	
22	90201-12593-00	WASHER, PLATE .....	1	
23	2W6-85540-20-00	CDI UNIT ASSEMBLY .....	1	
24	2A7-85546-00-00	BAND .....	1	
25	437-83936-11-00	BAND, SWITCH CORD .....	1	
26	25G-83936-01-00	BAND, SWITCH CORD .....	1	
27	437-83936-01-00	BAND, SWITCH CORD .....	1	

26A100-3030

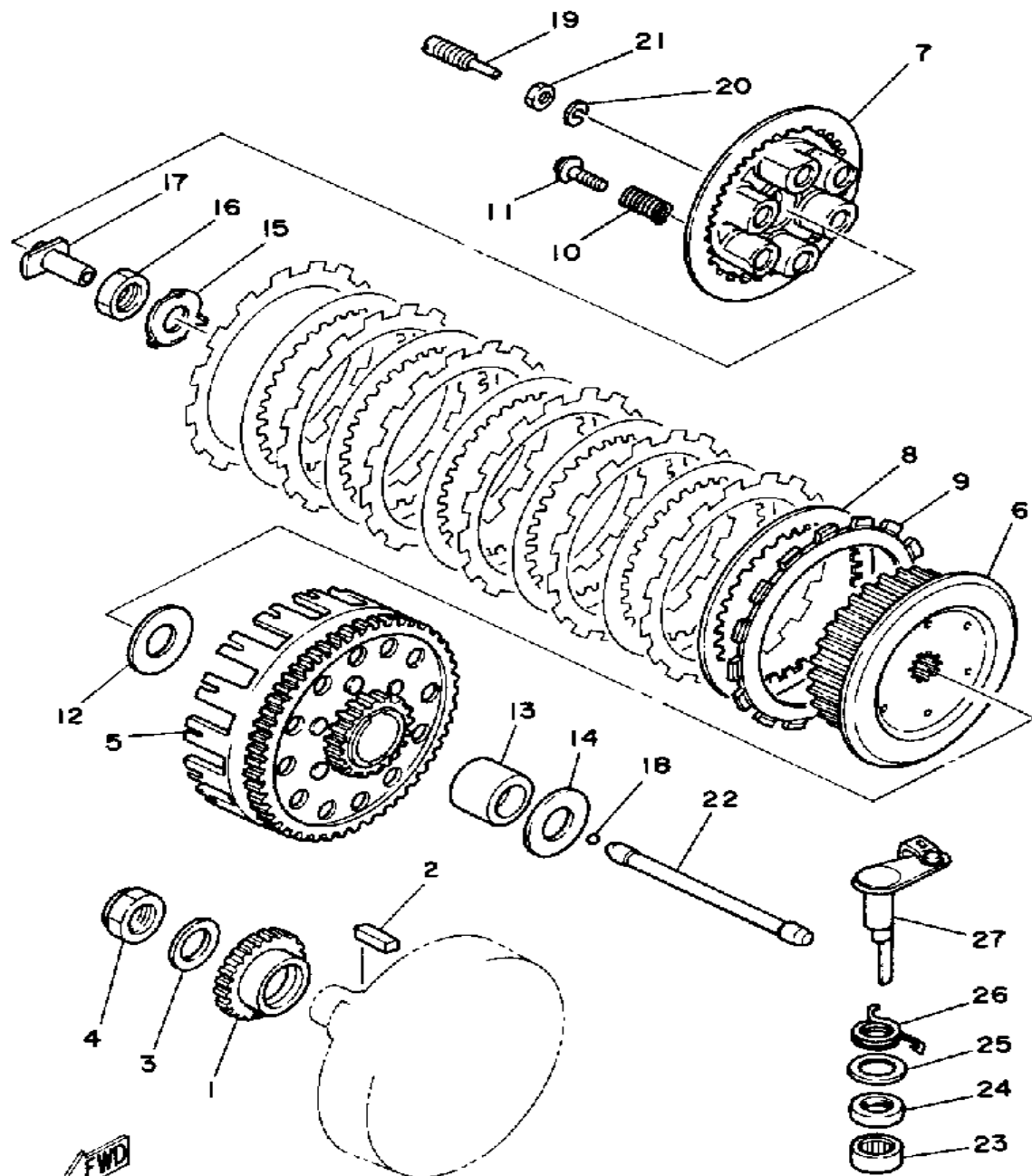
# STARTER



Ref. No.	Part Number	Description	Qty	Remarks
1	57H-15660-00-00	UNAVAILABLE IN PRICE BOOK (23X-15660-00)	1	
2	23X-15641-00-00	GEAR, KICK	1	
3	90468-26048-00	CLIP	1	
4	90201-20358-00	WASHER, PLATE	1	
5	90508-30422-00	SPRING, TORSION	1	
6	3R4-15664-00-00	GUIDE, SPRING	1	
7	23X-15651-00-00	GEAR, KICK IDLE	1	
8	90201-17545-00	WASHER, PLATE	2	
9	99009-17400-00	CIRCLIP	1	
10	93102-20309-00	SEAL, OIL	1	
11	26A-15620-01-00	KICK CRANK ASSEMBLY	1	
12	26A-15621-00-00	. BOSS, KICK CRANK	1	
13	93501-04011-00	. BALL	1	
14	90501-13720-00	. SPRING, COMPRESSION	1	
15	93210-19501-00	. O-RING	1	
16	90157-06048-00	. SCREW, PAN HEAD - (90152-06010)	1	
17	23X-15618-00-00	. COVER, KICK LEVER	1	
18	90179-12244-00	NUT, SPEC'L SHAPE	1	

**FWD**  
26A100-3090

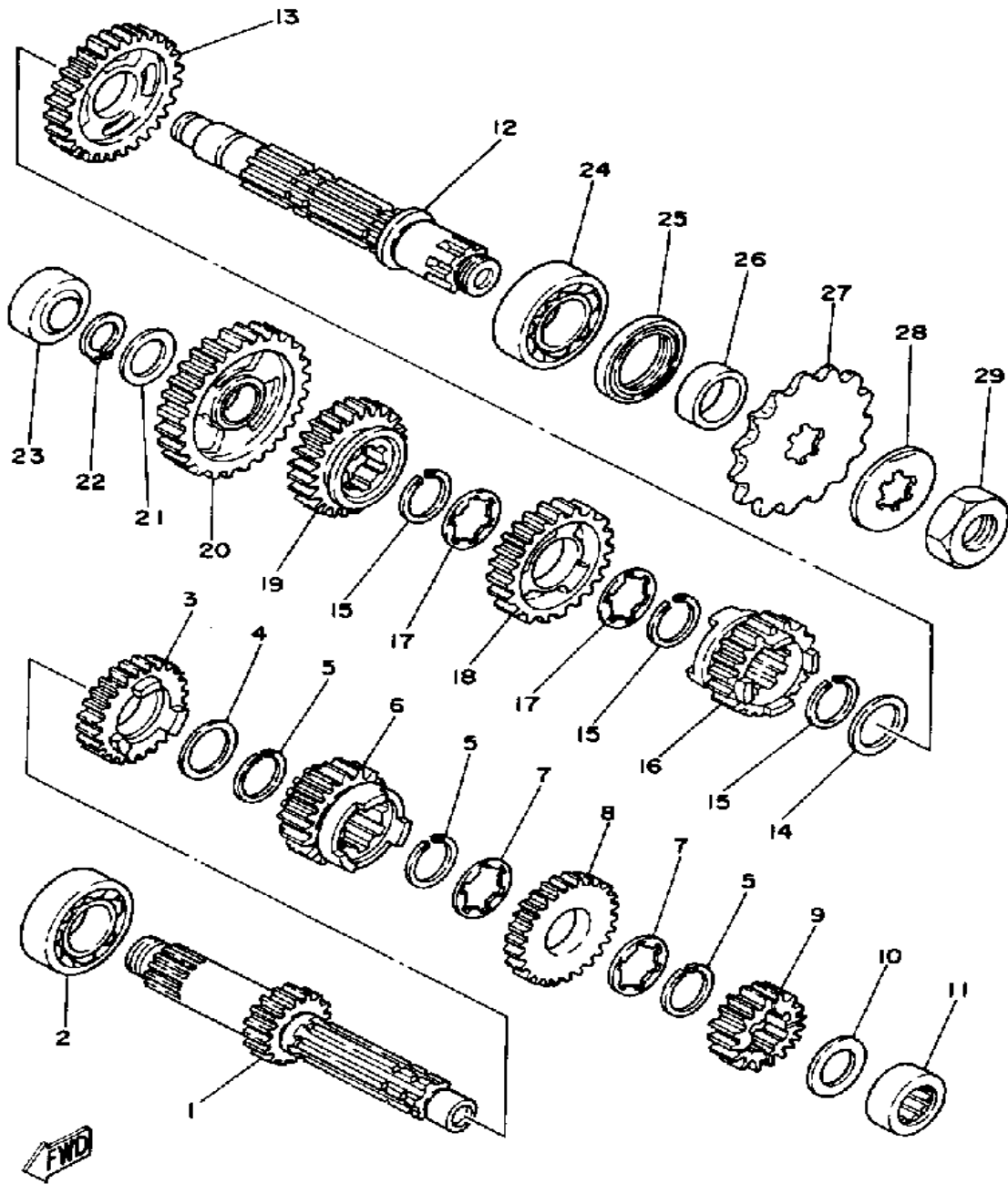
# CLUTCH



26A100-3100

Ref. No.	Part Number	Description	Qty	Remarks
1	23X-16111-00-00	GEAR, PRI DRIVE	1	
2	90282-07019-00	KEY, STRAIGHT	1	
3	92901-18100-00	WASHER, SPRING	1	
4	90170-18089-00	NUT, HEXAGON	1	
5	39X-16150-00-00	PRI DRVN GEAR	1	GEAR COMP.
6	23X-16371-00-00	BOSS, CLUTCH	1	
7	23X-16351-00-00	PLATE, PRESSURE 1	1	
8	4H7-16325-00-00	PLATE, CLUTCH 2	6	
9	5X5-16321-00-00	PLATE, FRICTION	7	
10	90501-24408-00	SPRING, COMPRESSION	6	
11	90159-06016-00	SCREW, WITH WASHER	6	
12	2K7-16154-00-00	PLATE, THRUST 1	1	
13	2K7-16181-00-00	SPACER 1	1	
14	2K7-16154-00-00	PLATE, THRUST 1	1	
15	90215-20212-00	WASHER, LOCK	1	
16	90170-20255-00	NUT	1	
17	23X-16356-00-00	ROD, PUSH 1	1	
18	93515-32029-00	BALL	1	
19	90149-06179-00	SCREW, SPEC'L SHAPE	1	
20	92995-06100-00	WASHER, SPRING	1	
21	95380-06600-00	NUT	1	
22	3R5-16357-01-00	ROD, PUSH 2	1	
23	93315-21721-00	BEARING, CYLINDER.# 5	1	
24	93102-17263-00	OIL SEAL	1	
25	90201-17327-00	WASHER, PLATE	1	
26	90508-14423-00	SPRING, TORSION	1	
27	4V4-16380-00-00	PUSH LEVER ASSEMBLY	1	

# TRANSMISSION

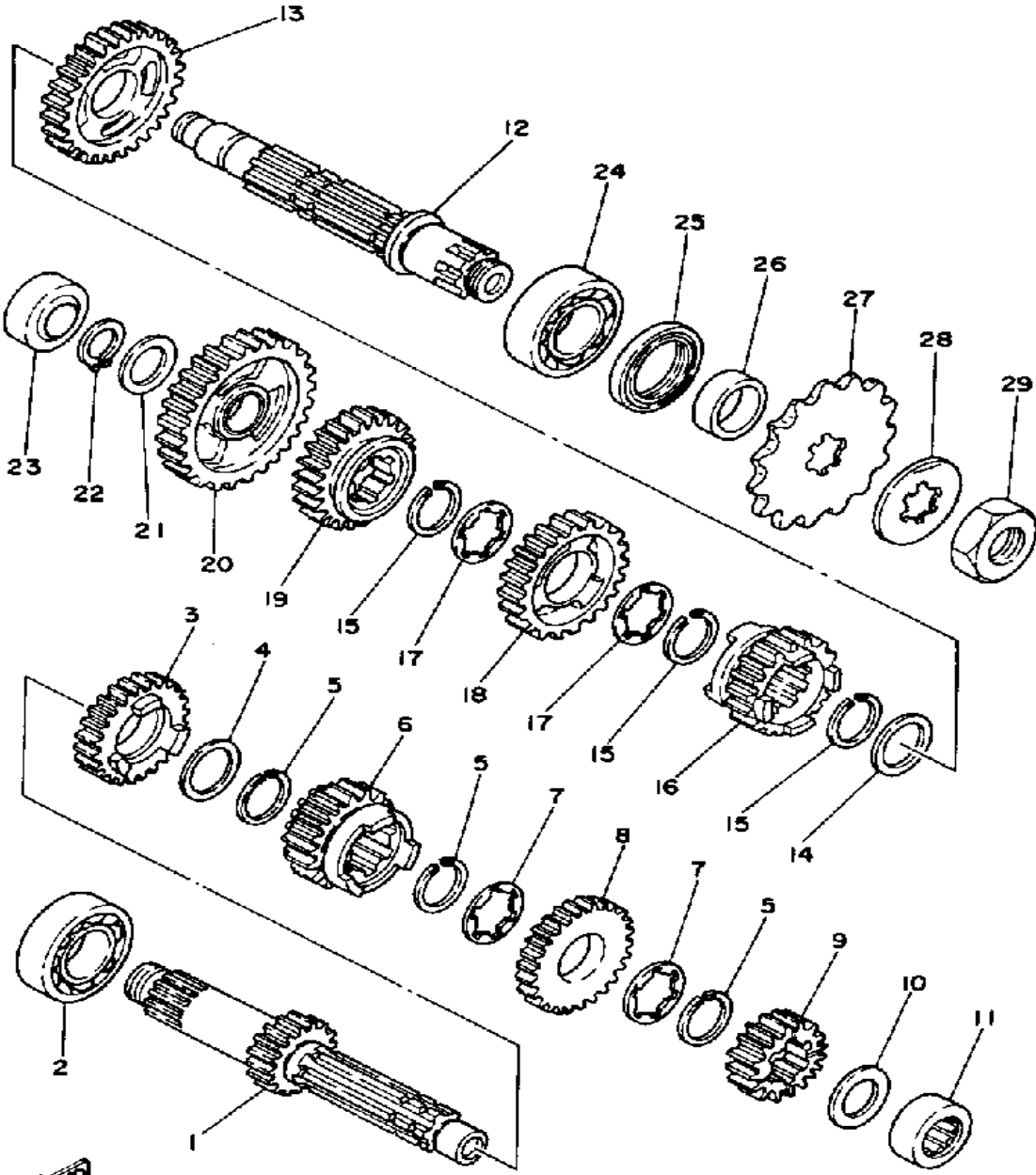


26A100-3110

Ref. No.	Part Number	Description	Qty	Remarks
1	4V6-17411-00-00	AXLE, MAIN	1	
2	93300-20501-00	BEARING	1	
3	4V6-17141-01-00	GEAR, 4TH PINION	1	
4	90201-253K0-00	WASHER, PLATE (T=1.0)	1	
5	93440-25084-00	CIRCLIP	3	
6	3R5-17131-02-00	GEAR, 3RD PINION	1	
7	90209-22082-00	WASHER (0.5T)	2	
8	4V6-17151-01-00	GEAR, 5TH PINION	1	
9	5L5-17121-01-00	GEAR, 2ND PINION	1	
10	90201-20276-00	WASHER, PLATE (1.0T)	1	
11	93311-62035-00	BEARING, CYLINDER.# 1	1	
12	3R5-17421-00-00	AXLE, DRIVE	1	
13	4V6-17221-01-00	GEAR, 2ND WHEEL	1	
14	90201-253K0-00	WASHER, PLATE (T=1.0)	1	
15	93440-25084-00	CIRCLIP	3	
16	4V6-17251-01-00	GEAR, 5TH WHEEL	1	
17	90209-22082-00	WASHER (0.5T)	2	
18	3R5-17231-03-00	GEAR, 3RD WHEEL	1	
19	4V6-17241-01-00	GEAR, 4TH WHEEL	1	
20	4V6-17211-01-00	GEAR, 1ST WHEEL	1	
21	90201-20278-00	WASHER, PLATE	1	
22	93410-20038-00	CIRCLIP	1	
23	93311-62035-00	BEARING, CYLINDER.# 1	1	
24	93300-20501-00	BEARING	1	
25	93102-32M07-00	OIL SEAL	1	
26	90387-25663-00	COLLAR	1	
27	93834-13030-00	SPROCKET, DRIVE 13T (23X1746130)	1	ALT. PART
	93834-14051-00	SPROCKET, DRIVE (23X-17461-40)	1	STD

CONTINUED ON NEXT FRAME ➤

# TRANSMISSION

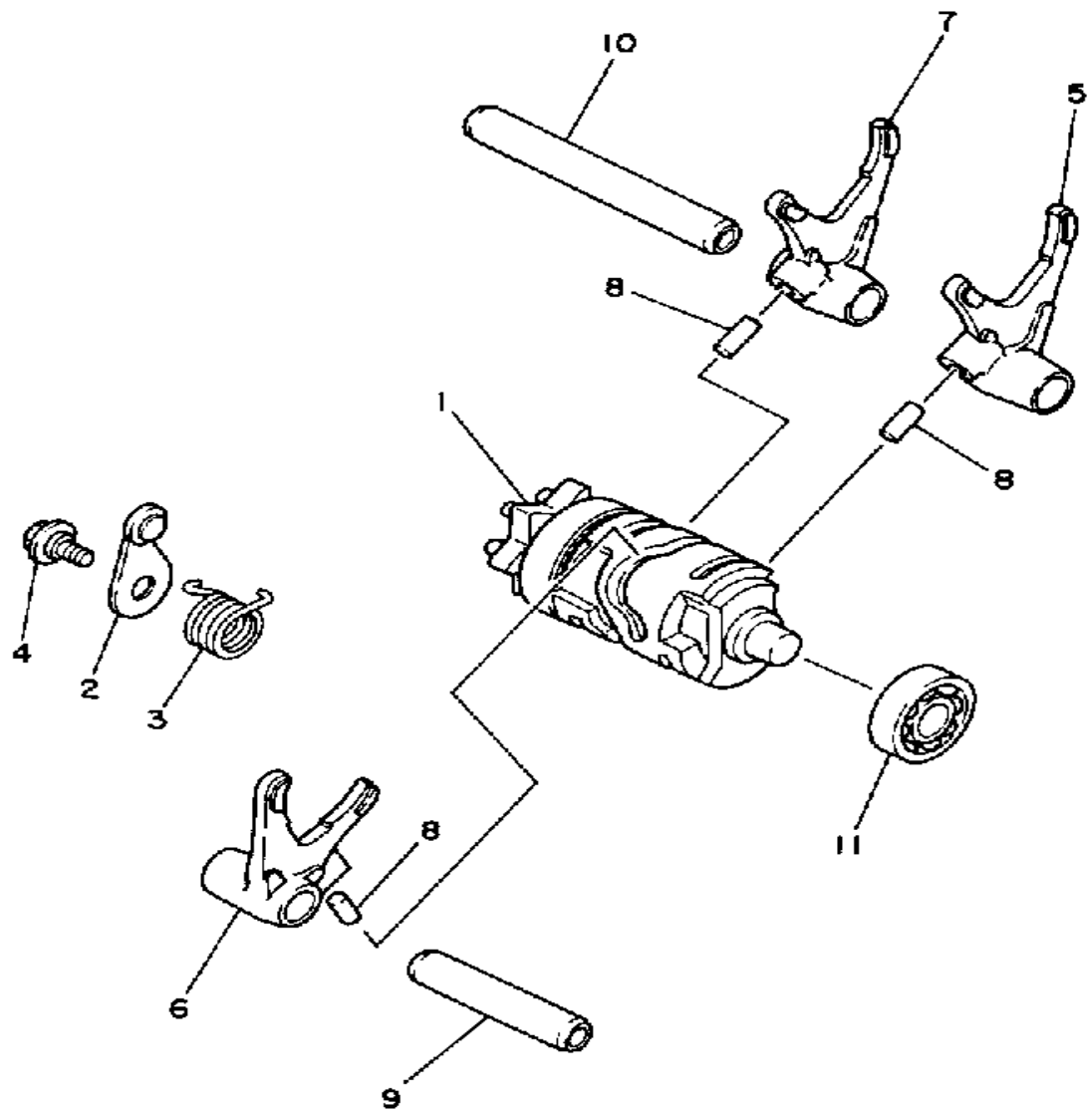


26A100-3110

Ref. No.	Part Number	Description	Qty	Remarks
27	93834-15078-00	SPROCKET, DRIVE	1	ALT. PART
28	90215-21239-00	WASHER, LOCK	1	
29	90179-20255-00	NUT	1	

# SHIFT CAM-FORK

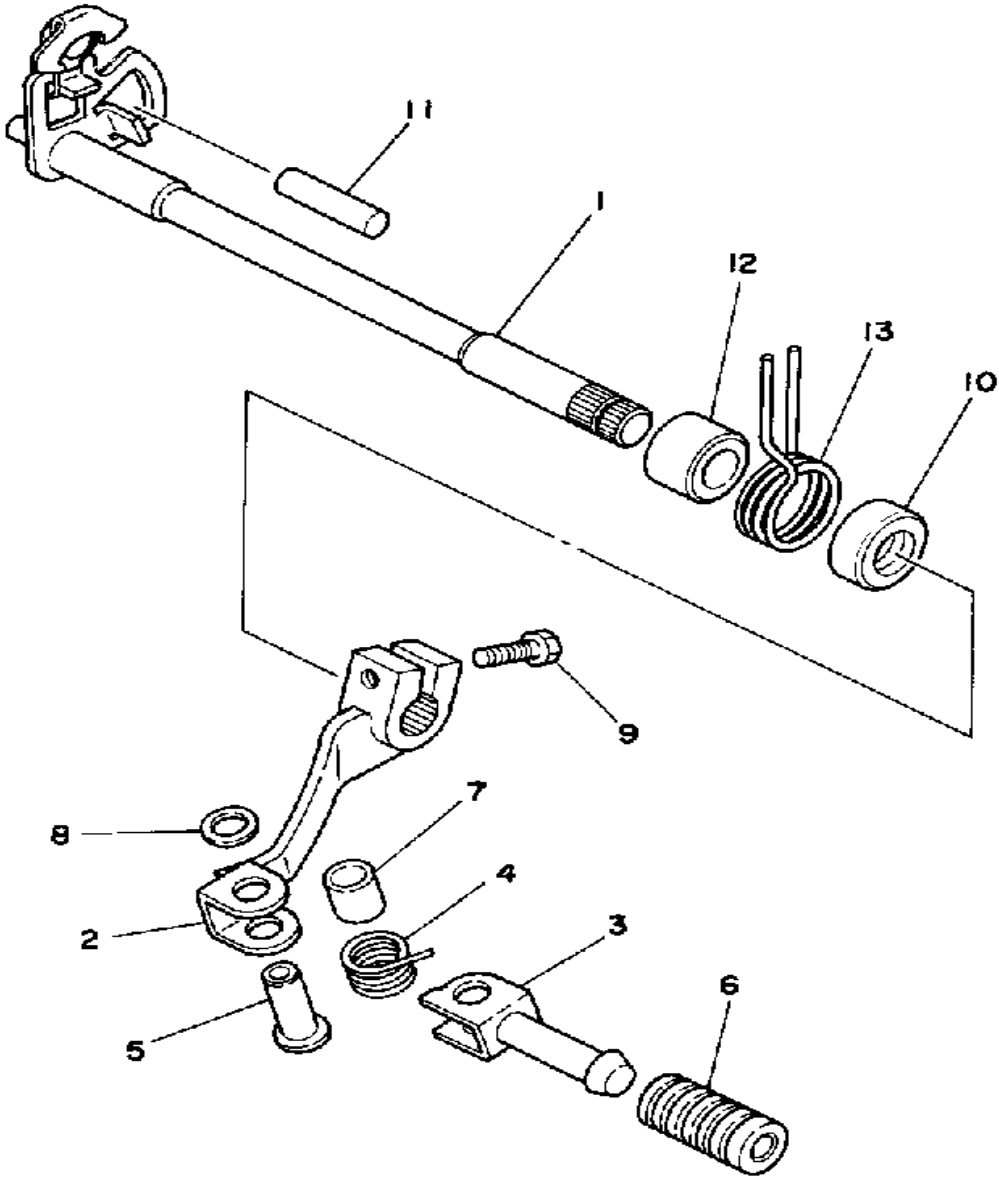
Ref. No.	Part Number	Description	Qty	Remarks
1	24Y-18540-00-00	SHIFT CAM ASSEMBLY	1	
2	3R4-18140-00-00	STOPPER LEVER ASSEMBLY	1	
3	90508-26421-00	SPRING, TORSION	1	
4	50W-21631-00-00	BOLT 1	1	
5	3R5-18511-00-00	FORK, SHIFT 1 (250H)	1	
6	3R5-18512-00-00	FORK, SHIFT 2	1	
7	3R5-18513-00-00	FORK, SHIFT 3 (250G)	1	
8	93606-14154-00	PIN, DOWEL	3	
9	5X5-18531-01-00	BAR, SHIFT FORK GUIDE 1	1	
10	5X5-18535-00-00	BAR, SHIF FRK GDE 2	1	
	5X5-18535-01-00	BAR, SHIF FRK GDE 2	1	
11	93306-20110-00	BEARING (B6201)	1	



26A100-3120



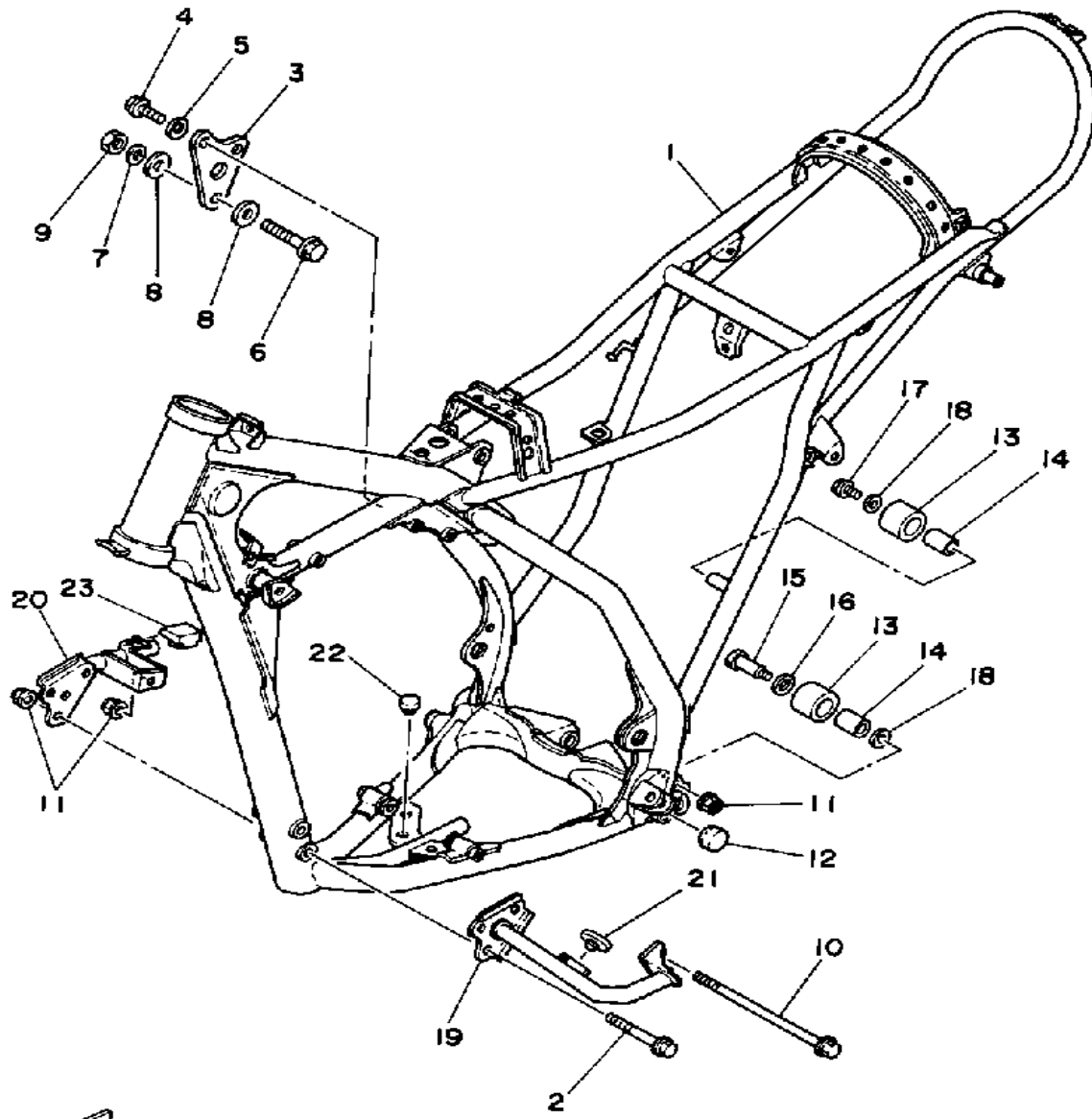
# SHIFT SHAFT



Ref. No.	Part Number	Description	Qty	Remarks
1	23X-18101-01-00	SHIFT SHAFT ASSEMBLY 1	1	
2	5X6-18110-00-00	PEDAL, SHIFT	1	
3	(5X4-18162-00-00)	PEDAL, SHIFT	1	
4	90508-16558-00	SPRING, TORSION (90508-14516)	1	
5	90243-08020-00	PIN	1	
6	1W6-18113-00-00	COVER, SHIFT PEDAL	1	
7	90446-11180-00	HOSE	1	
8	90201-06042-00	WASHER, PLATE	1	
9	97011-06020-00	BOLT	1	
10	93102-12321-00	OIL SEAL, SD-TYPE	1	
11	93608-25150-00	PIN, DOWEL	1	
12	90560-12171-00	SPACER	1	
13	90508-29361-00	SPRING, TORSION	1	



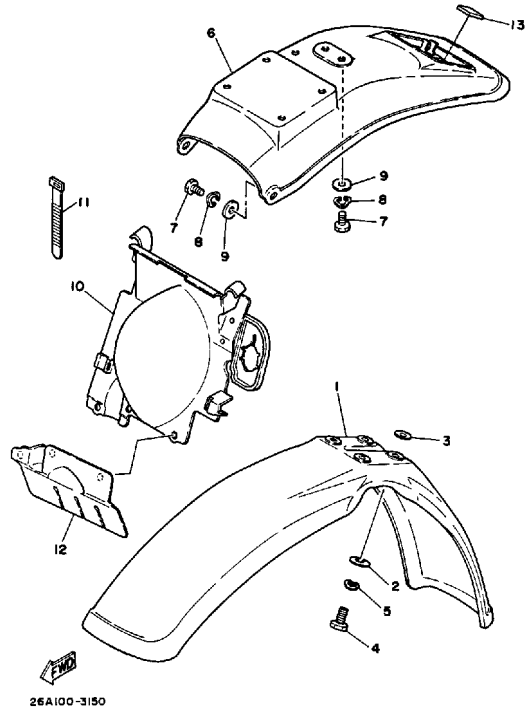
26A100-3130



26A100-3140

# FRAME

Ref. No.	Part Number	Description	Qty	Remarks
1	(26A-21110-00-33)	FRAME .....	1	YAMAHA BLK
2	95811-08070-00	BOLT, FLANGE .....	3	
3	23X-21425-01-00	BRACKET, REAR UPR 1 .....	1	
4	95821-08025-00	BOLT, FLANGE .....	2	
5	90202-08022-00	WASHER, PLATE .....	2	
6	95811-10060-00	BOLT, FLANGE .....	1	
7	92990-10200-00	WASHER, PLAIN .....	1	
8	90201-100A1-00	WASHER, PLATE .....	2	
9	95601-10200-00	NUT, SELF-LOCKING .....	1	
10	95811-08175-00	BOLT, FLANGE .....	1	
11	95601-08200-00	NUT, U .....	4	
12	90336-25040-00	PLUG, TAPER .....	1	
13	30X-22178-00-00	TENSIONER .....	2	
14	4V4-22184-00-00	BUSH .....	2	
15	90109-08733-00	BOLT .....	1	
16	90201-13202-00	WASHER, PLATE .....	1	
17	95811-08016-00	BOLT, FLANGE .....	1	
18	90201-08753-00	WASHER, PLATE .....	2	
19	26A-2147A-00-33	GUARD, ENGINE 1 .....	1	YAMAHA BLK
20	(26A-2147E-00-33)	GUARD, ENGINE 2 .....	1	YAMAHA BLK
21	2J5-21732-00-00	SEAL 1 .....	1	
22	22W-24181-00-00	DAMPER, LOCATING 1 .....	2	
23	26A-21485-00-00	DAMPER, RUBBER 1 .....	1	

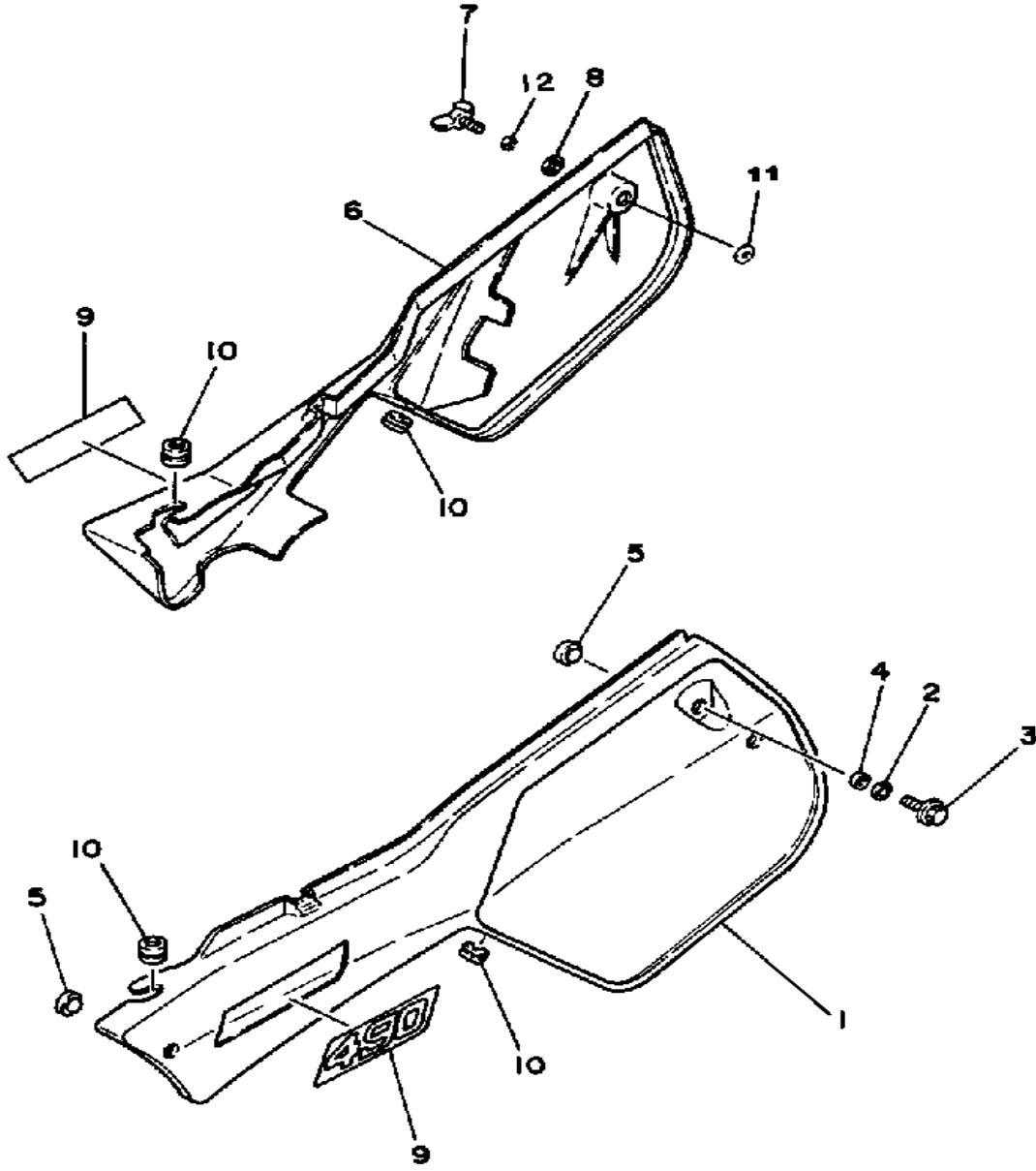


# FENDER

Ref. No.	Part Number	Description	Qty	Remarks
1	3R9-21511-11-00	FENDER, FRONT .....	1	SKY BLUE
2	90201-06571-00	WASHER, PLATE .....	4	
3	90209-06187-00	WASHER .....	4	
	90387-06681-00	COLLAR .....	4	
4	97023-06020-00	BOLT (3XF) .....	4	
5	92901-06700-00	WASHER, WAVE (92902-06700)	4	
6	26A-21610-00-00	FENDER, REAR .....	1	SKY BLUE
7	97313-06016-00	BOLT, HEXAGON .....	4	
8	92901-06700-00	WASHER, WAVE (92902-06700)	4	
9	90201-06571-00	WASHER, PLATE .....	4	
10	26A-21620-00-00	GUARD, MUD .....	1	
11	437-83936-01-00	BAND, SWITCH CORD .....	2	
12	23X-21642-00-00	GUARD, FLAP .....	1	
13	2H7-21628-00-00	DAMPER 1 (4U5-2317J-00) ...	1	

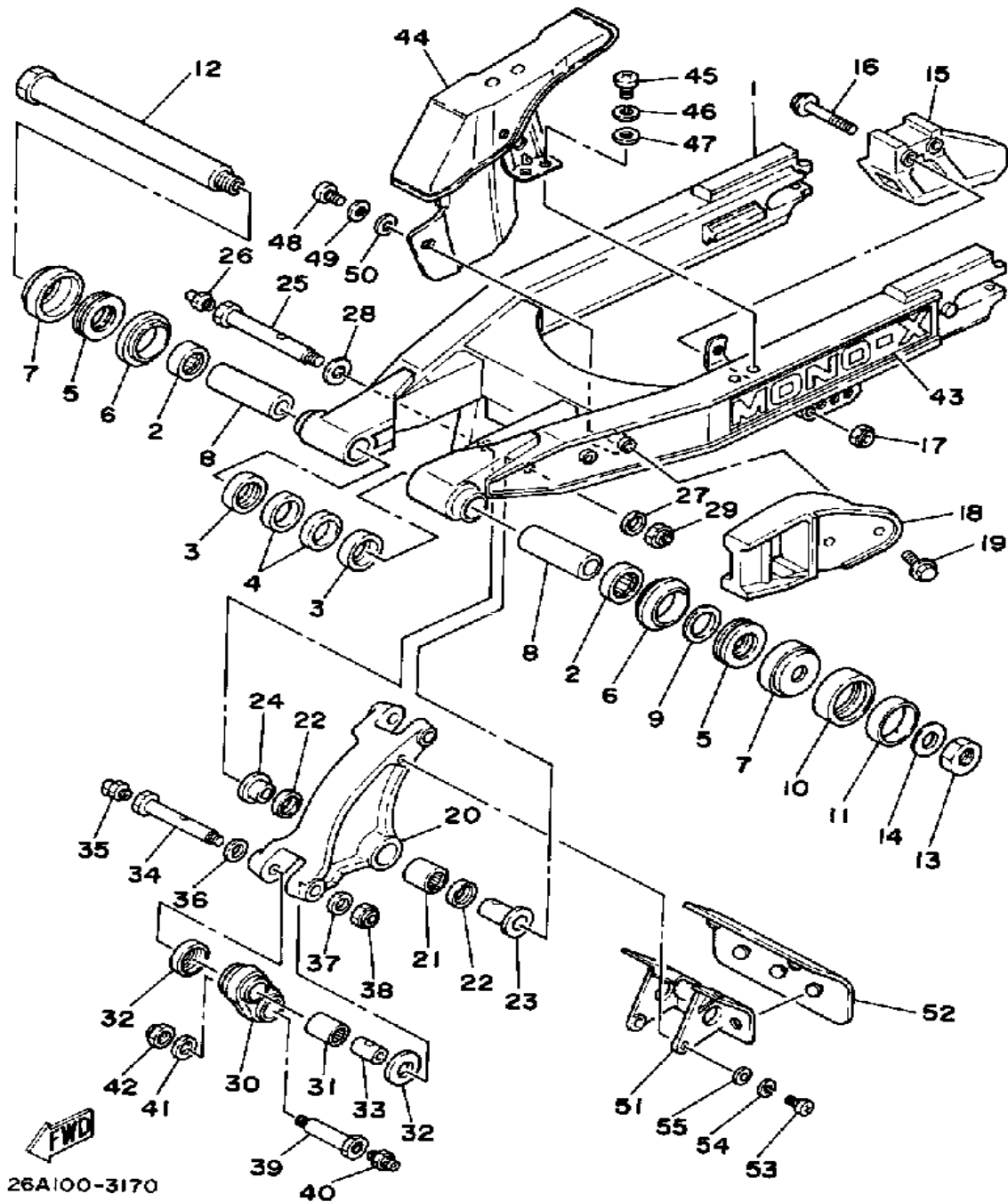
# SIDE COVER

Ref. No.	Part Number	Description	Qty	Remarks
1	26A-21711-00-26	COVER, SIDE 1	1	COMP. YEL KY BLUE
2	92990-08200-00	WASHER, PLAIN	1	
3	95821-08020-00	BOLT, FLANGE (95801-08020)	1	
4	90387-083J6-00	COLLAR	1	
5	22W-24181-00-00	DAMPER, LOCATING 1	2	
6	26A-21721-00-26	COVER, SIDE 2	1	COMP. YEL SKY BLUE
7	90122-06019-00	BOLT, WING	1	
8	90201-06571-00	WASHER, PLATE	1	
9	26A-21737-00-00	EMBLEM	2	
10	90480-12053-00	GROMMET	4	
11	90179-06013-00	NUT, SPEC'L SHAPE	1	
12	92995-06100-00	WASHER, SPRING	1	



26A100-3160

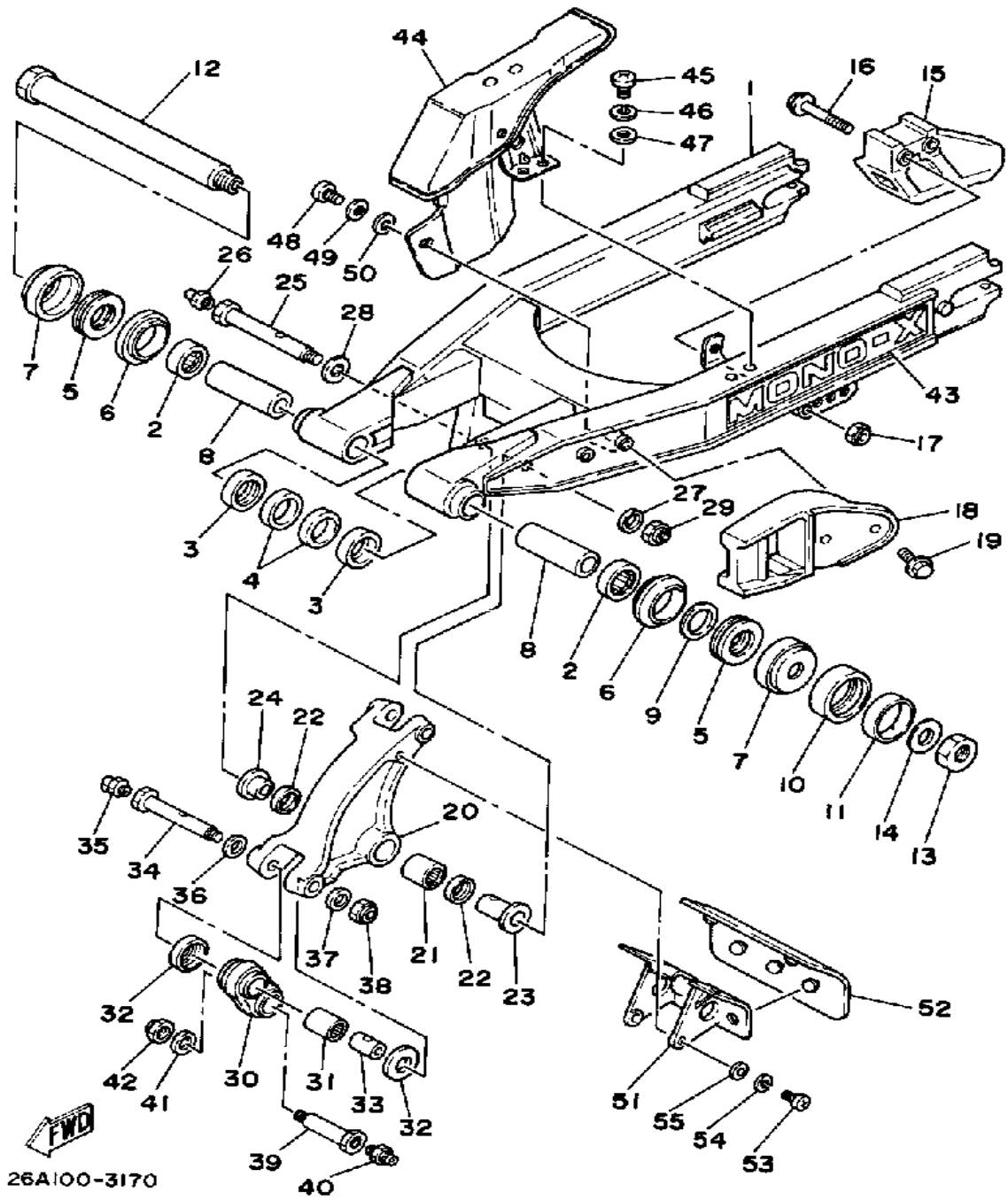
# SWING ARM



Ref. No.	Part Number	Description	Qty	Remarks
1	(26A-22110-00-35)	REAR ARM	1	SILVER
2	93317-32231-00	BEARING	2	U.R.
3	90380-22111-00	BUSH, SOLID	2	
4	93106-22019-00	OIL SEAL (DC 22-28-8)	2	
5	93342-22208-00	BEARING, FLAT # 2	2	
6	93108-35004-00	OIL SEAL (35-41-8)	2	
7	3R4-22129-00-00	COVER, THRUST 2	2	
8	90380-16077-00	BUSH, SOLID	2	
9	240-22127-00-00	SHIM	1	U.N.
10	24X-22151-00-00	SEAL, GUARD	1	
11	90387-440G3-00	COLLAR	1	
12	5X6-22141-01-00	SHAFT, PIVOT	1	
13	90170-16111-00	NUT, HEXAGON	1	
	90185-16127-00	NUT, SELF-LOCKING	1	
14	90201-160F6-00	WASHER, PLATE	1	
15	23X-22199-00-00	SUPPORT, CHAIN	1	
16	95811-08055-00	BOLT, FLANGE	2	
17	95601-08200-00	NUT, U	2	
18	5X6-22147-01-00	PROTECTOR, CHAIN	1	
19	95811-06016-00	BOLT, FLANGE (95822-06016)	2	
20	(23X-2217A-00-00)	ARM, RELAY	1	
21	93317-32034-00	BEARING, CYLINDER.# 7	1	
22	93109-20029-00	OIL SEAL, SDO-TYPE	2	
23	90387-147G6-00	COLLAR	1	
24	90387-147G7-00	COLLAR	1	
25	90109-12701-00	BOLT	1	
26	93700-06M03-00	NIPPLE, GREASE	1	
27	90201-120A5-00	WASHER, PLATE	1	
28	90201-142M6-00	WASHER, PLATE	1	

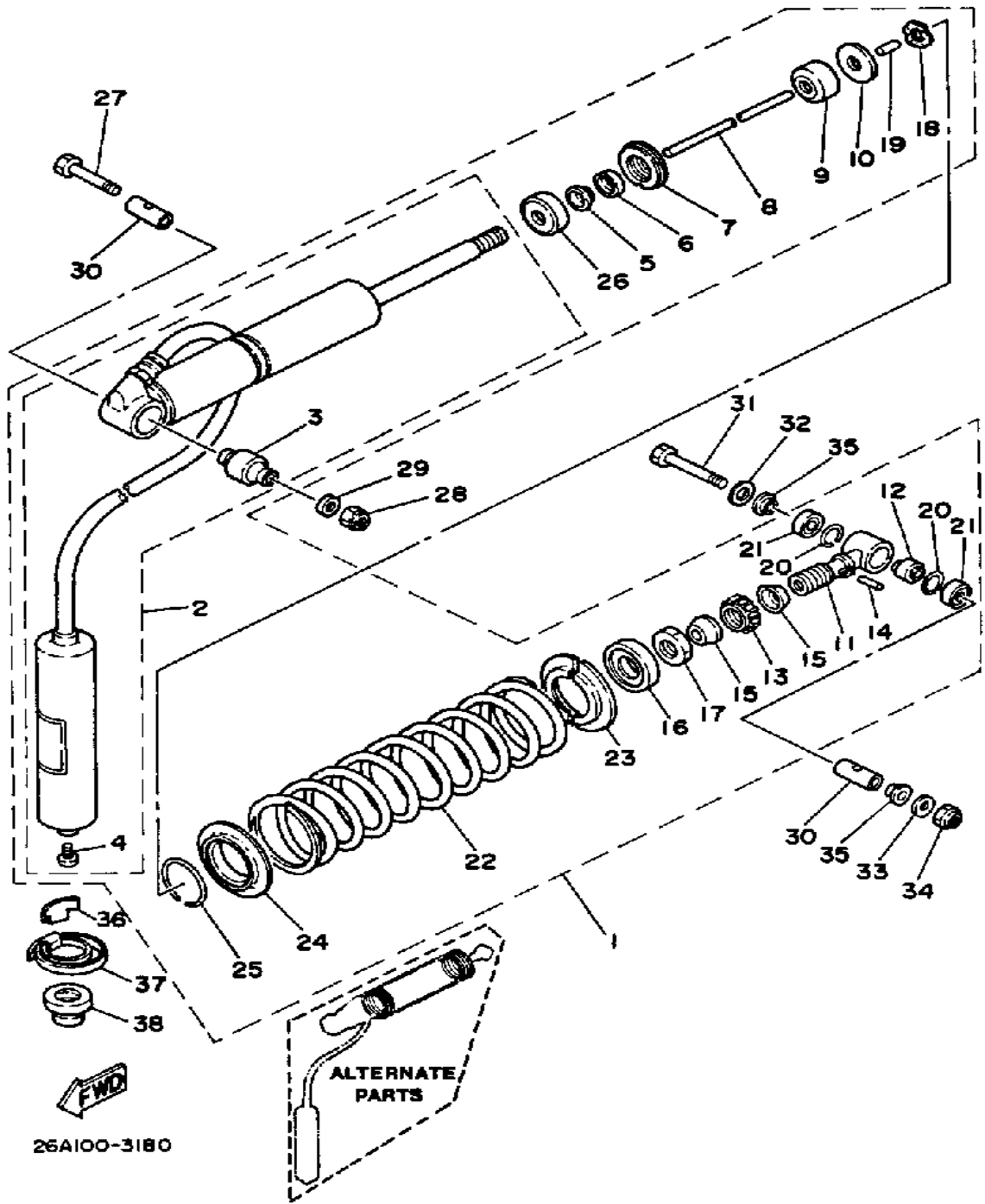
CONTINUED ON NEXT FRAME ➤

# SWING ARM



Ref. No.	Part Number	Description	Qty	Remarks
29	90185-12119-00	NUT, SELF-LOCKING	1	
30	23X-2217F-00-00	ROD, CONNECTING 1	1	
31	93315-31732-00	BEARING, CYLINDRICAL	2	
32	55K-22129-00-00	COVER, THRUST 2	4	
33	90387-121H1-00	COLLAR	2	
34	90109-10702-00	BOLT	1	
35	93700-06005-00	NIPPLE, GREASE	1	
36	90201-120E6-00	WASHER, PLATE	1	
37	90201-100E9-00	WASHER, PLATE	1	
38	90185-10120-00	NUT, SELF-LOCKING	1	
39	90109-10703-00	BOLT	1	
40	93700-06M03-00	NIPPLE, GREASE	1	
41	90201-100F7-00	WASHER, PLATE	1	
42	95611-10100-00	NUT, U	1	
43	5X6-2218A-00-00	EMBLEM	2	UR FOR USA
	5X8-2218A-00-00	EMBLEM, REAR ARM	2	UR EXC. USA
44	26A-22310-00-00	CHAIN CASE ASSEMBLY	1	
45	98503-06014-00	SCREW, PAN HEAD (92502-06016)	2	
46	92995-06100-00	WASHER, SPRING	2	
47	90201-061A5-00	WASHER, PLATE	2	
48	98580-06012-00	SCREW, PAN HEAD	1	
49	92995-06100-00	WASHER, SPRING	1	
50	90201-06571-00	WASHER, PLATE	1	
51	23X-21652-00-00	PROTECTOR	1	
52	23X-21691-00-00	FLAP	1	
53	98580-05012-00	SCREW, PAN HEAD	2	
54	92990-05100-00	WASHER, SPRING	2	
55	92990-05200-00	WASHER, PLAIN	2	

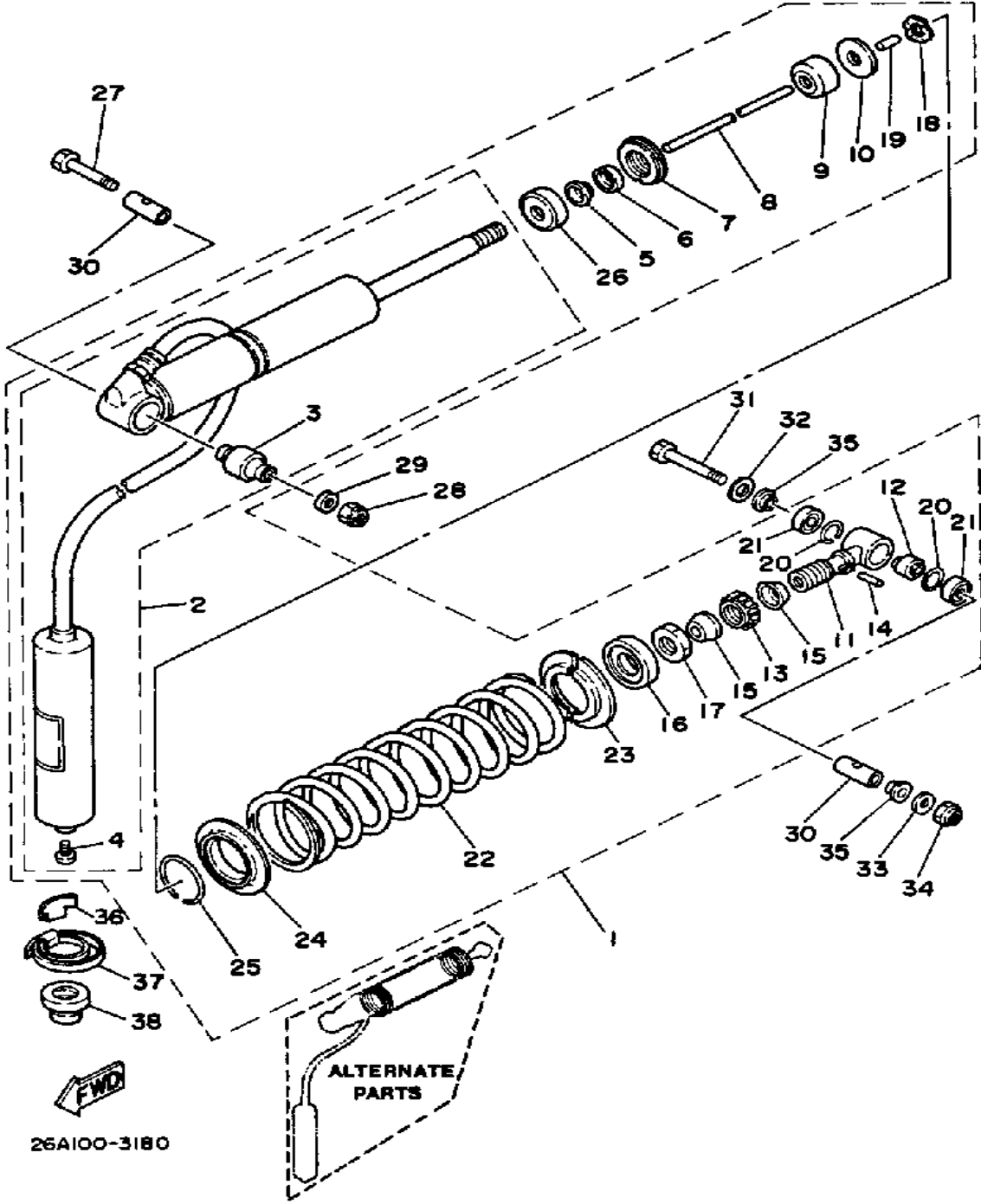
# REAR SHOCKS



Ref. No.	Part Number	Description	Qty	Remarks
1	(26A-22210-00-26)	SHK/ABS ASSEMBLY, REAR	1	COMP. YEL
2	26A-22401-00-00	. DAMPER SUB-ASSEMBLY.	1	
3	(5X6-22216-00-00)	BUSH, RR SHOCK ABS	1	
4	98511-04006-00	.. SCREW, PAN HEAD (98501-04005)	1	
5	23X-22475-00-00	. SEAL, DUST	1	
6	23X-22475-00-00	. SEAL, DUST	1	
7	26A-22472-00-00	. CAP, CASE	1	
8	23X-22489-00-00	. ROD, PUSH	1	
9	(23X-22493-00-00)	BUMP, STOP	1	
10	3R4-22228-00-00	. SUPPORT, BUMP STOP	1	
11	23X-22409-00-00	. UPPER BRKT SUB ASSEMBLY SUB ASSEMBLY	1	
12	93399-99911-00	. BEARING, SPECIAL	1	
13	5X3-22497-00-00	. NUT, ADJUSTING	1	
14	93604-26132-00	. PIN, DOWEL	1	
15	3R4-22221-01-00	. COVER	2	
16	23X-22213-00-00	. SEAT, SPRING UPPER	1	
17	90170-20320-00	. NUT	1	
18	90206-14067-00	. WASHER, WAVE	1	
19	93604-21193-00	. PIN, DOWEL	1	
20	93440-30113-00	. CIRCLIP	2	
21	93104-18077-00	. OIL SEAL	2	
22	(26A-22212-00-26)	SPRING	1	STD COMP YEL
	(26A-22212-10-26)	SPRING, MXS SOFT	1	UR COMP YEL
	23X-22212-00-26	SPRING	1	UR COMP YEL
	23X-22212-10-26	SPRING, MXS	1	UR COMP YEL
23	23X-22214-00-00	. GUIDE, SPRING 1	2	
24	23X-22223-00-00	. SEAT, SPRING LOWER	1	

CONTINUED ON NEXT FRAME ►

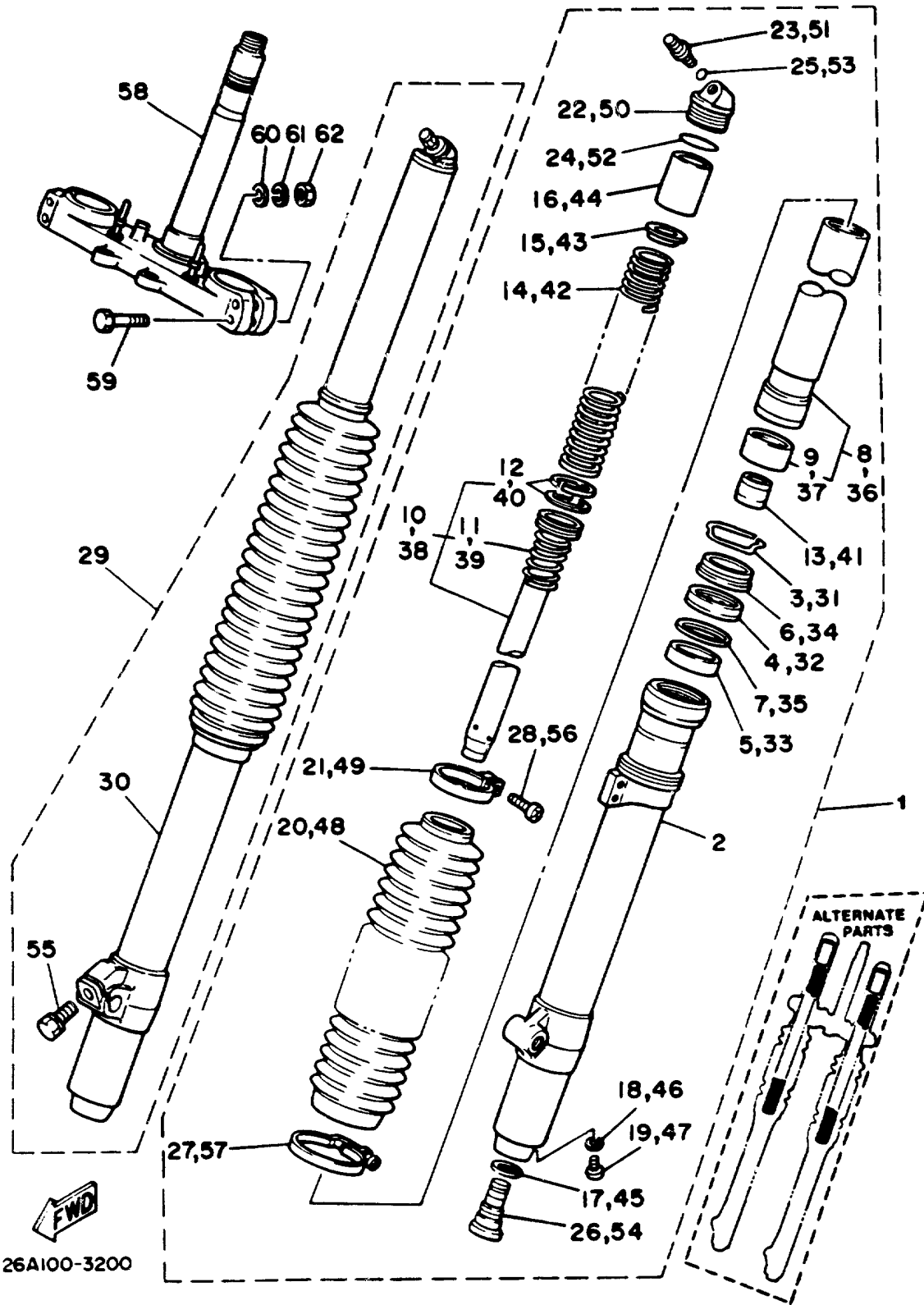
# REAR SHOCKS



Ref. No.	Part Number	Description	Qty	Remarks
25	93440-51103-00	. CIRCLIP, OUTER	1	
26	(1H3-22495-00-00)	SUPPORT, REBOUND	1	
27	90109-10690-00	BOLT	1	
28	90185-10120-00	NUT, SELF-LOCKING	1	
29	90201-100F7-00	WASHER, PLATE	1	
30	90380-12094-00	BUSH, SOLID	1	
31	90109-10700-00	BOLT	1	
32	90201-120E6-00	WASHER, PLATE	1	
33	90201-100E9-00	WASHER, PLATE	1	
34	90185-10120-00	NUT, SELF-LOCKING	1	
35	90387-126H8-00	COLLAR	2	
36	23X-22261-01-00	DAMPER, SUB TANK	1	
37	90460-55233-00	CLAMP, HOSE	1	
38	90480-22263-00	GROMMET	1	



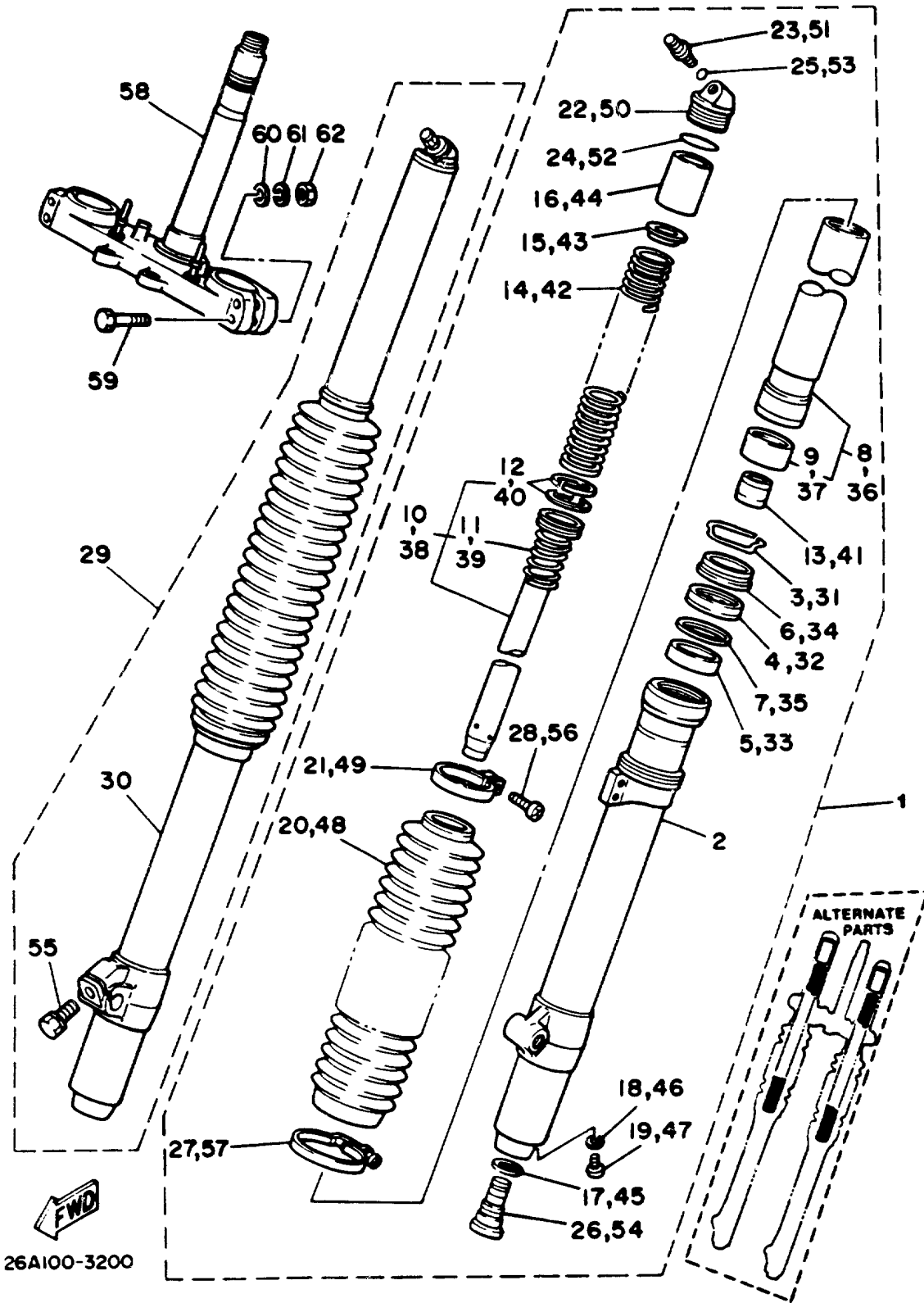
# FRONT FORK



Ref. No.	Part Number	Description	Qty	Remarks
1	(26A-23102-L0-00)	FRONT FORK ASSEMBLY L	1	
2	(26A-23126-L0-00)	TUBE, OUTER 1	1	
3	4V4-23153-L0-00	. RING, SNAP	1	
4	23X-23145-L0-00	. OIL SEAL	1	
5	3XJ-23125-L0-00	. METAL, SLIDE 1	1	
6	23X-23144-L0-00	. SEAL, DUST	1	
7	4V4-23146-L0-00	. WASHER, OIL SEAL	1	
8	55U-23110-00-00	. INNER TUBE COMP.	1	
9	4V4-23171-L0-00	. . PISTON, FRONT FORK	1	
10	(26A-23170-L0-00)	CYLINDER, FRTRFK	1	
11	5X6-23152-L0-00	. . SPRING, SUB	1	
12	4V4-23157-L0-00	. . RING, PISTON FRTRFK	2	
13	23X-23173-L0-00	. SPINDLE, TAPER	1	
14	(23X-23141-10-00)	SPRING, FRONT FORK	1	UR (USE SPACER 5X6-23118-10)
	23X-23141-L0-00	SPRING, FRONT FORK	1	UR (USE SPACER 5X6-23118-10)
	23X-23141-M0-00	. SPRING, FRTRFK SOFT (K=0.290)	1	STD
15	4V4-23142-L0-00	. SEAT, SPRING UPPER	1	
16	5X6-23118-10-00	. SPACER	1	
	5X6-23118-M0-00	. SPACER (L=110)	1	STD
17	23X-23158-L0-00	GASKET	1	
18	122-23129-00-00	. GASKET, DRAIN PLUG	1	
19	4H7-23119-00-00	. PLUG, DRAIN - (122-23119-01)	1	
20	23X-23191-L0-00	. BOOT, FRONT FORK	1	
21	4V4-23192-L0-00	. BAND	1	
22	43M-23111-L0-00	. BOLT, CAP	1	
23	23X-23190-L0-00	. AIR VALVE COMP	1	
24	4V4-23188-L0-00	. O-RING	1	

CONTINUED ON NEXT FRAME ➤

# FRONT FORK

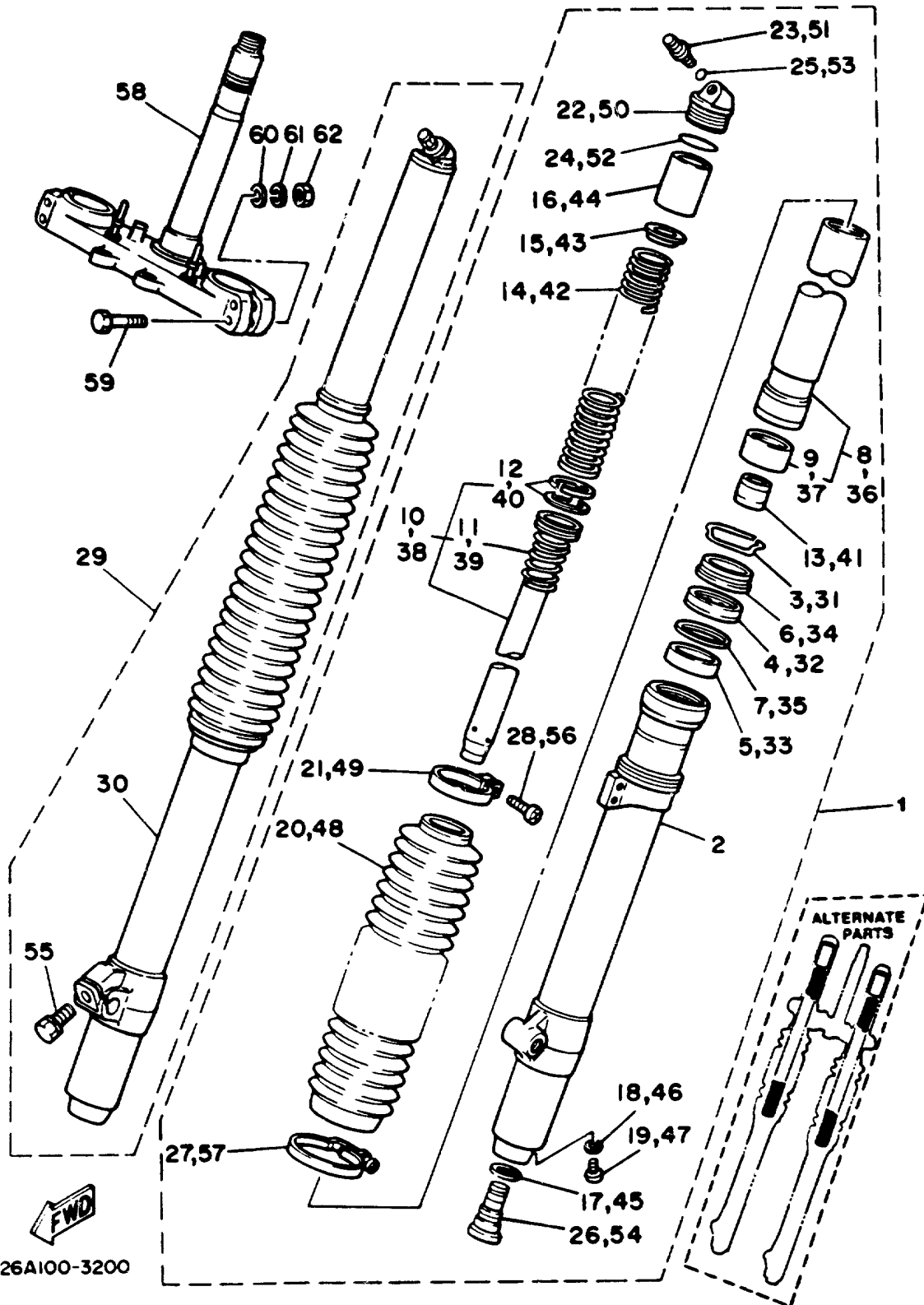


Ref. No.	Part Number	Description	Qty	Remarks
25	3J2-23147-00-00	. O-RING	1	
26	(26A-2316A-L0-00)	VALVE	1	
27	23X-23489-L0-00	. BAND	1	
28	98506-04018-00	. SCREW, PAN HEAD	1	
29	(26A-23103-L0-00)	FRONT FORK ASSEMBLY R	1	
30	(26A-23136-L0-00)	TUBE, OUTER 2	1	
31	4V4-23153-L0-00	. RING, SNAP	1	
32	23X-23145-L0-00	. OIL SEAL	1	
33	3XJ-23125-L0-00	. METAL, SLIDE 1	1	
34	23X-23144-L0-00	. SEAL, DUST	1	
35	4V4-23146-L0-00	. WASHER, OIL SEAL	1	
36	55U-23110-00-00	. INNER TUBE COMP.	1	
37	4V4-23171-L0-00	. PISTON, FRONT FORK	1	
38	(26A-23170-L0-00)	CYLINDER, FRTRFK	1	
39	5X6-23152-L0-00	. SPRING, SUB	1	
40	4V4-23157-L0-00	. RING, PISTON FRTRFK	2	
41	23X-23173-L0-00	. SPINDLE, TAPER	1	
42	23X-23141-M0-00	. SPRING, FRTRFK SOFT (K=0.290)	1	STD
43	4V4-23142-L0-00	. SEAT, SPRING UPPER	1	
44	5X6-23118-10-00	. SPACER	1	STD
	5X6-23118-M0-00	. SPACER (L=110)	1	STD
45	23X-23158-L0-00	. GASKET	1	
46	122-23129-00-00	. GASKET, DRAIN PLUG	1	
47	4H7-23119-00-00	. PLUG, DRAIN - (122-23119-01)	1	
48	23X-23191-L0-00	. BOOT, FRONT FORK	1	
49	4V4-23192-L0-00	. BAND	1	
50	43M-23111-L0-00	. BOLT, CAP	1	
51	23X-23190-L0-00	. AIR VALVE COMP	1	

CONTINUED ON NEXT FRAME ►

26A100-3200

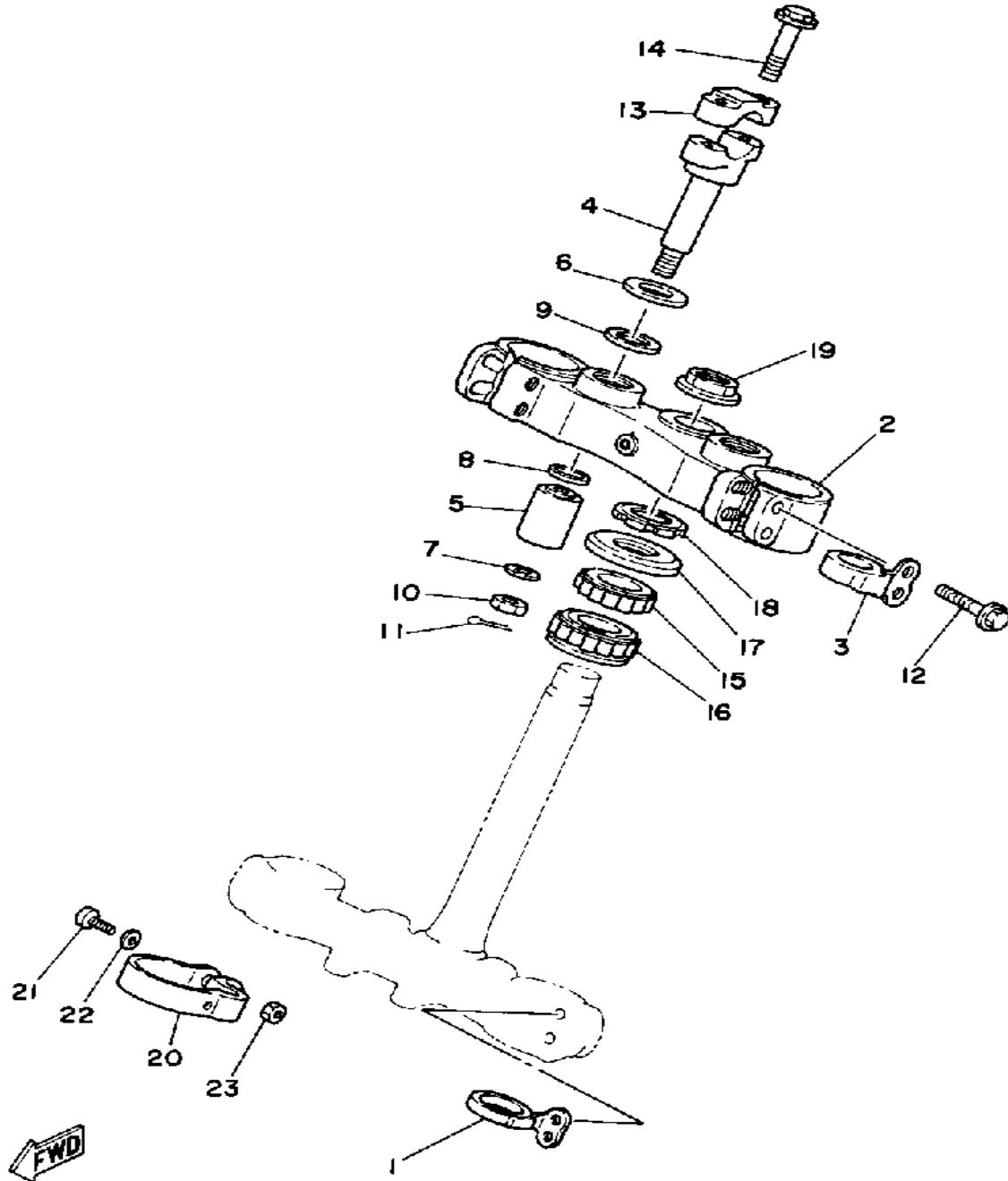
# FRONT FORK



Ref. No.	Part Number	Description	Qty	Remarks
52	4V4-23188-L0-00	. O-RING	1	
53	3J2-23147-00-00	. O-RING	1	
54	(26A-2316A-L0-00)	VALVE	1	
55	5X6-23181-L0-00	. BOLT, HEX SCKT HEADSOCKET HEAD	1	
56	98506-04018-00	. SCREW, PAN HEAD	1	
57	26A-23489-L0-00	. BAND	1	
58	34K-23340-00-39	UNDER BRACKETCOMP (26A-23340-L0-39)	1	NO BUFFING
59	90101-08340-00	BOLT	4	
60	92901-08600-00	WASHER	3	
61	92990-08100-00	WASHER	4	
62	95333-08600-00	NUT	4	

26A100-3200

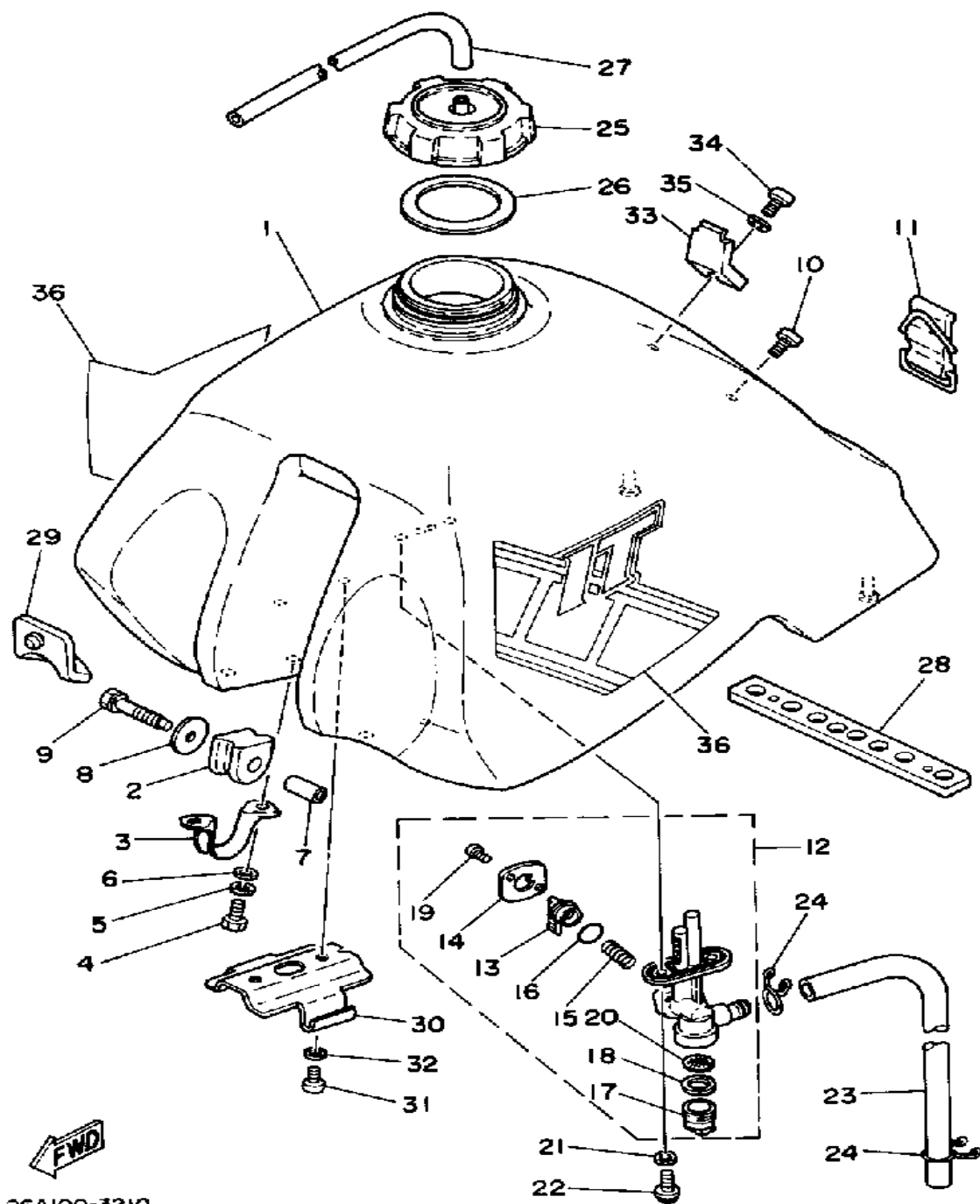
# STEERING



26A100-3190

Ref. No.	Part Number	Description	Qty	Remarks
1	3R4-23389-00-00	GUIDE, CABLE .....	1	
2	23X-W2341-00-00	CROWN, HANDLE .....	1	LOW GLOSS BLK
3	3R4-23317-00-00	HOLDER, CABLE .....	1	
4	1E6-23442-00-00	HOLDER, HANDLE LWR .....	2	
5	307-22123-00-00	BUSH 1 .....	2	
6	90201-123E8-00	WASHER, PLATE .....	2	
7	90201-100A1-00	WASHER, PLATE .....	2	
8	90387-121E8-00	COLLAR .....	2	
9	90202-14077-00	WASHER, PLATE .....	2	
10	90185-10037-00	NUT, SELF-LOCKING .....	2	
11	91490-20020-00	PIN, COTTER .....	2	
12	90105-08091-00	BOLT, WASHER BASED .....	4	
13	1E6-23441-00-00	HOLDER, HANDLE UPR .....	2	LOW GLOSS BLK
14	95811-08035-00	BOLT, FLANGE (95821-08035) .	4	
15	93332-00001-00	BEARING .....	1	
16	93332-00008-00	BEARING .....	1	
17	3HE-23416-00-00	COVER, BALL RACE 2 .....	1	
18	90179-25033-00	NUT .....	1	
19	90179-22330-00	NUT, SPEC'L SHAPE .....	1	
20	26A-23318-00-00	HOLDER, CABLE 1 .....	1	
21	98501-05018-00	SCREW, PAN HEAD .....	1	
22	92901-05600-00	WASHER, PLATE .....	1	
23	95380-05600-00	NUT .....	1	

# FUEL TANK

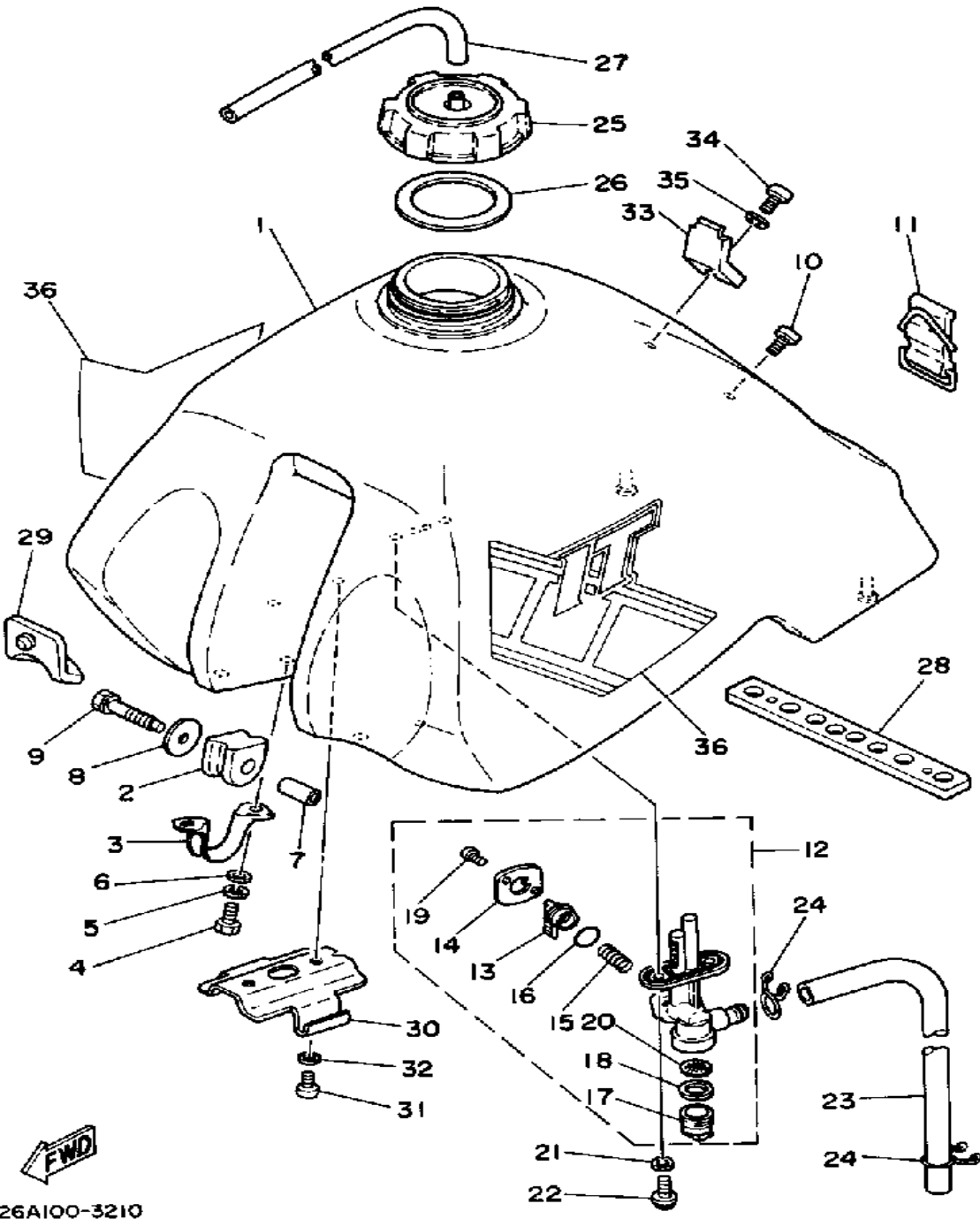


26A100-3210

Ref. No.	Part Number	Description	Qty	Remarks
1	99999-01655-00	FUEL TANK .....	1	SKY BLUE
2	1W1-24182-01-00	DAMPER, LOCATING 2 .....	2	
3	1W1-24144-01-00	HOLDER, DAMPER .....	2	
4	97013-06012-00	BOLT .....	4	
5	92995-06100-00	WASHER, SPRING .....	4	
6	90201-061A5-00	WASHER, PLATE .....	4	
7	90387-07393-00	COLLAR (308-84557-00) .....	2	
8	90201-06407-00	WASHER, PLATE (90201-06747-00) .....	2	
9	90119-06022-00	BOLT, WITH WASHER .....	2	
10	98903-06018-00	SCREW, BIND .....	1	
11	59V-24173-00-00	BAND, TANK FITTING 1 .....	1	
12	4V5-24500-00-00	FUEL COCK ASSEMBLY 1 ...	1	
13	(4V5-24524-00-00)	LEVER, COCK .....	1	
14	4V5-24525-00-00	. PLATE, LVR FITTING .....	1	
15	(357-24529-10-00)	SPRING .....	1	
16	4X8-24565-00-00	. GASKET .....	1	
17	4X8-24521-00-00	. CUP, FILTER .....	1	
18	4X8-24534-00-00	. SEAL, COCK .....	1	
19	4X8-24535-00-00	. SCREW, LVR FITTING .....	2	
20	4X8-24515-01-00	. NET, FILTER 2 .....	1	
21	90202-05187-00	WASHER, PLATE .....	2	
22	90149-06011-00	SCREW .....	2	
23	90446-11345-00	HOSE .....	1	
24	90467-10008-00	CLIP .....	2	
25	1UY-24610-00-00	CAP ASSEMBLY .....	1	
26	3R9-24612-00-00	GASKET, CAP .....	1	
27	90445-09252-00	HOSE .....	1	
28	26A-24181-00-00	DAMPER, LOCATING 1 .....	1	

CONTINUED ON NEXT FRAME ►

# FUEL TANK

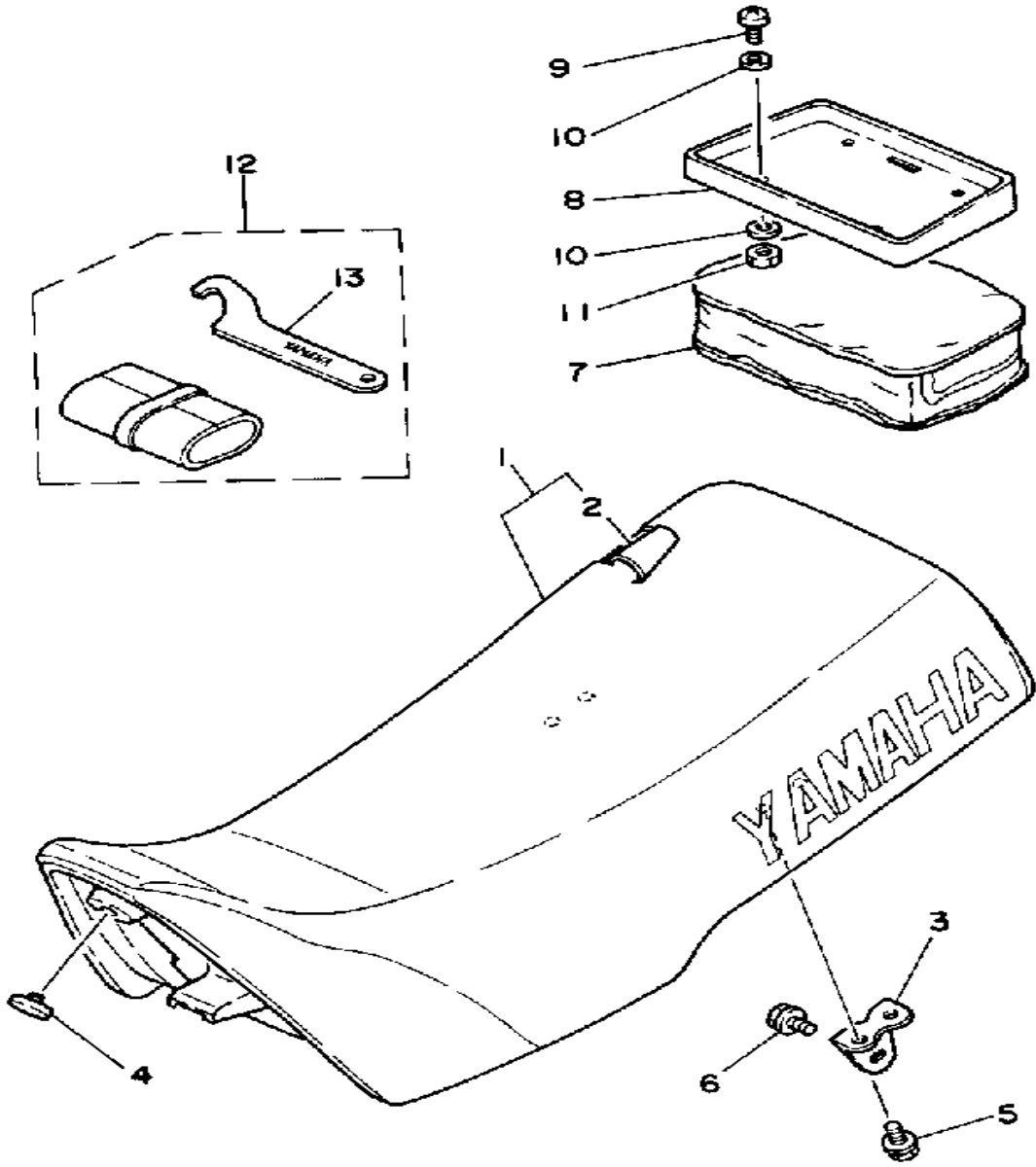


Ref. No.	Part Number	Description	Qty	Remarks
29	23X-24184-00-00	DAMPER, LOCATING 4	1	
30	5X6-2415F-01-00	STAY, CHAMBER	1	
31	98580-06010-00	SCREW, PAN HEAD (92503-06010)	2	
32	90201-061A5-00	WASHER, PLATE	2	
33	24Y-2412F-00-00	BRACKET, SEAT	1	
34	98580-06012-00	SCREW, PAN HEAD	1	
35	92995-06100-00	WASHER, SPRING	1	
36	(26A-24250-00-00) 1TY-24250-00-00	GRAPHIC SET	1	

26A100-3210

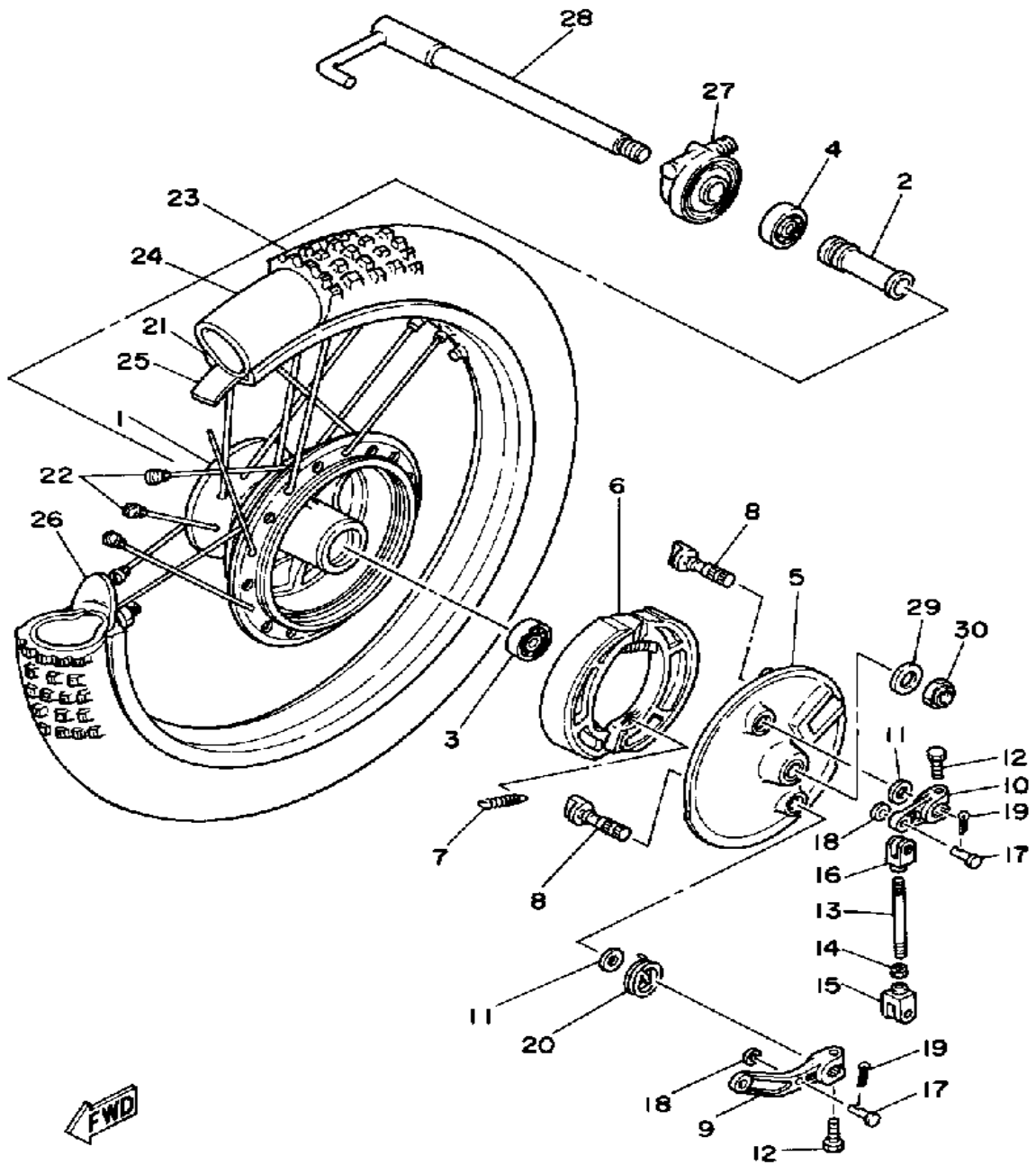
# SEAT

Ref. No.	Part Number	Description	Qty	Remarks
1	(26A-W2473-00-00)	SEMI-DBL-SEAT ASSEMBLY ..	1	
2	26A-24731-00-00	. COVER, DOUBLE SEAT .....	1	
3	39W-24738-00-00	BRACKET, SEAT .....	2	
4	22W-24741-00-00	PAD, SEAT .....	2	
5	95811-06012-00	BOLT, FLANGE .....	4	
6	90119-06056-00	BOLT, WITH WASHER .....	2	
7	4V5-24850-00-00	CARRIER BOX ASSEMBLY ...	1	
8	4V5-24833-00-00	BRACKET, CARRIER 2 .....	1	
9	98580-06020-00	SCREW .....	4	
10	90201-06571-00	WASHER, PLATE .....	8	
11	95601-06100-00	NUT, U .....	4	
12	26A-28100-00-00	TOOL KIT .....	1	
13	1HX-28135-00-00	. SPANNER, SPECIAL .....	1	



26A100-3220

# FRONT WHEEL



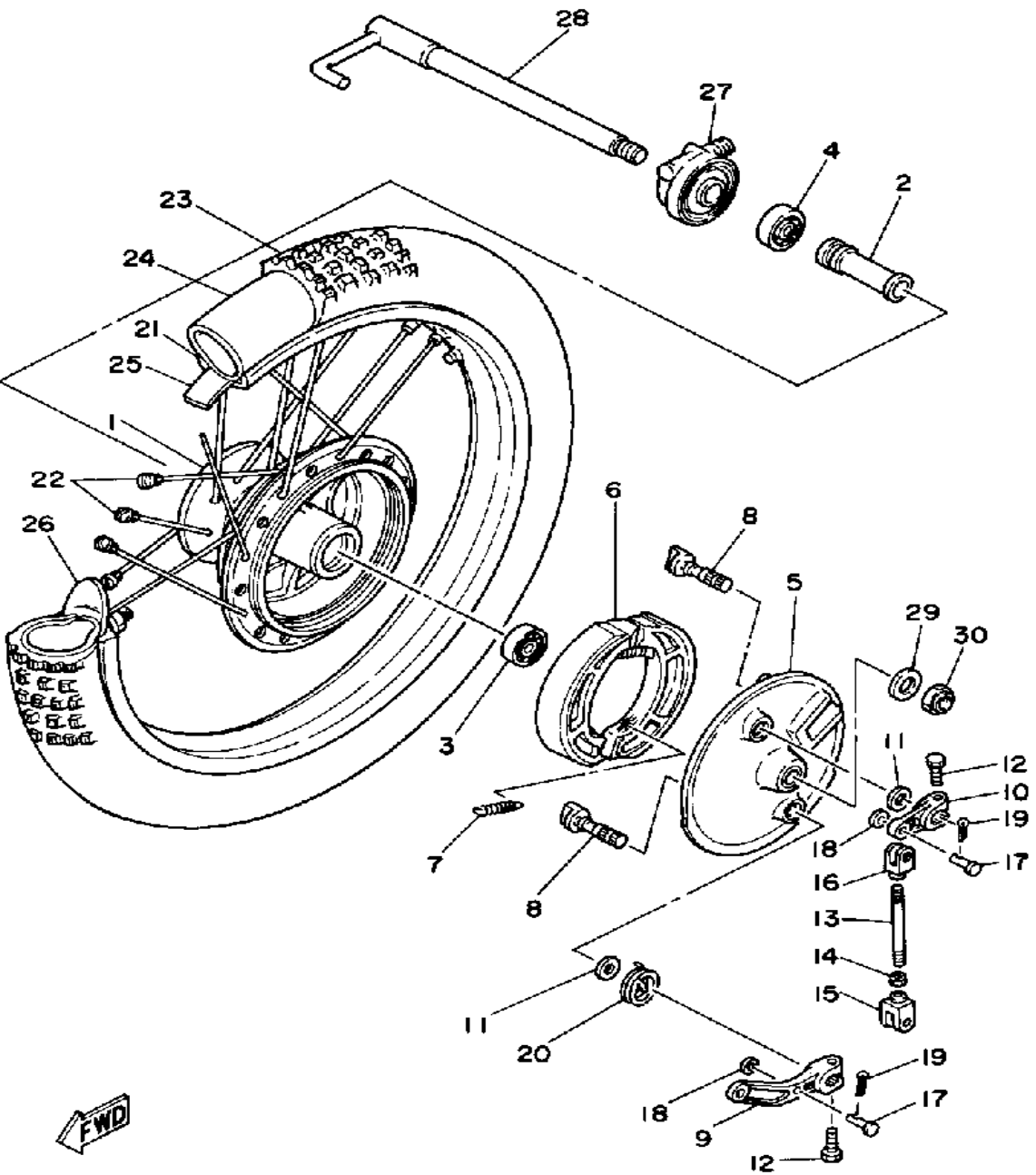
Ref. No.	Part Number	Description	Qty	Remarks
1	23X-25111-00-98	HUB, FRONT	1	LOW GLOSS BLK
2	90560-15227-00	SPACER	1	
3	93306-20226-00	BEARING	1	
4	93306-20209-00	BEARING (B6202)	1	
5	5X6-25121-00-98	PLATE, BRAKE SHOE	1	LOW GLOSS BLK
6	3R5-W2535-00-00	BRAKESHOE SET-2PCS	2	
7	90506-17328-00	SPRING, TENSION	2	
8	23X-25151-00-00	CAMSHAFT	2	
9	99999-02061-00	LEVER, CAMSHAFT	1	
10	99999-02067-00	LEVER, CAMSHAFT 2	1	
11	137-25159-00-00	SEAL, CAMSHAFT	2	
12	90101-06291-00	BOLT	2	
13	3R5-25161-00-00	ROD, CONNECTING	1	
14	95380-06700-00	NUT	1	
15	3R5-25163-00-00	END, ROD 1	1	
16	3R5-25164-00-00	END, ROD 2	1	
17	90240-06006-00	PIN, CLEVIS	2	
18	92990-06200-00	WASHER	2	
19	91490-20020-00	PIN, COTTER	2	
20	90508-20425-00	SPRING, TORSION	1	
21	94416-21359-00	RIM 1.60X 1	1	
22	26A-25104-00-00	SPOKE SET, FRONT	1	
23	(94130-213A4-00)	300-21 M1B (TT)	1	
24	94230-21126-00	TUBE (3.00-21)	1	INOUE
25	(94330-21088-00)	BAND, RIM	1	INOUE
26	4V5-25194-00-00	SPACER, BEAD	1	
27	26A-25190-00-00	GEAR UNIT ASSEMBLY	1	
28	26A-25181-00-00	AXLE, WHEEL	1	
29	90201-15785-00	WASHER, PLATE	1	

FWD  
26A100-3230

CONTINUED ON NEXT FRAME ➤



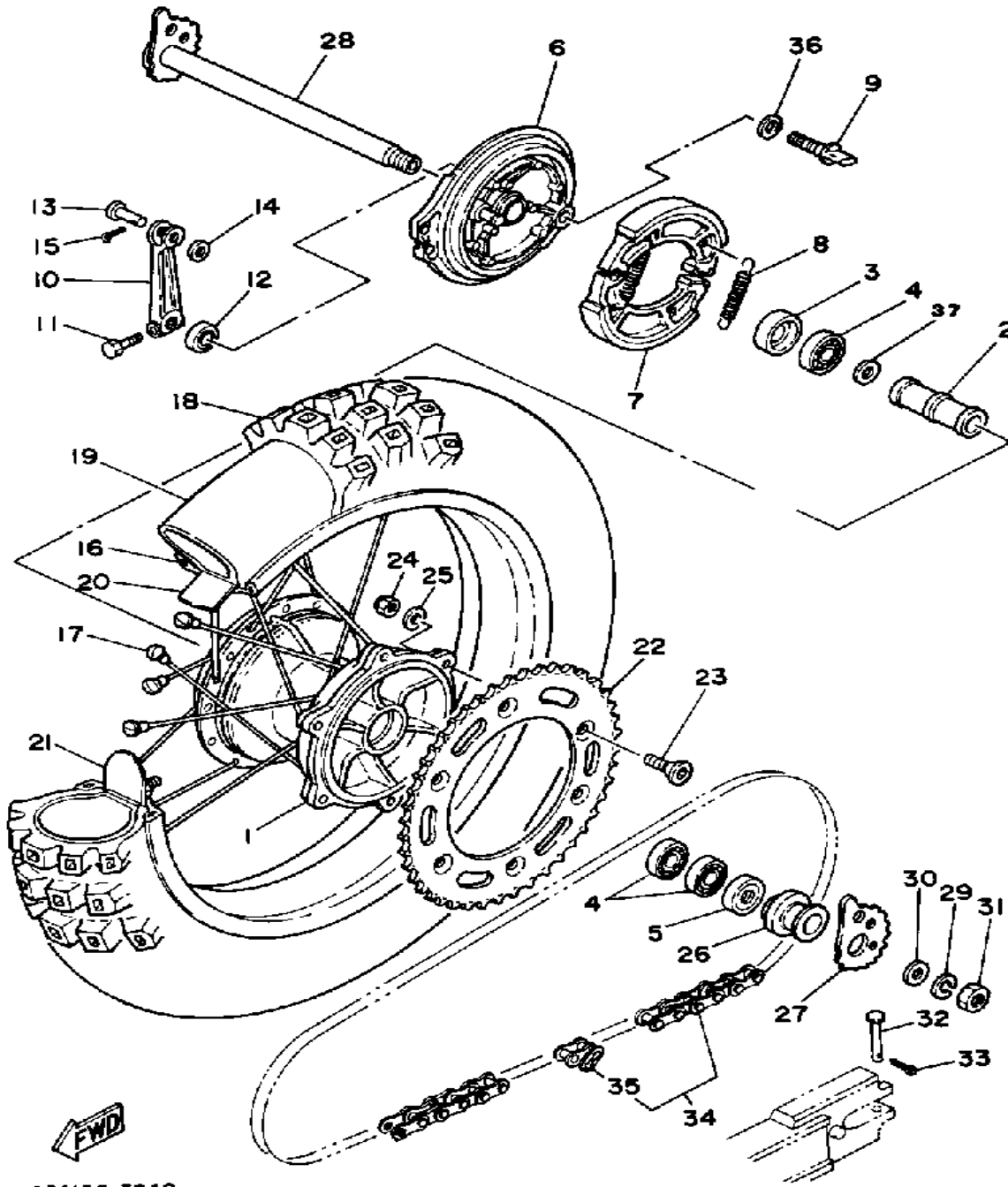
# FRONT WHEEL



Ref. No.	Part Number	Description	Qty	Remarks
30	90185-14116-00	NUT, SELF-LOCKING .....	1	

**FWD**  
26A100-3230

# REAR WHEEL

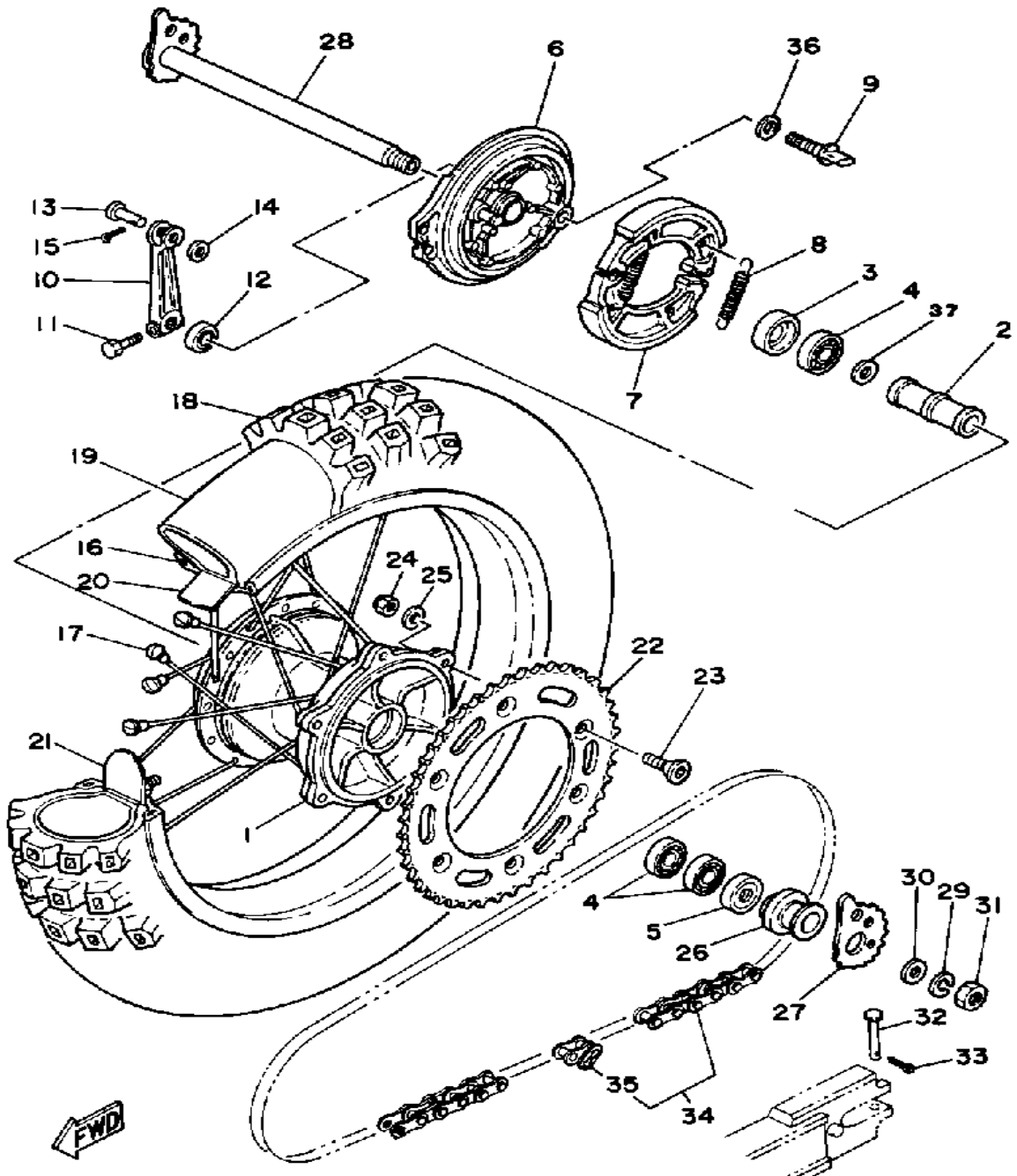


26A100-3240

Ref. No.	Part Number	Description	Qty	Remarks
1	4V4-25311-00-98	HUB, REAR	1	LOW GLOSS BLK
2	90560-20226-00	SPACER	1	
3	93306-00418-00	BEARING	1	
4	93306-00406-00	BEARING (B6004Z)	3	
5	93102-28022-00	OIL SEAL	1	
6	26A-25321-10-98	PLATE, BRAKE SHOE	1	LOW GLOSS BLK
7	40T-W2536-00-00	BRAKESHOE SET-2PCS	2	
8	90507-20002-00	SPRING, TENSION	2	
9	5L4-25351-00-00	CAMSHAFT	1	
10	4V5-25355-00-00	LEVER, CAMSHAFT (168-25355-00)	1	
11	90101-06291-00	BOLT	1	
12	148-25359-00-00	SEAL, CAMSHAFT	1	
13	1W2-27237-00-00	PIN, CLEVIS	1	
14	90201-12631-00	WASHER, PLATE	1	
15	91401-25030-00	PIN, COTTER	1	
16	94425-18358-00	RIM 2.50X 8	1	
17	4V4-25304-00-00	SPOKE SET, REARALT. PART	1	
18	94115-186A2-00	150/80-18 M2A (TT) (94151-18684) (4.50-18-4PR)	1	
19	94245-18125-00	TUBE (4.50-18)	1	
20	94345-18081-00	BAND, RIM (4.50-18)	1	
21	2X5-25394-00-00	SPACER, BEAD	2	
22	26A-25442-50-00	SPROCKET, DRIVN 42T	1	ALT. PART
	26A-25444-50-00	SPROCKET, DRIVEN (44T)	1	STD
	26A-25446-50-33	SPROCKET, DRIVEN (46T) (26A-25446-50-00)	1	ALT. PART
	26A-25448-50-00	SPROCKET, DRIVEN (48T)	1	ALT. PART
	26A-25450-50-00	SPROCKET, DRIVEN (50T)	1	ALT. PART
	26A-25452-50-00	SPROCKET, DRIVEN (52T)	1	ALT. PART

CONTINUED ON NEXT FRAME ►

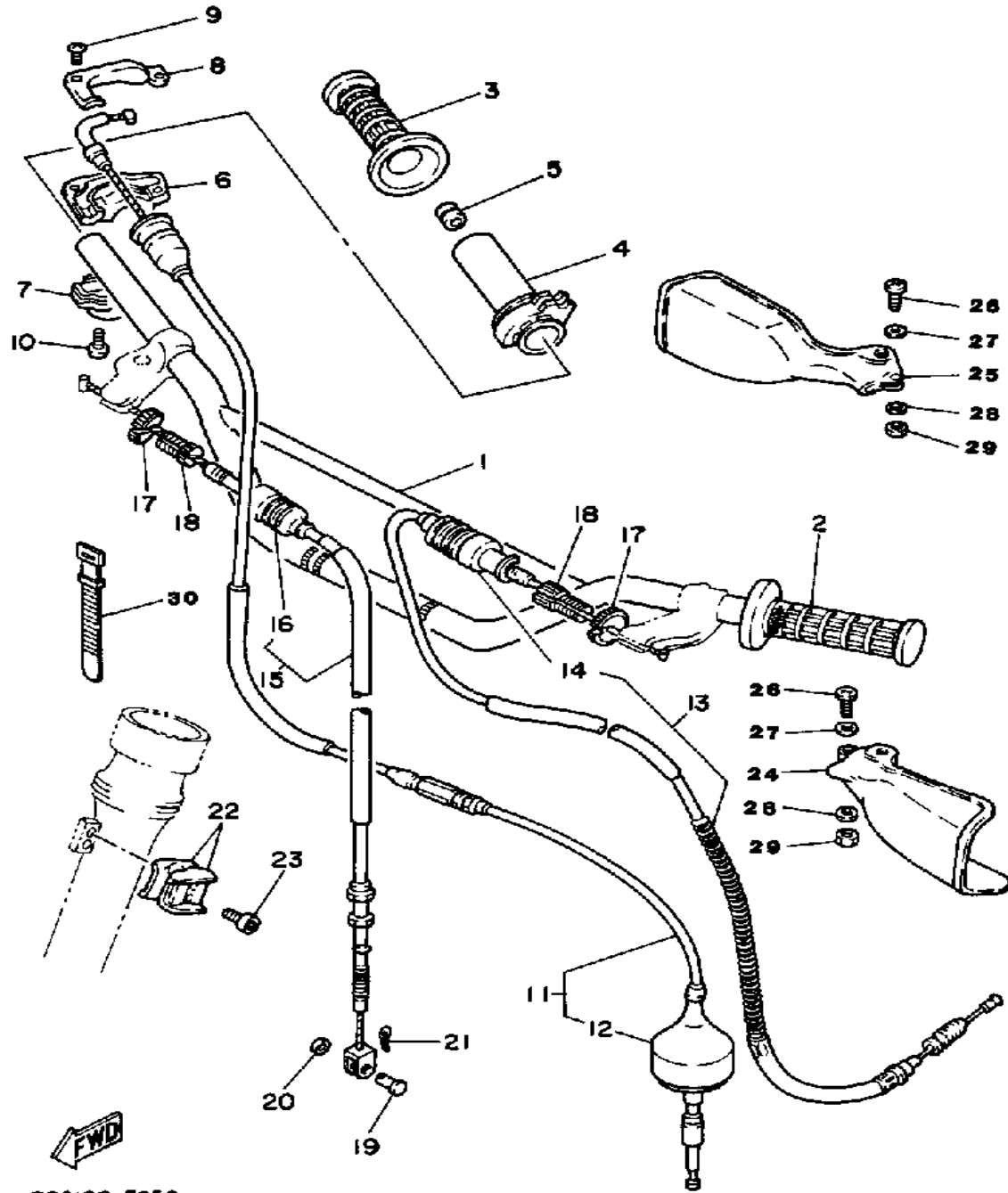
# REAR WHEEL



26A100-3240

Ref. No.	Part Number	Description	Qty	Remarks
23	90110-08038-00	BOLT, HEX SKT HEAD	6	
24	90185-08089-00	NUT, SELF-LOCKING	6	
25	90201-081A6-00	WASHER, PLATE	6	
26	26A-25383-00-00	COLLAR, WHEEL	1	
27	4V5-25388-01-00	PULLER, CHAIN 1	1	
28	26A-25381-01-00	AXLE, WHEEL	1	
29	92901-18100-00	WASHER, SPRING	1	
30	92901-20600-00	WASHER, WAVE	1	
31	90179-18332-00	NUT	1	
32	91701-05045-00	PIN, CLEVIS	2	
	91701-05050-00	PIN, CLEVIS	2	
33	91490-16020-00	PIN, COTTER	2	
34	94580-50110-00	CHAIN 520VS-110L	1	
35	94680-50011-00	. JOINT, CHAIN (34L) (D.I.D.50HDS)	1	
36	148-25353-00-00	SHIM, CAMSHAFT	1	
37	4V4-25315-00-00	FLANGE, SPACER	1	

# HANDLEBAR-CABLE

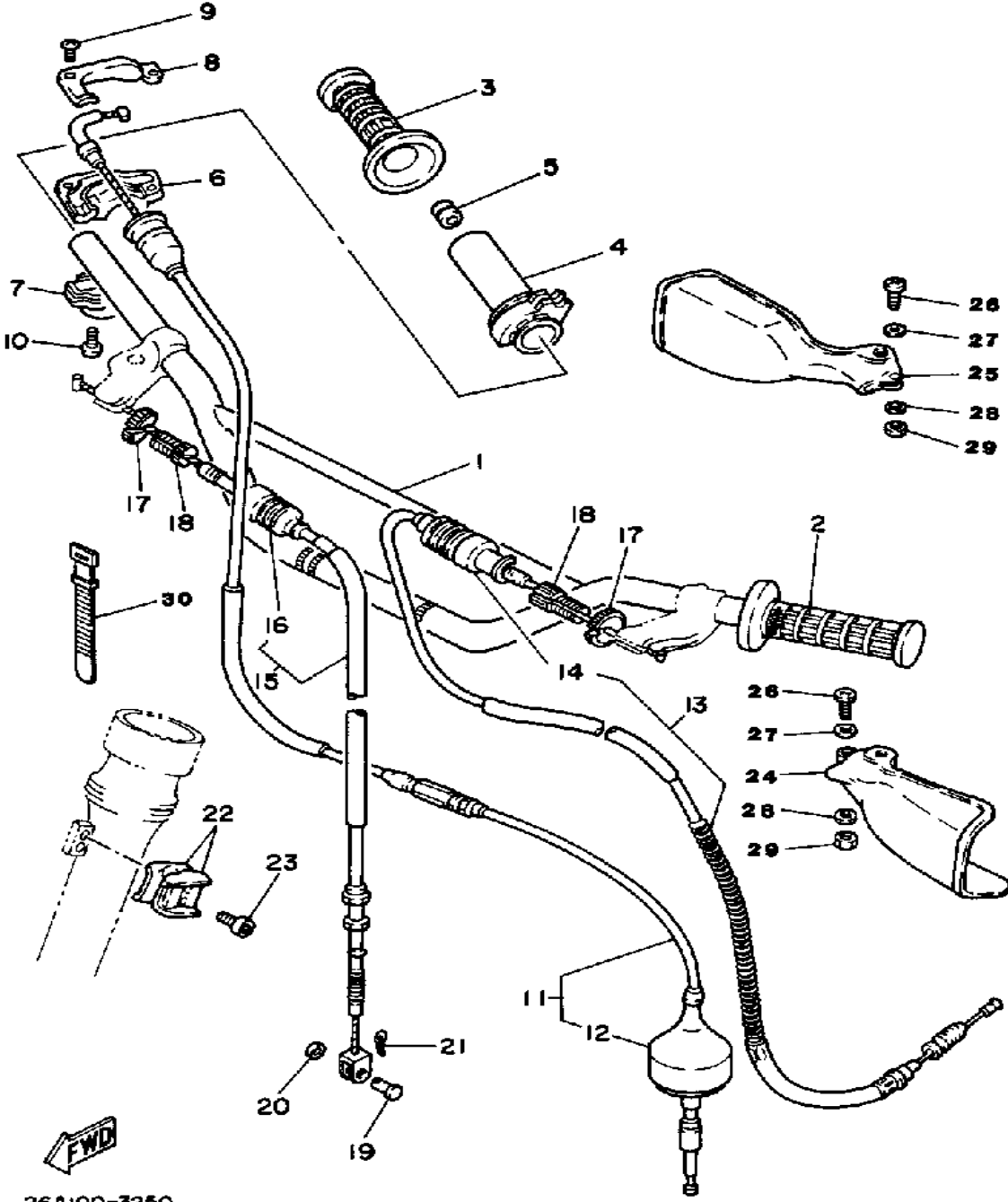


26A100-3250

Ref. No.	Part Number	Description	Qty	Remarks
1	23X-26111-00-00	HANDLEBAR .....	1	
2	4V4-26241-01-00	GRIP (L.H.) (4V4-26241-00) ...	1	
3	1LX-26242-01-00	GRIP (RIGHT) .....	1	
4	22W-26243-00-00	TUBE, THROTTLE GUIDE ....	1	
5	90338-12192-00	PLUG .....	1	
6	5X2-26281-00-00	CAP, GRIP UPPER .....	1	
7	322-26282-00-00	CAP, GRIP LOWER .....	1	
8	5X2-2628H-01-00	CAP, WIRE .....	1	
9	98706-04012-00	SCREW, FLAT HEAD .....	2	
10	98586-05016-00	SCREW, PAN HEAD .....	2	
11	26A-26311-00-00	CABLE, THROTTLE 1 .....	1	
12	510-26329-00-00	. CAP, RUBBER .....	1	
13	26A-26335-00-00	CABLE, CLUTCH .....	1	
14	1E6-26342-00-00	. BOOT, CABLE .....	1	
15	26A-26341-00-00	CABLE, BRAKE .....	1	
16	1E6-26342-00-00	. BOOT, CABLE .....	1	
17	90179-08401-00	NUT .....	2	
18	90123-08090-00	BOLT .....	2	
19	91701-06018-00	PIN, CLEVIS .....	1	
20	92990-06200-00	WASHER .....	1	
21	91490-20020-00	PIN, COTTER .....	1	
22	90465-16258-00	CLAMP .....	2	
23	91311-06016-00	BOLT, SOCKET HEAD .....	2	
24	3R9-26141-00-00	GUARD, BRUSH 1 .....	1	SKY BLUE
25	3R9-26142-00-00	GUARD, BRUSH 2 .....	1	SKY BLUE
26	98503-06014-00	SCREW, PAN HEAD (92502-06016) .....	2	
27	90201-061A5-00	WASHER, PLATE .....	2	
28	92990-06200-00	WASHER .....	2	

CONTINUED ON NEXT FRAME ►

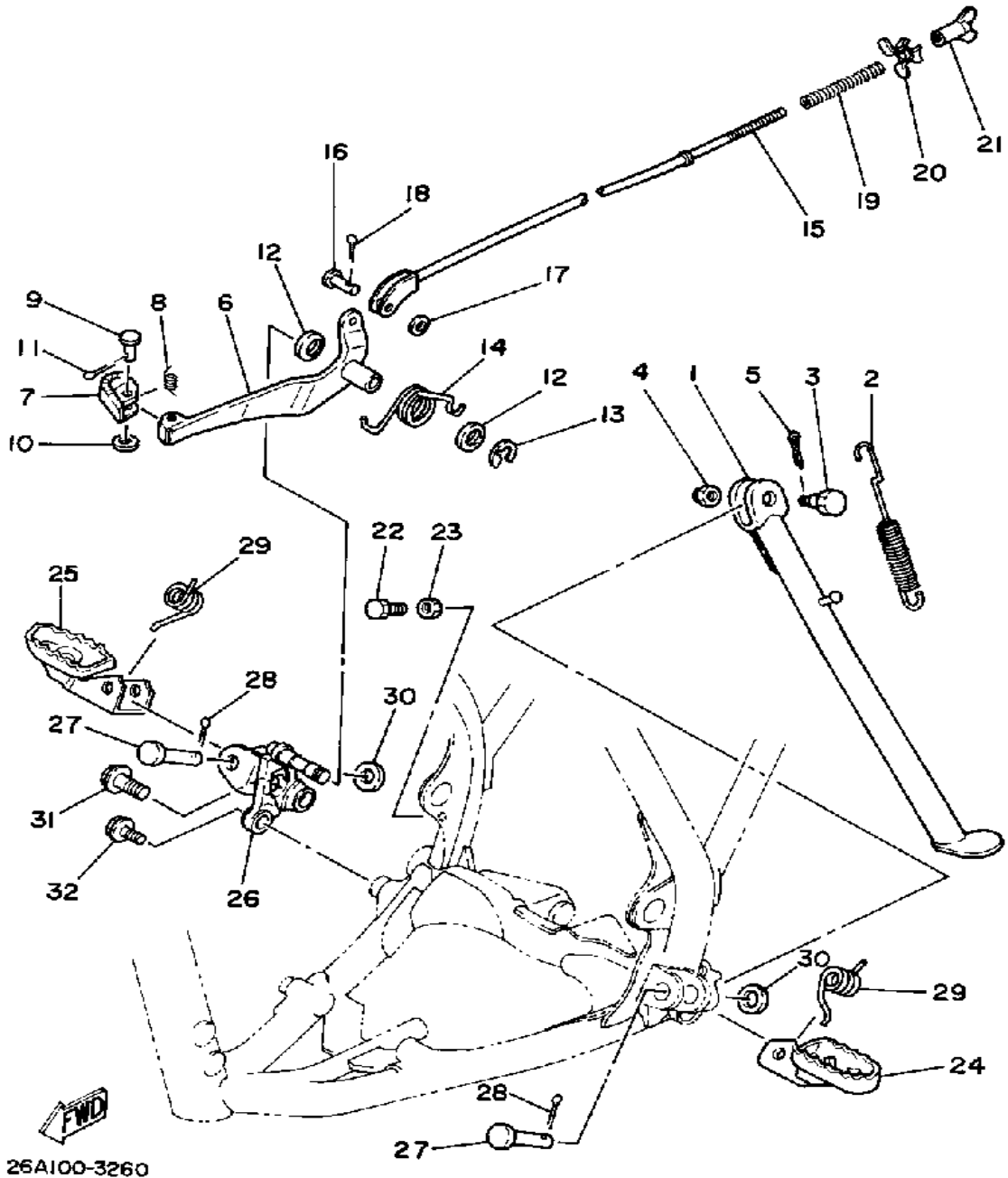
# HANDLEBAR-CABLE



26A100-3250

Ref. No.	Part Number	Description	Qty	Remarks
29	95380-06700-00	NUT .....	2	
30	437-83936-11-00	BAND, SWITCH CORD .....	1	

# STAND-FOOTREST

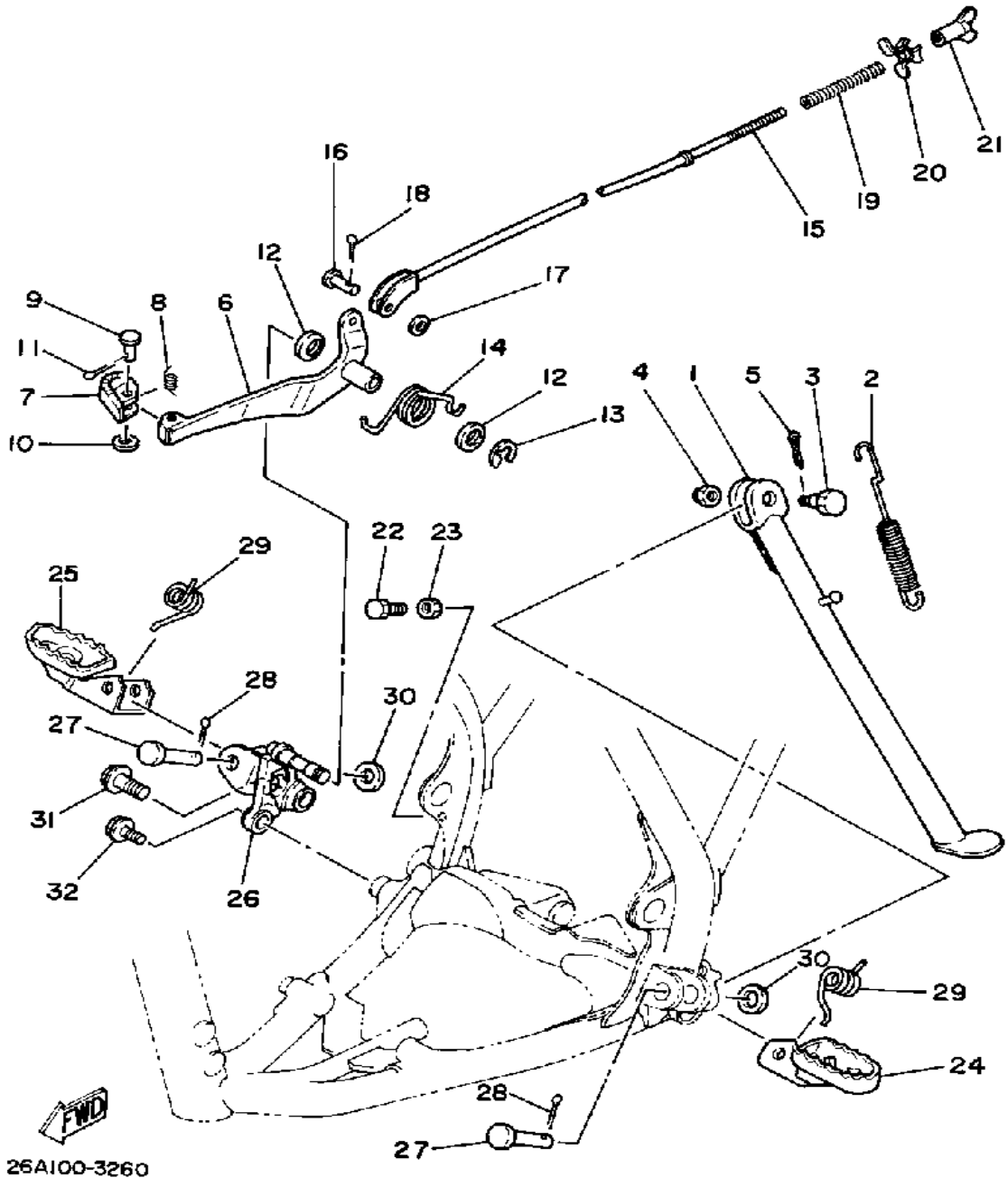


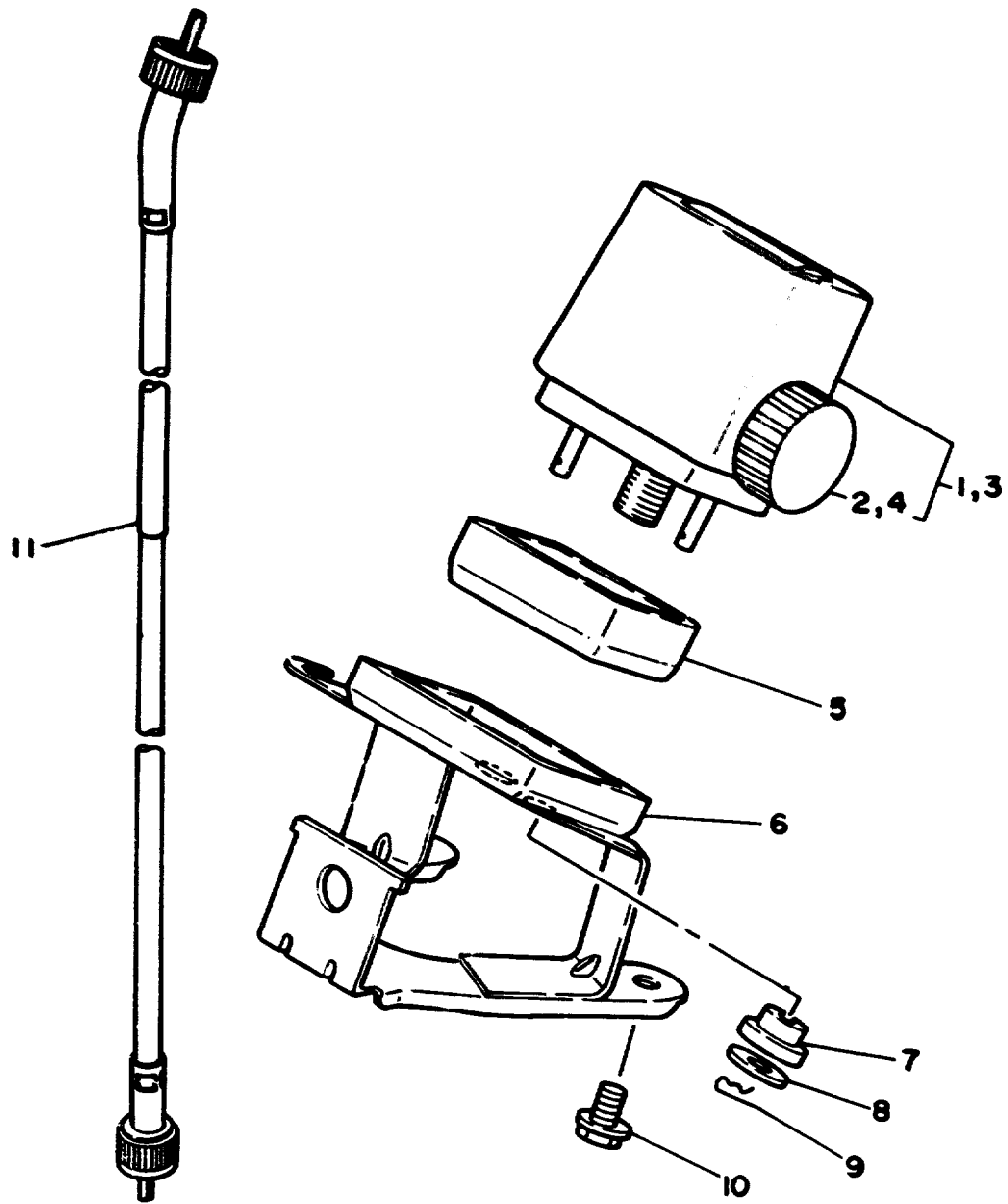
Ref. No.	Part Number	Description	Qty	Remarks
1	26A-27311-02-33	STAND, SIDE	1	YAMAHA BLK
2	90507-29008-00	SPRING, TENSION	1	
3	90102-10051-00	BOLT, WITH HOLE	1	
4	95303-10900-00	NUT, SLOTTED	1	
5	91490-20025-00	PIN, SPLIT	1	
6	29W-27211-00-00	PEDAL, BRAKE	1	
7	3R8-27242-00-00	PEDAL, BRAKE	1	
8	90508-14429-00	SPRING, TORSION	1	
9	91701-06028-00	PIN, CLEVIS	1	
10	90201-061A5-00	WASHER, PLATE	1	
11	91490-20020-00	PIN, COTTER	1	
12	26A-27286-00-00	COVER, DUST	2	
13	93430-08007-00	CIRCLIP	1	
14	90508-32589-00	SPRING, TORSION	1	
15	26A-27231-00-00	ROD, BRAKE	1	
16	90240-06103-00	PIN, CLEVIS	1	
17	92990-06200-00	WASHER	1	
18	91490-20020-00	PIN, COTTER	1	
19	90501-10245-00	SPRING, COMPRESSION	1	
20	1W2-27239-00-00	SEAT, SPRING	1	
21	20E-26343-00-00	NUT, ADJUSTING	1	
22	97011-06020-00	BOLT	1	
23	95380-06700-00	NUT	1	
24	23X-27411-02-00	FOOTREST 1	1	
25	23X-27421-03-00	FOOTREST 2	1	
26	(26A-27422-00-00)	BRACKET, FOOTREST 2	1	
27	90240-10101-00	PIN, CLEVIS	2	
28	91401-25020-00	PIN, COTTER	2	
29	90508-20583-00	SPRING, TORSION	2	

CONTINUED ON NEXT FRAME ➤

# STAND-FOOTREST

Ref. No.	Part Number	Description	Qty	Remarks
30	90201-10119-00	WASHER, PLATE .....	2	
31	90105-12096-00	BOLT, WASHER BASED .....	1	
32	95811-10020-00	BOLT, FLANGE (95822-10020-00) .....	1	





# METER

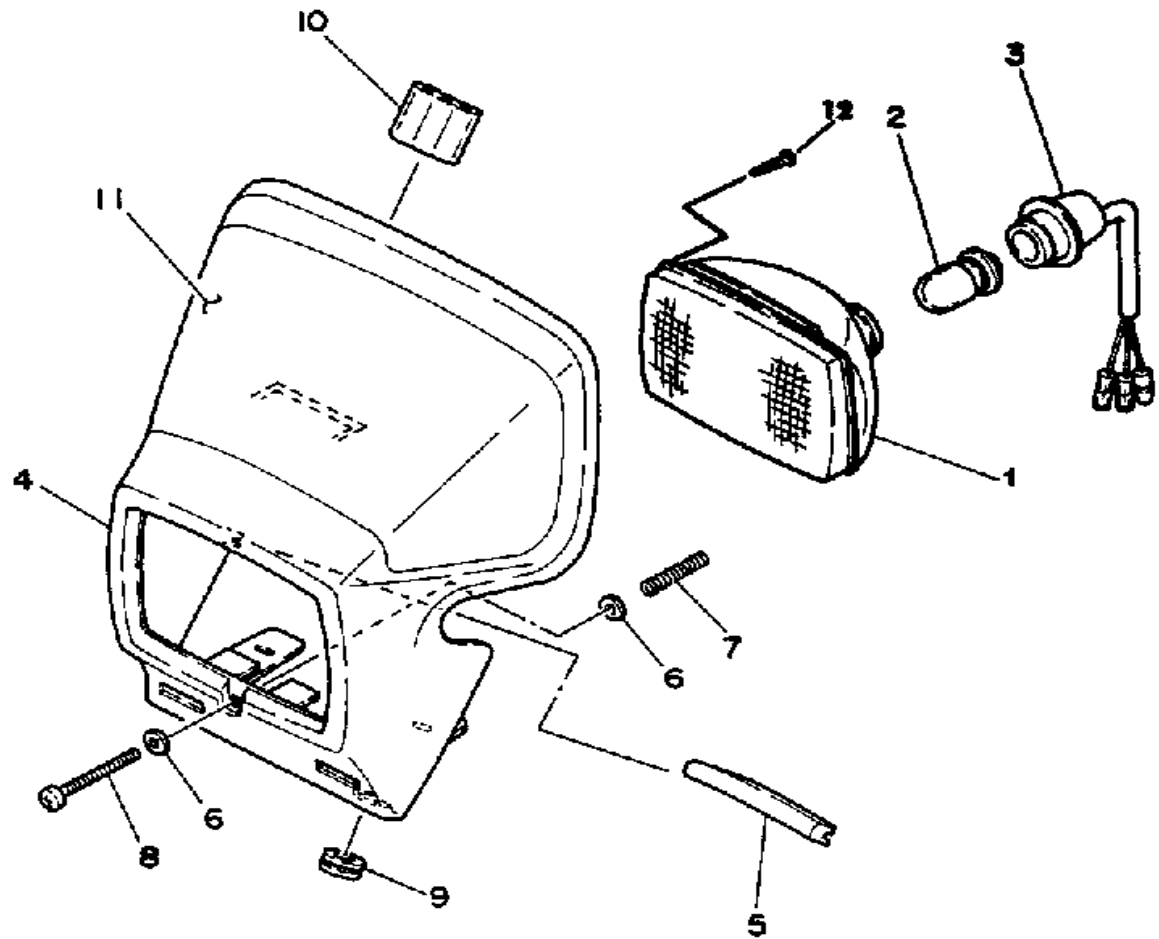
Ref. No.	Part Number	Description	Qty	Remarks
1	4V5-83505-60-00	TRIP METER CMPLT .....	1	U.R. MILE
2	4V5-83578-00-00	. KNOB, TRIP METER .....	1	
3	4V5-83505-F0-00	TRIP METER CMPLT .....	1	U.R. KM
4	4V5-83578-00-00	. KNOB, TRIP METER .....	1	
5	4V5-83513-00-00	DAMPER .....	1	
6	26A-83519-00-00	BRACKET, METER .....	1	
7	1M1-83526-00-00	DAMPER 2 .....	2	
8	90201-052E2-00	WASHER, PLATE .....	2	
9	90468-10050-00	CLIP .....	2	
10	95811-06012-00	BOLT, FLANGE .....	2	
11	4V5-83550-01-00	SPEEDOMETER CABLE .....	1	



26A100-3270



# HEADLIGHT

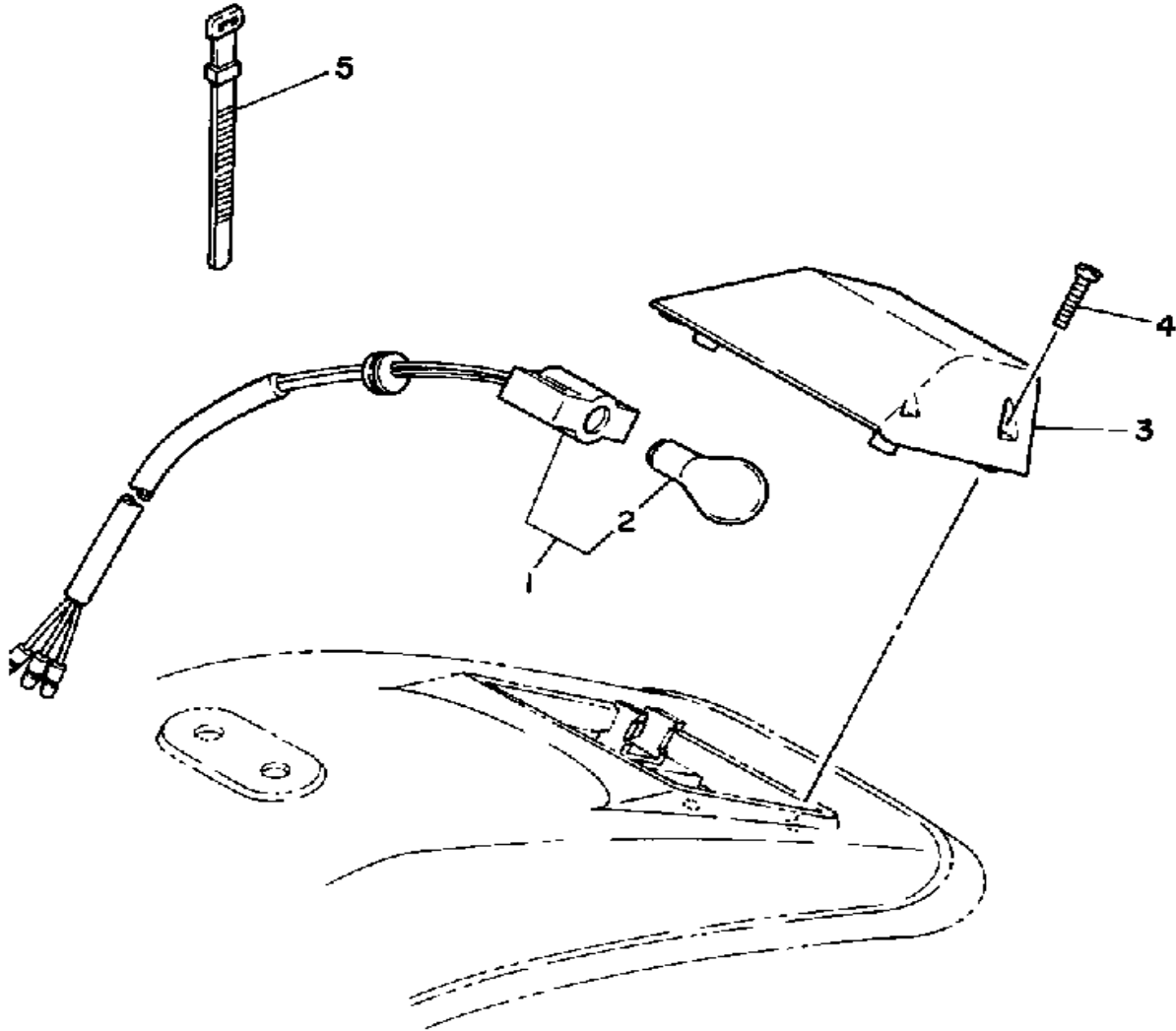


Ref. No.	Part Number	Description	Qty	Remarks
1	18A-84120-00-00	LENS ASSEMBLY (26A-84110-00)	1	
2	527-84114-09-XX	BULB, HL 6V25/25W	1	
3	26A-84140-00-00	SOCKET CORD ASSEMBLY	1	
4	26A-84111-01-00	BODY, HEADLIGHT (26A-84111-00)	1	
5	26A-84143-00-00	DAMPER, HEADLIGHT STAY	1	
6	92901-04600-00	WASHER, PLATE	2	
7	18A-84132-00-00	SPRING, SCREW	1	
8	97701-40555-00	SCREW, RIM ADJUSTER (18A-84131-00-00)	1	
9	90480-12053-00	GROMMET	2	
10	4V5-83592-00-00	DAMPER	1	
11	26A-84141-00-00	EMBLEM, HEADLIGHT	1	
12	97701-40510-00	SCREW, TAPPING	2	



26A100-3280

# TAILLIGHT

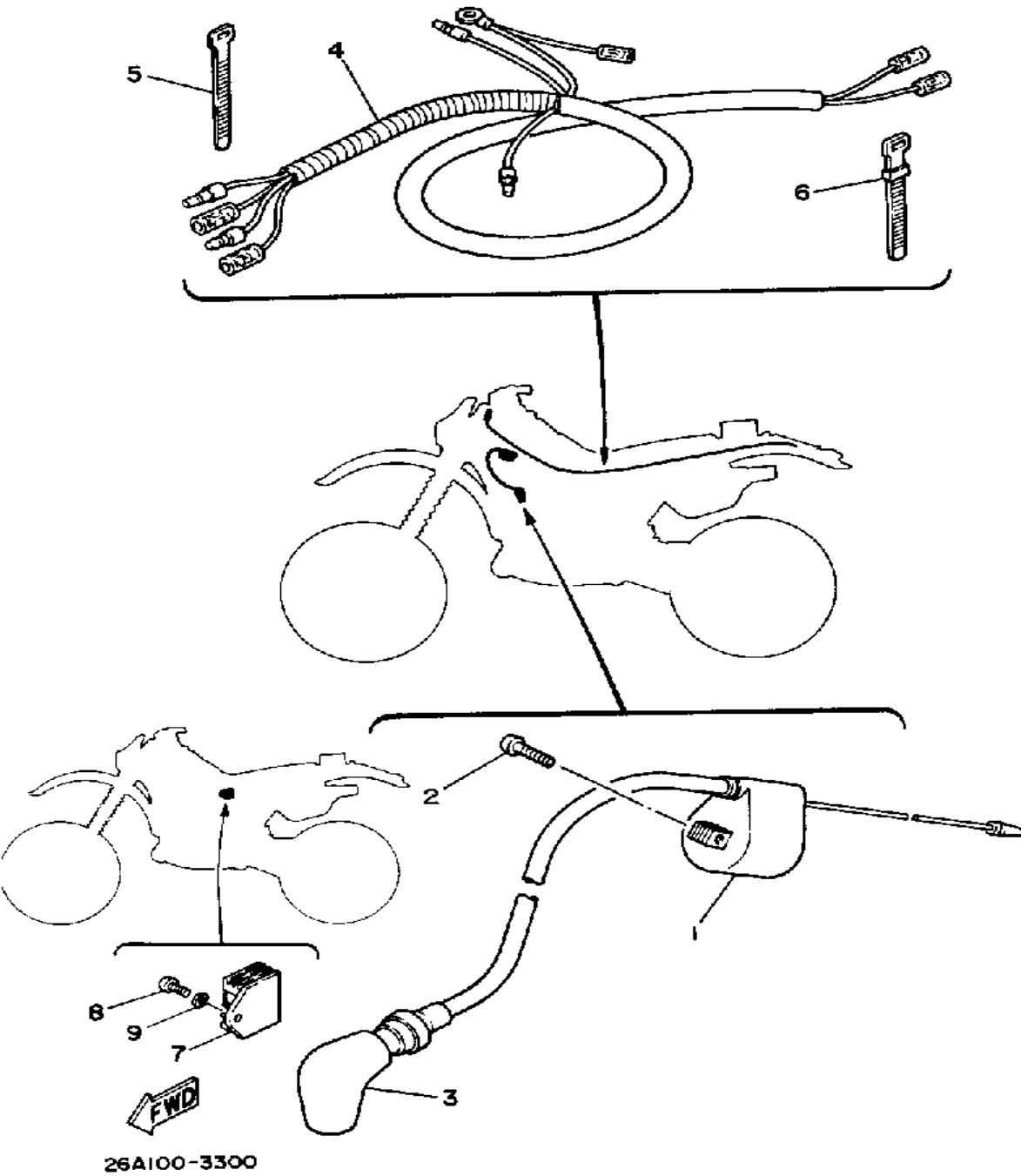


Ref. No.	Part Number	Description	Qty	Remarks
1	4V5-84536-00-00	SOCKET CORD ASSEMBLY ..	1	
2	122-84514-30-00	. BULB .....	1	
3	26A-84521-00-00	LENS, TAILLIGHT .....	1	
4	98511-04020-00	SCREW, PAN HEAD .....	4	
5	437-83936-01-00	BAND, SWITCH CORD .....	2	



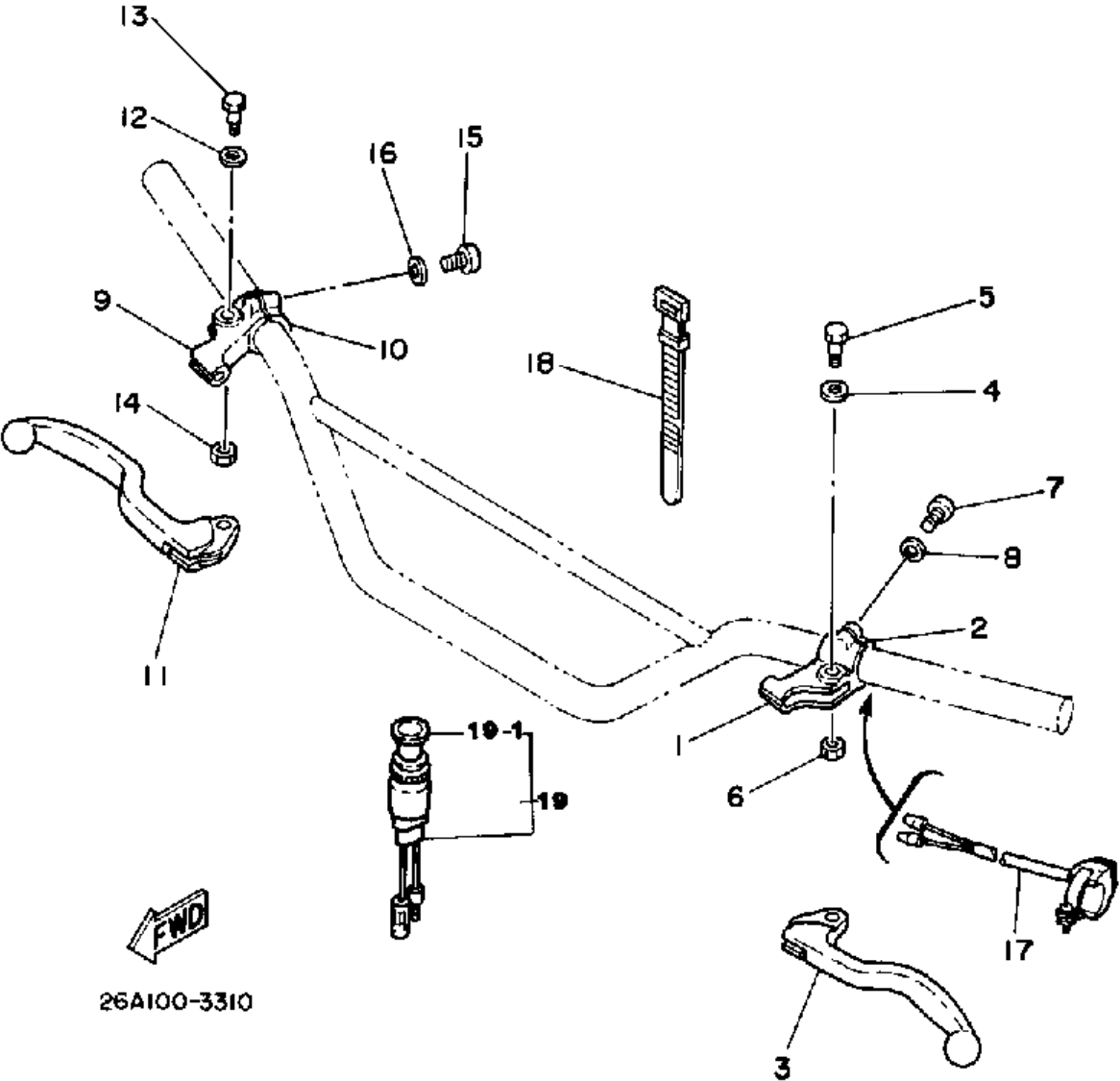
A100-3290

# ELECTRICAL



Ref. No.	Part Number	Description	Qty	Remarks
1	43G-82310-40-00	IGNITION COIL ASSEMBLY ...	1	
2	98580-06020-00	SCREW .....	2	
3	81E-82370-20-00	PLUG CAP ASSEMBLY .....	1	
4	26A-82590-00-00	WIRE HARNESS ASSEMBLY .....	1	
	26A-82590-01-00	WIRE HARNESS ASSEMBLY .....	1	
5	437-83936-01-00	BAND, SWITCH CORD .....	2	
6	437-83936-11-00	BAND, SWITCH CORD .....	2	
7	4F4-81910-60-00	VOLTAGE REG ASSEMBLY ..	1	U.R.
8	98503-06014-00	SCREW, PAN HEAD (92502-06016) .....	1	
9	92995-06100-00	WASHER, SPRING .....	1	

# HANDLE SWITCH-LEVER



26A100-3310

Ref. No.	Part Number	Description	Qty	Remarks
1	5F6-82911-00-00	HOLDER, LEVER 1	1	
2	4V4-82913-00-00	HOLDER, LEVER LOWER 1	1	
3	23X-83912-00-00	LEVER 1	1	
4	90201-08083-00	WASHER, PLATE	1	
5	90109-06797-00	BOLT	1	
6	95601-06100-00	NUT, U	1	
7	98506-05020-00	SCREW, PAN HEAD	2	
8	92906-05100-00	WASHER, SPRING	2	
9	38V-82921-00-00	HOLDER, LEVER 2	1	
10	4V4-82913-00-00	HOLDER, LEVER LOWER 1	1	
11	23X-83922-00-00	LEVER 2	1	
12	90201-08083-00	WASHER, PLATE	1	
13	90109-06797-00	BOLT	1	
14	95601-06100-00	NUT, U	1	
15	98506-05020-00	SCREW, PAN HEAD	2	
16	92906-05100-00	WASHER, SPRING	2	
17	23X-83976-00-00	SWITCH, HANDLE 1	1	
18	437-83936-01-00	BAND, SWITCH CORD	2	
19	4V5-82520-00-00	LIGHT SWITCH ASSEMBLY	1	
19-1	(4V5-00000-00-XX)	KNOB AND SCREW SET	1	

## IT490K 1983 SERVICE DATA

<b>MODEL - IMV I.D. NUMBER</b>	IT490K	26A
Initial Engine Number / Frame Number	26A-000101 / 26A-000101	
Fuel Type/Total Fuel Tank Capacity/Reserve Cap.	Premium / 13.5 Lit. / ∅	

<b>ENGINE TYPE</b>	2-Stroke, Reed Valve	
Bore/Stroke/Number Cylinders/Displacement	87mm / 82mm / 1 / 487cc	
Compression Ratio/Compression Pressure Min~Max	6.7:1 / NA	
Piston Skirt Clearance New / Max	0.070 ~ 0.075mm / 0.10mm	
Ring End Gap Top / 2nd / 3rd	0.35 ~ 0.50mm / 0.35 ~ 0.50mm / ∅	
Valve Clearance (Cold) Intake / Exhaust	∅	
Oiling System	Premix 24:1 Using Yamalube R*	
Capacity: Dry	∅	
Oil and Filter Change	∅	
Oil Change Only	∅	
Lubricant: Temp. Above 5°C (40°F)	Yamalube R*	
Temp. Below 15°C (60°F)	Yamalube R*	
Cooling System / Capacity	Air / ∅	
Coolant Type / Mixing Ratio	∅ / ∅	

<b>AUTOLUBE - Min Stroke / Color Code</b>	∅	
Minimum Output @ 200 Cycles	∅	
Maximum Output @ 200 Cycles	∅	

<b>CARBURETOR - Manufacturer / Type / I.D. Number</b>	Mikuni / VM38SS / 4V6-10	
Main Jet / Pilot Jet / Pilot Screw (Turns Out)	390 / 40 / 1-3/8	
Needle Jet / Jet Needle-Clip Position	Q-2 / 6F39-4	
Slide Cutaway	2.0	
Float Level / Fuel Level	27mm / NA	
Idle rpm	Rider's Preference	
Max CO* / Max HC* / Set CO	∅	

<b>SUSPENSION</b>		
Front: Inner Tube Diameter	43mm	
Oil Type / Level / Qty	10 Wt. Fork Oil* / 170mm / 578cc	
Gas Pressure Min ~ Max / Standard	0 ~ 1.2 kg/cm <sup>2</sup> / 0 kg/cm <sup>2</sup>	
Spring Length Standard	529mm	
Rear: Gas Pressure Min ~ Max / Standard	12 ~ 20 kg/cm <sup>2</sup> / 15 kg/cm <sup>2</sup>	
Minimum Brake Lining Thickness Front / Rear	2.0mm / 2.0mm	
Tire Size (Nominal Pressure) Front / Rear	3.00-21 (Variable) / 150/80-18 (Variable)	

<b>TRANSMISSION - Oil Type / Qty Change / Qty Dry</b>	SAE 10W30 SE or SF / 750cc / 800cc	
Secondary Drive Type / Teeth / Chain	Chain / 44-14 / DK520VS110L	
Middle Gear Case Capacity	∅	
Final Gear Case Capacity	∅	
Gear Case Lubricant	∅	

SERVICE COPY	SER MGR	MECH	MECH	MECH	BINDER
OFFICE COPY	GEN MGR	SALES	PARTS	BINDER	PAGE 1 OF 2

	∅
Battery: Model / Specific Gravity / Charge Rate	∅
Maximum Output	∅
Field Coil Color Code / Ω	∅
Stator Coil Color Code / Ω	∅
Charge Coil Color Code / Ω	∅

	Capacitor Discharge Ignition
Ignition Timing	1.9 ~ 2.1mm
Spark Plug Type	Champion N-3C
Spark Plug Gap / Torque / Cap Ω	0.7 ~ 0.8mm / 2.0 m·kg / 0Ω
Point Gap / Condenser Capacitance	∅
Ignition Coil Test Gap / Primary Ω / Secondary Ω	6mm / 1.0Ω ± 15% / 5.9KΩ ± 15%
Pulser Coil or Pickup Coil Color Code / Ω	Wht-Red ~ Blk / 12.4Ω ± 10%
Source Coil Color Code / Ω	Brn ~ Blk / 420Ω ± 10%

Headlight / Taillight / Signal Rating	6V25-25W / 6V-3W / ∅
Lighting Coil Color Code / Ω	Yel-Red ~ Blk / 0.48Ω ± 10%

Front Axle Nut	M14: 6.0 m·kg
Front Axle Holder Nut	M8: 2.0 m·kg
Rear Axle Nut	M18: 10.0 m·kg
Rear Axle Pinch Bolt	∅
Clutch Nut	M20: 7.5 m·kg
Drain Plug	M12: 2.0 m·kg
Flywheel Nut	M12: 8.5 m·kg
Cylinder Head Cover	∅
Cylinder Head:	M8: 2.0 m·kg
Engine Mounting Bolts: Upper Bracket	M10: 5.5 m·kg
Upper	M8: 3.0 m·kg
Lower	M8: 3.0 m·kg

∅ = Does Not Apply To This Model  
NA = Information Not Available

\*Available From Yamaha Parts Distributors Inc.  
\*For Diagnostic Use Only

### SERVICE LITERATURE

PUBLICATION	PART NUMBER	REMARKS
Owner's/Service Manual Assembly Manual	LIT-11626-03-72 LIT-11666-03-72	Comb. with IT250K Supp. to YZ/IT Basic Assembly Manual (03-31)

## IT490L 1984 SERVICE DATA

<b>MODEL - IBM I.D. NUMBER</b>	IT490L	26A
Initial Engine Number / Frame Number	26A-100101 / JYA26A00( )EA100101	
Fuel Type / Total Fuel Tank Capacity / Reserve Cap.	Premium / 13.5 Lit / $\emptyset$	

<b>ENGINE TYPE</b>	2-Stroke, Reed Valve	
Bore / Stroke / Number Cylinders / Displacement	87mm / 82mm / 1 / 487cc	
Compression Ratio / Pressure Min ~ Max	6.7:1 / NA	
Piston Skirt Clearance New / Max	0.070 ~ 0.075mm / 0.10mm	
Ring End Gap Top / 2nd / 3rd	0.35 ~ 0.50mm / 0.35 ~ 0.50mm / $\emptyset$	
Valve Clearance (Cold) Intake / Exhaust	$\emptyset$	
Oiling System	Premix (24:1 Using Yamalube R*)	
Capacity: Dry	$\emptyset$	
Oil and Filter Change	$\emptyset$	
Oil Change Only	$\emptyset$	
Lubricant: Temp Above 5°C (40°F)	Yamalube R*	
Temp Below 15°C (60°F)	Yamalube R*	
Cooling System / Capacity	Air / $\emptyset$	
Coolant Type / Mixing Ratio	$\emptyset$ / $\emptyset$	

<b>AUTOLUBE - Min Stroke / Color Code</b>	$\emptyset$	
Minimum Output @ 200 Cycles	$\emptyset$	
Maximum Output @ 200 Cycles	$\emptyset$	

<b>CARBURETOR - Manufacturer / Type / I.D. Number</b>	Mikuni / VM38SS / 4V6-10	
Main Jet / Pilot Jet / Pilot Screw (Turns Out)	390 / 40 / 1-3/8	
Needle Jet / Jet Needle-Clip Position	Q-2 / 6F39-4	
Slide Cutaway	2.0	
Float Level / Fuel Level	27mm / NA	
Idle rpm	Rider's Preference	
Max CO <sub>e</sub> / Max HC <sub>e</sub> / Set CO	$\emptyset$	

<b>SUSPENSION -</b>		
Front: Inner Tube Diameter	43mm	
Oil Type / Level / Qty	10 Wt. Fork Oil* / 170mm / 578cc	
Gas Pressure Min ~ Max / Standard	0 ~ 1.2kg/cm <sup>2</sup> / 0 kg/cm <sup>2</sup>	
Spring Length Standard	529mm	
Rear: Gas Pressure Min ~ Max / Standard	12 ~ 20 kg/cm <sup>2</sup> / 15 kg/cm <sup>2</sup>	
Minimum Brake Lining Thickness Front / Rear	2.0mm / 2.0mm	
Tire Size (Nominal Pressure) Front / Rear	3.00-21 (Variable) / 150/80-18 (Variable)	

<b>TRANSMISSION - Oil Type / Qty Change / Qty Dry</b>	SAE 10W30 SE or SF / 750cc / 800cc	
Secondary Drive Type / Teeth / Chain	Chain / 44-14 / DK520VS-110L	
Middle Gear Case Capacity	$\emptyset$	
Final Gear Case Capacity	$\emptyset$	
Gear Case Lubricant	$\emptyset$	

SERVICE COPY	SER MGR	MECH	MECH	MECH	BINDER
OFFICE COPY	GEN MGR	SALES	PARTS	BINDER	PAGE 1 OF 2

<b>CHARGING SYSTEM</b>	$\emptyset$
Battery: Model / Specific Gravity / Charge Rate	$\emptyset$
Maximum Output	$\emptyset$
Field Coil Color Code / $\Omega$	$\emptyset$
Stator Coil Color Code / $\Omega$	$\emptyset$
Charge Coil Color Code / $\Omega$	$\emptyset$

<b>IGNITION SYSTEM</b>	Capacitor Discharge Ignition
Ignition Timing	1.9 ~ 2.1mm
Spark Plug Type	Champion N-3C
Spark Plug Gap / Torque / Cap $\Omega$	0.7 ~ 0.8mm / 2.0 m-kG / 0 $\Omega$
Point Gap / Condenser Capacitance	$\emptyset$
Ignition Coil Test Gap / Primary $\Omega$ / Secondary $\Omega$	6mm / 1.0 $\Omega$ $\pm$ 15% / 5.9K $\Omega$ $\pm$ 15%
Pulser Coil or Pickup Coil Color Code/ $\Omega$	Whi-Red ~ Blk / 12.4 $\Omega$ $\pm$ 10%
Source Coil Color Code / $\Omega$	Brn ~ Blk / 420 $\Omega$ $\pm$ 10%

<b>LIGHTING SYSTEM</b>	
Headlight / Taillight / Signal Rating	6V25-25W / 6V-3W / $\emptyset$
Lighting Coil Color Code / $\Omega$	Yel-Red ~ Blk / 0.48 $\Omega$ $\pm$ 10%

<b>TORQUE VALUES</b>	
Front Axle Nut	M14: 6.0 m-kG
Front Axle Holder Nut	M8: 2.0 m-kG
Rear Axle Nut	M18: 10.0 m-kG
Rear Axle Pinch Bolt	$\emptyset$
Clutch Nut	M20: 7.5 m-kG
Drain Plug	M12: 2.0 m-kG
Flywheel Nut	M12: 8.5 m-kG
Cylinder Head Cover	$\emptyset$
Cylinder Head:	M8: 2.0 m-kG
Engine Mounting Bolts: Upper Bracket	M10: 5.5 m-kG
Upper	M8: 3.0 m-kG
Lower	M8: 3.0 m-kG

$\emptyset$  = Does Not Apply to This Model  
NA = Information Not Available

\* = Available from YPDI  
⊛ = For Diagnostic Use Only

### SERVICE LITERATURE

PUBLICATION	PART NUMBER	REMARKS
Owner's/Service Manual	LIT-11626-04-30	Supp. to YZ/IT Basic Assembly Manual (03-31) Does Not Apply
Assembly Manual	LIT-11666-04-30	
Consumer Info.		

MOTORCYCLE	DATE 11/11/83	BUL M83-024
------------	---------------	-------------

<b>CHARGING SYSTEM</b>	∅
Battery: Model / Specific Gravity / Charge Rate	∅
Maximum Output	∅
Field Coil Color Code / Ω	∅
Stator Coil Color Code / Ω	∅
Charge Coil Color Code / Ω	∅

<b>IGNITION SYSTEM</b>	Capacitor Discharge Ignition
Ignition Timing	1.9 ~ 2.1mm
Spark Plug Type	Champion N-3C
Spark Plug Gap / Torque / Cap Ω	0.7 ~ 0.8mm / 2.0 m·kg / 0Ω
Point Gap / Condenser Capacitance	∅
Ignition Coil Test Gap / Primary Ω / Secondary Ω	6mm / 1.0Ω ± 15% / 5.9KΩ ± 15%
Pulser Coil or Pickup Coil Color Code/Ω	Whi-Red ~ Blk / 12.4Ω ± 10%
Source Coil Color Code / Ω	Brn ~ Blk / 420Ω ± 10%

<b>LIGHTING SYSTEM</b>	
Headlight / Taillight / Signal Rating	6V25-25W / 6V-3W / ∅
Lighting Coil Color Code / Ω	Yel-Red ~ Blk / 0.48Ω ± 10%

<b>TORQUE VALUES</b>	
Front Axle Nut	M14: 6.0 m·kg
Front Axle Holder Nut	M8: 2.0 m·kg
Rear Axle Nut	M18: 10.0 m·kg
Rear Axle Pinch Bolt	∅
Clutch Nut	M20: 7.5 m·kg
Drain Plug	M12: 2.0 m·kg
Flywheel Nut	M12: 8.5 m·kg
Cylinder Head Cover	∅
Cylinder Head:	M8: 2.0 m·kg
Engine Mounting Bolts: Upper Bracket	M10: 5.5 m·kg
Upper	M8: 3.0 m·kg
Lower	M8: 3.0 m·kg

∅ = Does Not Apply to This Model  
NA = Information Not Available

\* = Available from YPDI  
⊕ = For Diagnostic Use Only

**SERVICE LITERATURE**

PUBLICATION	PART NUMBER	REMARKS
Owner's/Service Manual Assembly Manual Consumer Info.	LIT-11626-04-30 LIT-11666-04-30	Supp. to YZ/IT Basic Assembly Manual (03-31) Does Not Apply