

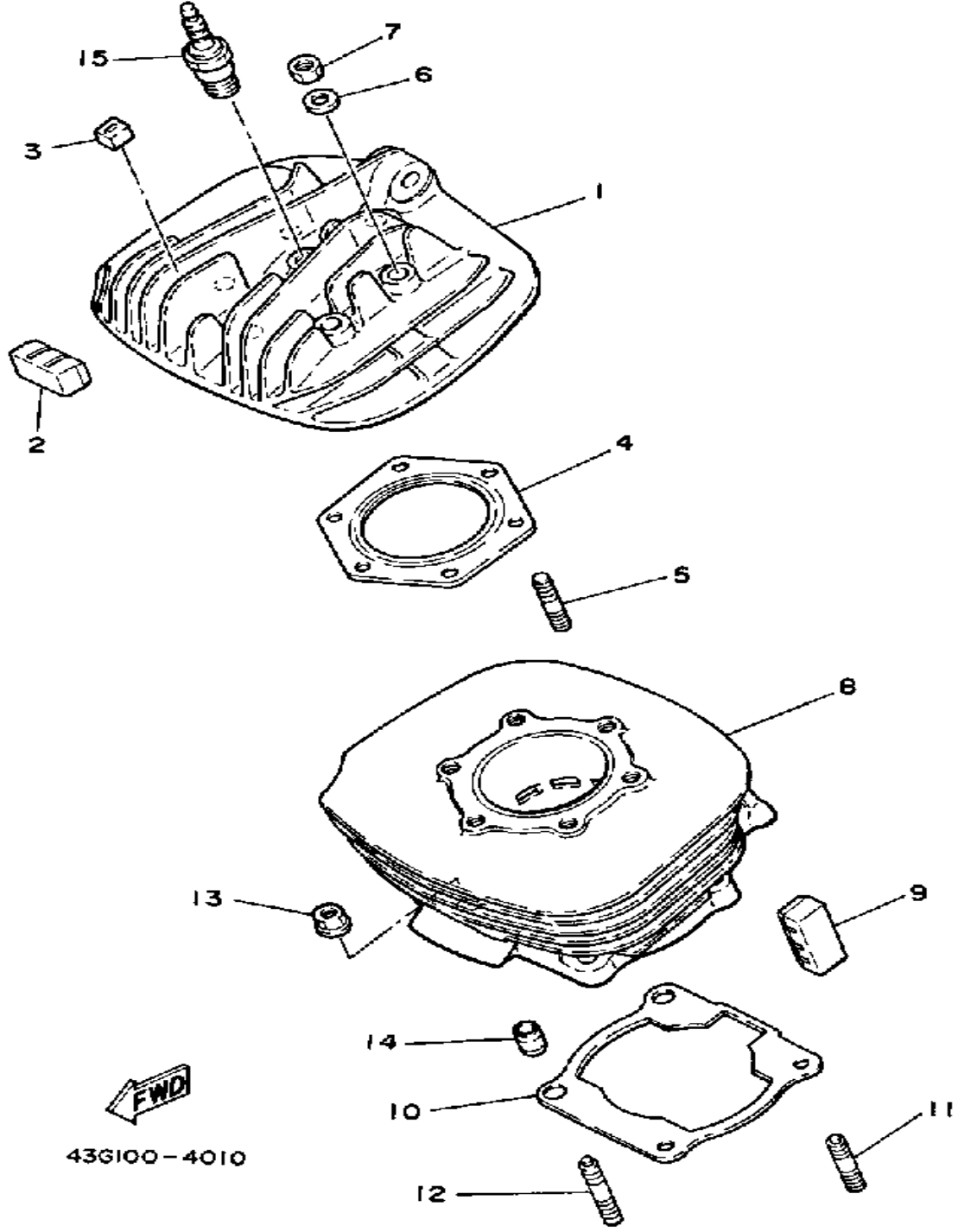
YAMAHA

GENUINE

PARTS CATALOGUE

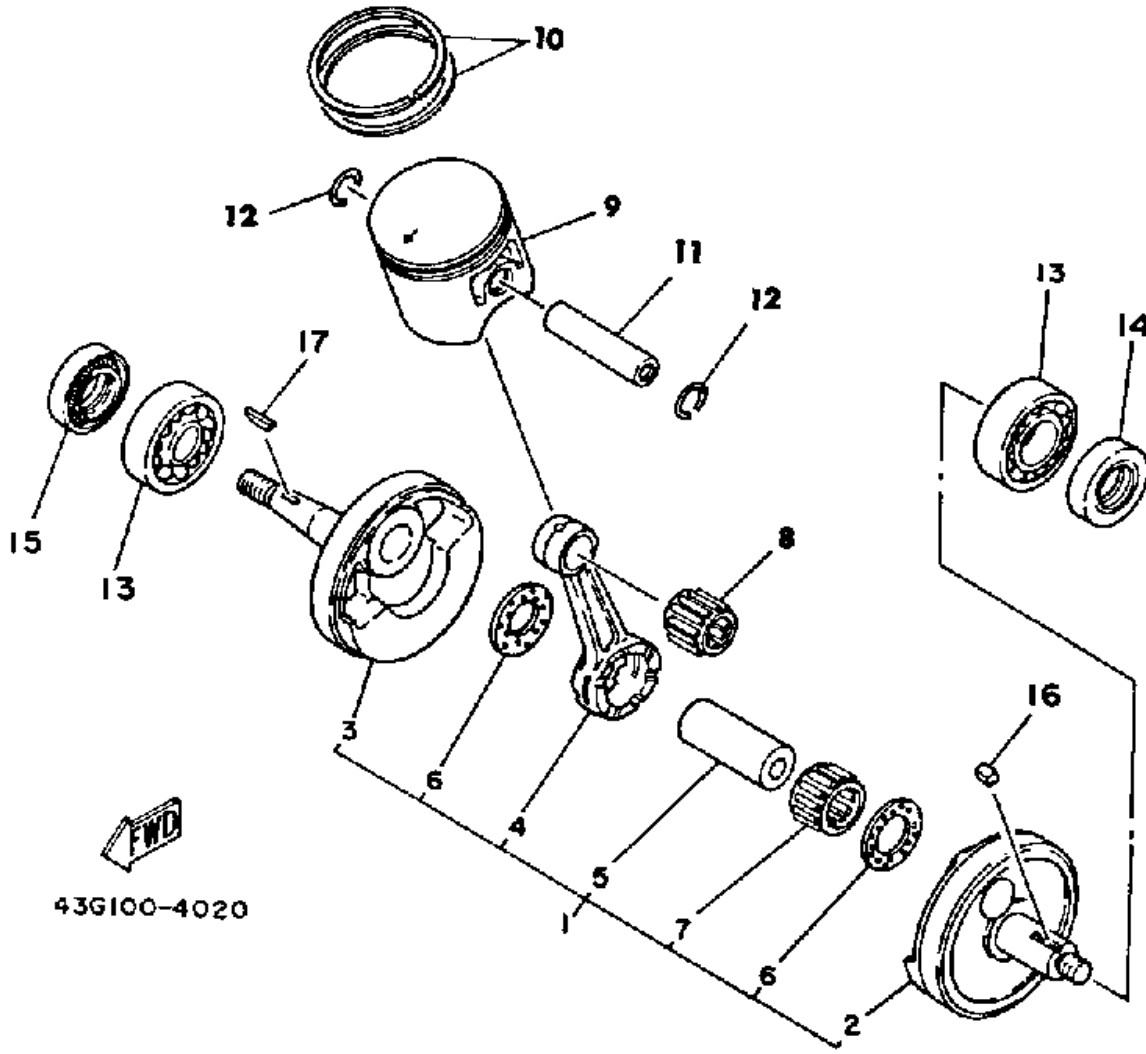
MOTORCYCLE

CYLINDER



Ref. No.	Part Number	Description	Qty	Remarks
1	43G-11111-00-00	HEAD, CYLINDER 1	1	
2	3R9-11162-00-00	ABSORBER 2	2	
3	521-11161-01-00	ABSORBER 1	5	
4	43G-11181-01-00	GASKET, CYLINDER HEAD 1HEAD 1	1	
5	90116-08394-00	BOLT, STUD	6	
6	90201-08649-00	WASHER, PLATE	6	
7	95333-08600-00	NUT	6	
8	43G-11311-00-00	CYLINDER 1	1	
9	3R6-11162-00-00	ABSORBER 2	4	
10	43G-11351-01-00	GASKET, CYLINDER	1	
11	90116-08318-00	BOLT, STUD	2	
12	90116-08409-00	BOLT, STUD	2	
13	90179-08246-00	NUT, SPEC'L SHAPE	4	
14	99510-10114-00	PIN, DOWEL	2	
15	NGK-B8EG0-00-00	PLUG, SPARK (NGK B8EG) (94702-00323-00)	1	U.R.ä LM

CRANKSHAFT - PISTON



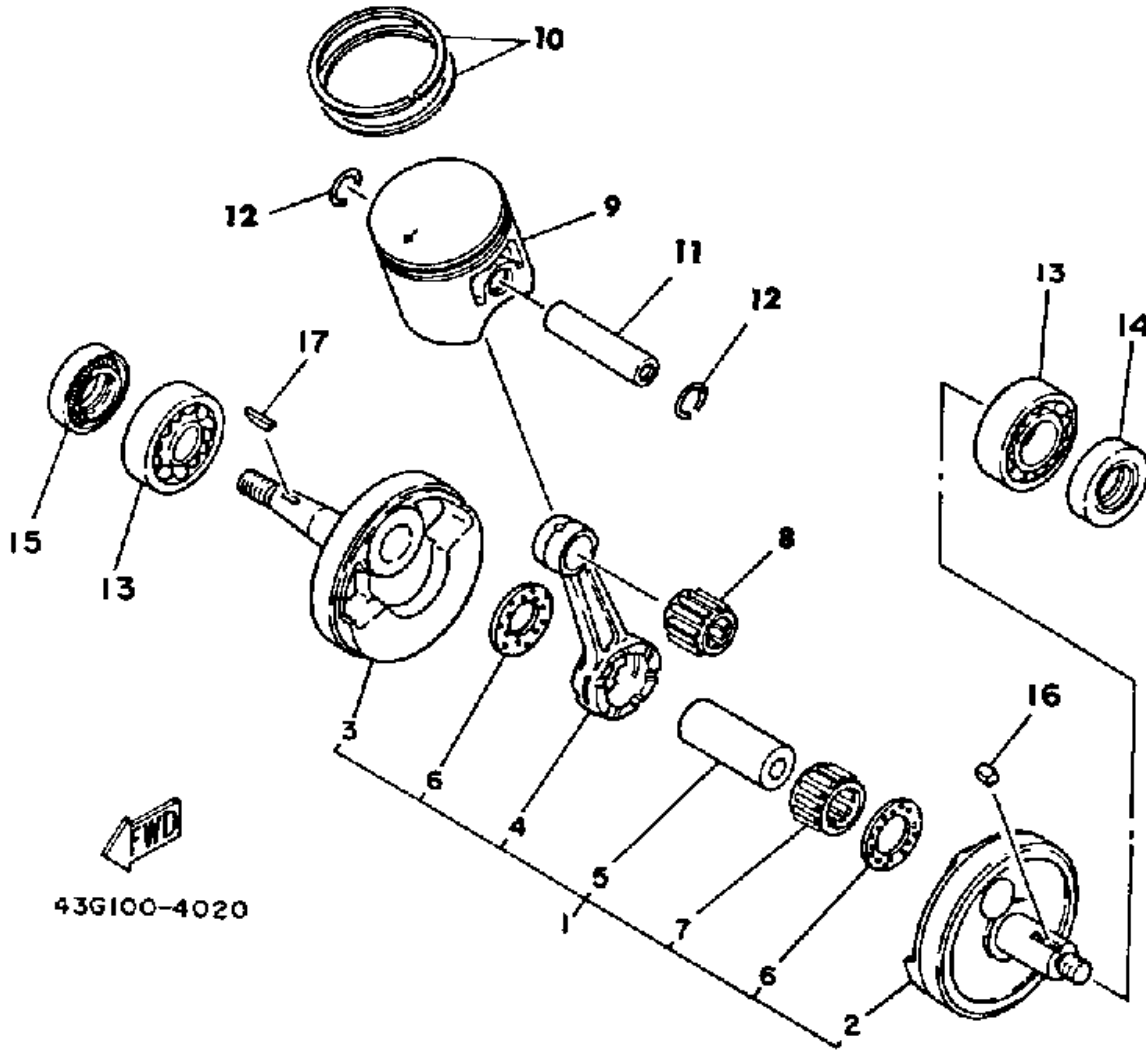
IT200L/IT200N

Piston Skirt Clearance New / Max	0.050 ~ 0.055mm / 0.10mm
Ring End Gap Top / 2nd / 3rd	0.20 ~ 0.35mm / 0.20 ~ 0.35mm / ϕ

Ref. No.	Part Number	Description	Qty	Remarks
1	43G-11400-00-00	CRANKSHAFT ASSEMBLY	1	
2	43G-11412-00-00	. CRANK 1	1	
3	43G-11422-00-00	. CRANK 2	1	
4	43G-11651-00-00	ROD, CONNECTING	1	
5	43G-11681-00-00	PIN, CRANK 1	1	
6	90209-22248-00	WASHER	2	
7	93310-522M4-00	BEARING, CYLINDRICAL	1	
8	93310-316H6-00	BEARING	1	
9	43G-11631-00-95	PISTON STD	1	
10	3JM-11601-00-00	PISTON RING SET (STD)	1	
11	251-11633-00-00	PIN, PISTON	1	
12	93450-17129-00	CIRCLIP	2	
13	93306-20562-00	BEARING	2	
14	93103-32171-00	OIL SEAL (93103-32099-00)	1	
15	93102-25331-00	OIL SEAL	1	
16	90282-05034-00	KEY, STRAIGHT	1	
17	43G-11601-10-00	PISTON RINGSET 1ST (1ST O/S)	1	
	43G-11601-20-00	PISTON RINGSET 2ND (2ND O/S)	1	
	43G-11601-30-00	PISTON RINGSET 3RD	1	
	43G-11601-40-00	PISTON RINGSET 4TH	1	
	43G-11630-10-00	PISTON KIT 1ST (1ST O/S)	1	
	43G-11630-20-00	PISTON KIT 2ND (2ND O/S)	1	
	43G-11630-30-00	PISTON KIT 3RD (3RD O/S)	1	
	43G-11630-40-00	PISTON KIT 4TH (4TH O/S)	1	
	43G-11635-00-00	PISTON 1 O/S 0.25 (1ST O/S 0.25MM)	1	
	43G-11636-00-00	PISTON 2 O/S 0.50 (2ND O/S 0.50MM)	1	

CONTINUED ON NEXT FRAME ►

CRANKSHAFT - PISTON

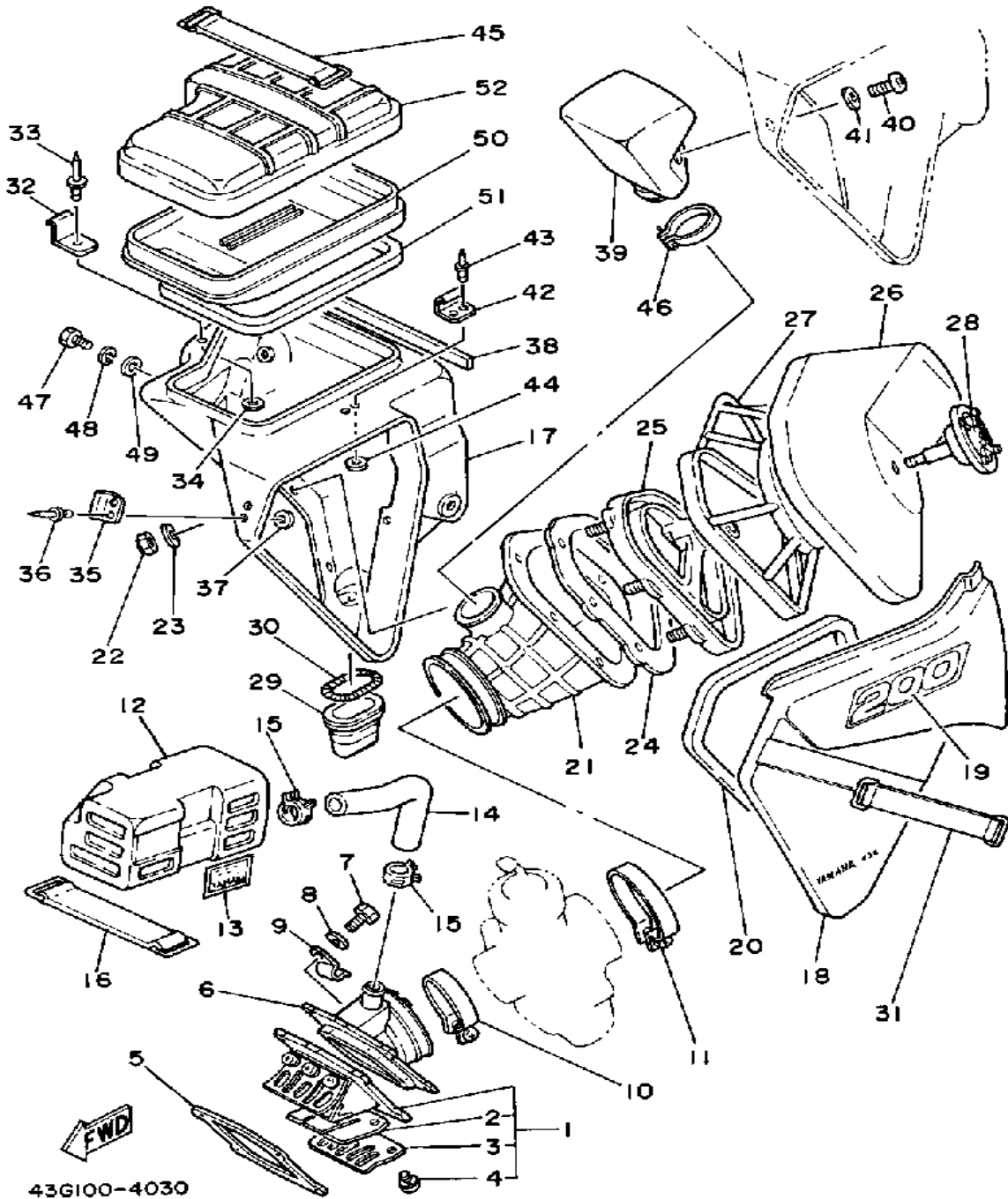


Ref. No.	Part Number	Description	Qty	Remarks
17	43G-11637-00-00	PISTON 3 O/S 0.75 (3RD O/S 0.75MM)	1	
	43G-11638-00-00	PISTON 4 O/S 1.00 (4TH O/S 1.00MM)	1	
	90280-03017-00	KEY, WOODRUFF	1	

IT200L/IT200N

Piston Skirt Clearance New / Max	0.050 ~ 0.055mm / 0.10mm
Ring End Gap Top / 2nd / 3rd	0.20 ~ 0.35mm / 0.20 ~ 0.35mm / ϕ

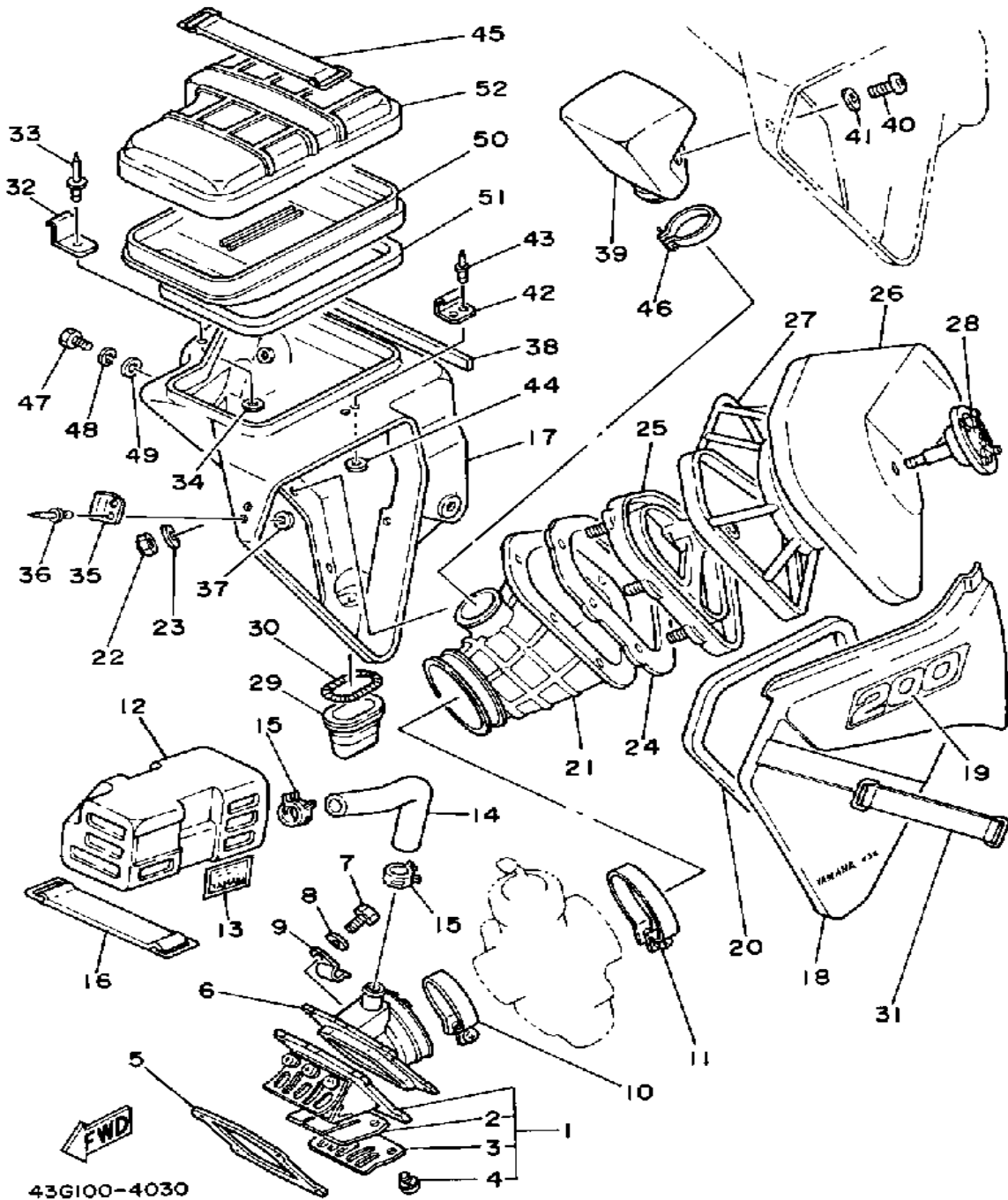
INTAKE



Ref. No.	Part Number	Description	Qty	Remarks
1	1LX-13610-01-00	REED VALVE ASSEMBLY	1	
	43G-13610-00-00	REED VALVE ASSEMBLY	1	
2	3R3-13613-00-00	. REED, VALVE	2	
	55Y-13613-00-00	. REED, VALVE	2	
3	43G-13616-00-00	. STOPPER, REED VALVE	2	
	55Y-13616-00-00	. STOPPER, REED VALVE	2	
4	98580-03008-00	. SCREW, PAN HEAD	6	
5	39W-13621-00-00	GASKET, VALVE SEAT	1	
6	43G-13565-00-00	JOINT, CARBURETOR	1	
7	97011-06025-00	BOLT (97001-06025)	4	
8	90201-061A5-00	WASHER, PLATE	4	
9	90462-05005-00	CLAMP	1	
10	90460-49058-00	CLAMP, HOSE	1	
11	90460-64065-00	CLAMP, HOSE	1	
12	5X8-13581-00-00	CHAMBER, AIR	1	
13	4V3-1441K-00-00	EMBLEM	1	
14	90445-210A6-00	HOSE	1	
15	90467-20050-00	CLIP, SCISSOR	2	
16	1E6-82131-00-00	BAND, BATTERY	1	
17	43G-14411-00-00	CASE, AIR CLEANER 1	1	
18	43G-14412-00-00	CAP, CLEANER CASE 1	1	
19	43G-21781-00-00	EMBLEM 1	1	
20	43G-14452-00-00	SEAL	1	
21	43G-14453-00-00	JOINT, AIR CLNR 1	1	
22	95601-05100-00	NUT, U	6	
23	92901-05600-00	WASHER, PLATE	6	
24	43G-14462-00-00	SEAL	1	
25	43G-14459-00-00	HOLDER, GUIDE	1	
26	43G-14451-00-00	ELEMENT, AIR CLNR	1	

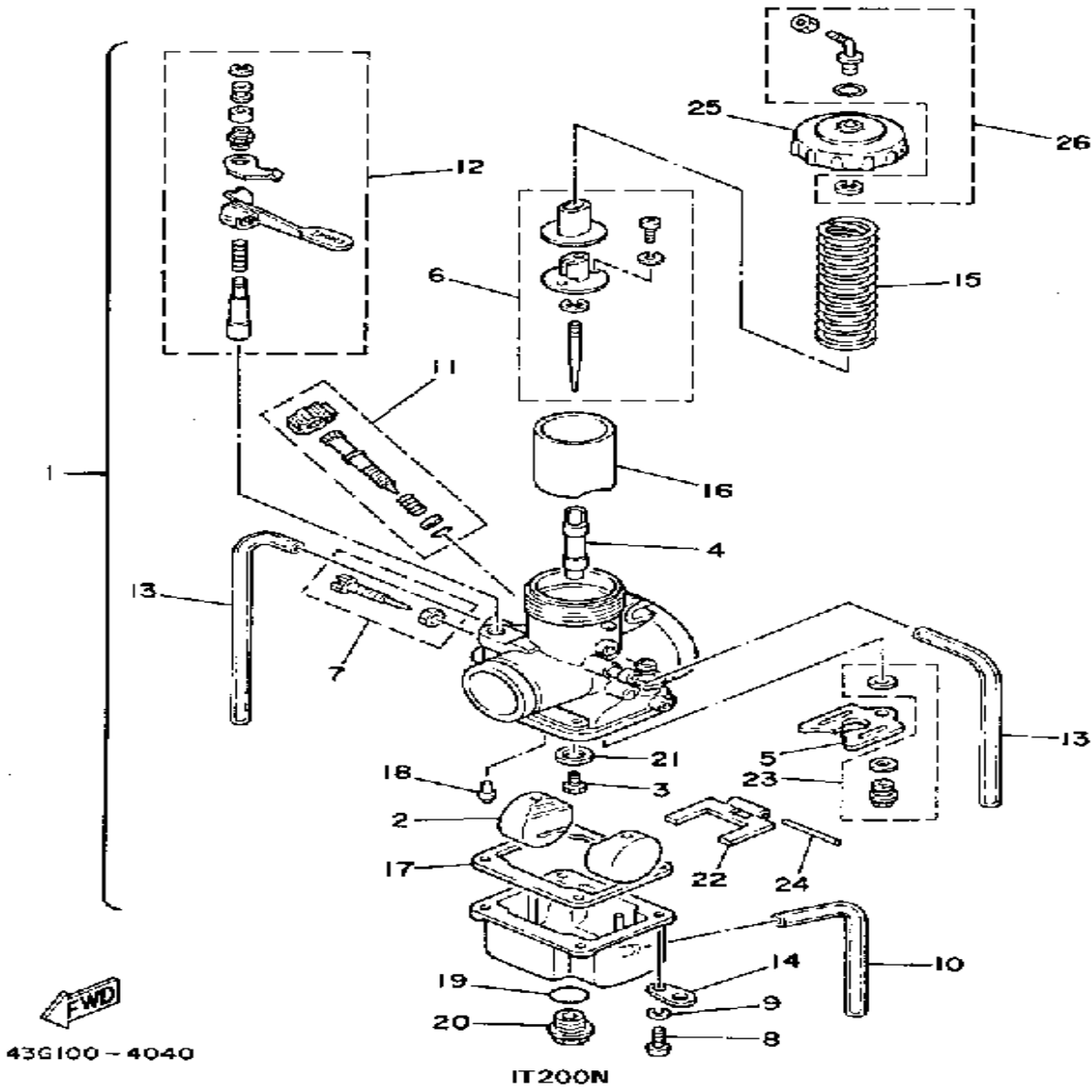
CONTINUED ON NEXT FRAME ►

INTAKE



Ref. No.	Part Number	Description	Qty	Remarks
27	43G-14458-00-00	GUIDE, ELEMENT	1	
28	4V2-14468-02-00	PLATE, ELEMENT FTNG (4V2-14468-01)	1	
29	39K-14457-00-00	SEAL	1	
30	90504-03033-00	SPRING, COMPRESSION	1	
31	43G-14455-00-00	BAND	1	
32	34K-14484-00-00	PLATE, CLNR CS FTNGFITTING	2	
33	90267-40073-00	RIVET, BLIND	2	
34	92990-04200-00	WASHER, PLAIN	2	
35	26A-14436-00-00	HOOK	1	
36	90267-40073-00	RIVET, BLIND	2	
37	92990-04200-00	WASHER, PLAIN	2	
38	43G-14457-00-00	SEAL	1	
39	(43G-13591-00-00)	CHAMBER, AIR 2	1	
40	98580-05010-00	SCREW, PAN HEAD	1	
41	92901-05600-00	WASHER, PLATE	1	
42	(43G-14436-00-00)	HOOK	1	
43	90267-40073-00	RIVET, BLIND	2	
44	92990-04200-00	WASHER, PLAIN	2	
45	133-82131-00-00	BAND, BATTERY	1	
46	90460-36174-00	CLAMP, HOSE	1	
47	97013-06012-00	BOLT	3	
48	92995-06100-00	WASHER, SPRING	3	
49	90201-061A5-00	WASHER, PLATE	3	
50	43G-14437-00-00	DUCT	1	
51	43G-14467-00-00	SEAL	1	
52	43G-14422-00-00	CAP, CLEANER CASE 2	1	

CARBURETOR



43G100 - 4040

IT200N

CARBURETOR - Manufacturer / Type / I.D. Number	Mikuni / VM34SS / 43G-10
Main Jet / Pilot Jet / Pilot Screw (Turns Out)	330 / 20 / 3/4
Needle Jet / Jet Needle-Clip Position	Q-0 / 6F21-3
Slide Cutaway	2.0
Float Level / Fuel Level	23.5 ± 1.0mm / ø
Idle rpm	Rider's Preference
Max CO _e / Max HC _e / Set CO	ø

IT200L

CARBURETOR - Manufacturer / Type / I.D. Number	Mikuni / VM34SS / 43G-00
Main Jet / Pilot Jet / Pilot Screw (Turns Out)	330 / 35 / 1.0
Needle Jet / Jet Needle-Clip Position	P-6 / 6F21-3
Slide Cutaway	2.0
Float Level / Fuel Level	23.5 ± 1.0mm / ø
Idle rpm	Rider's Preference

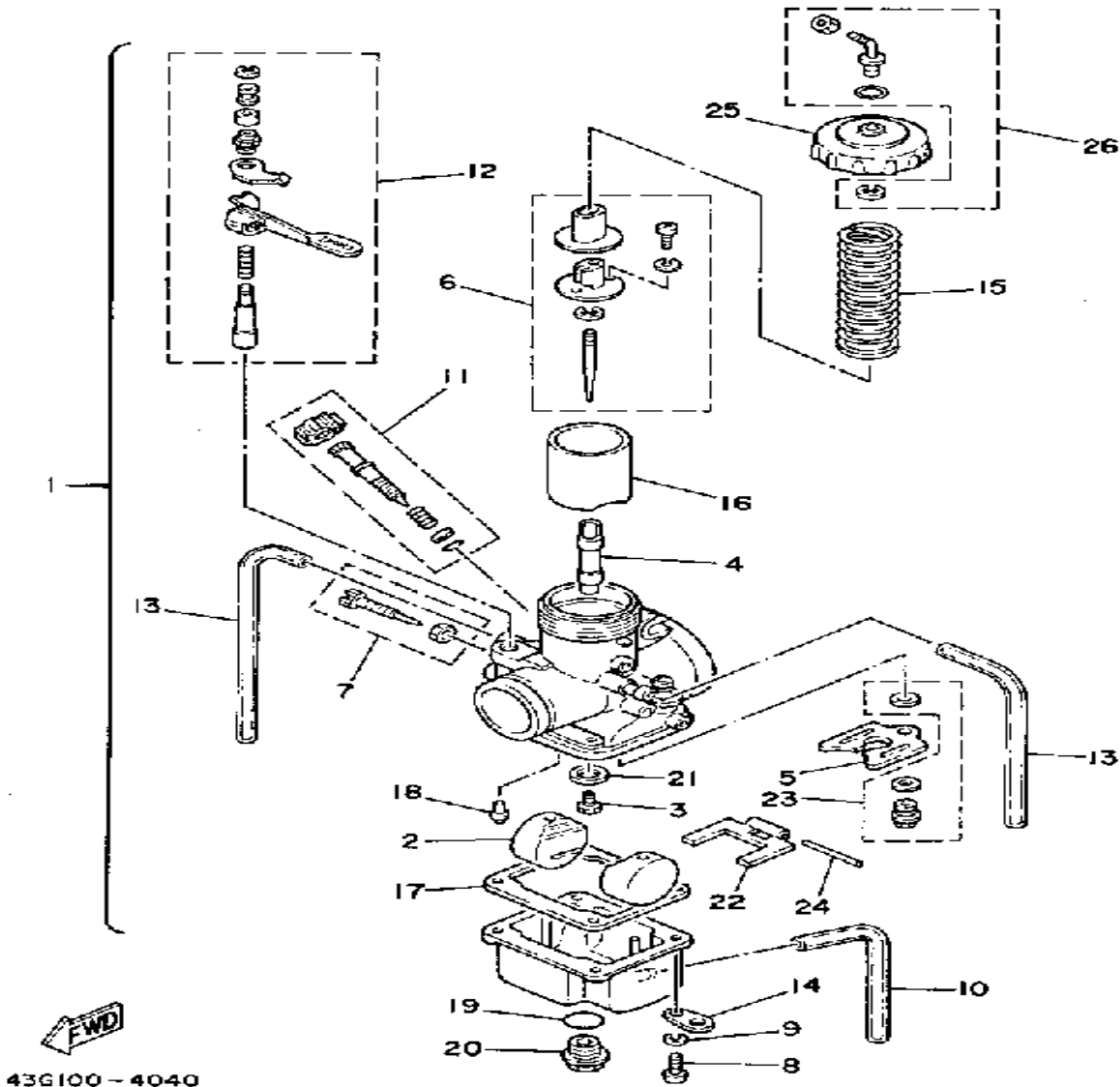
Ref. No.	Part Number	Description	Qty	Remarks
1	(43G-14101-00-00)	CARBURETOR ASSEMBLY 1	1	
	43G-14101-10-00	CARBURETOR ASSEMBLY	1	
2	310-14185-00-00	. FLOAT	2	
3	137-14143-66-A1	. JET MAIN, (# 330)	1	
4	239-14141-46-00	. NOZZLE, MAIN P-6 (P-6)	1	
	239-14141-50-00	. NOZZLE, MAIN Q 0	1	
5	483-14146-00-00	. PLATE	1	
6	24X-1490J-00-00	. NEEDLE SET	1	
7	24X-14103-00-00	. THROTTLE SCREW SET	1	
8	98580-05016-00	. SCREW, PAN HEAD	4	
9	92990-05100-00	. WASHER, SPRING	4	
10	2J2-14196-00-00	. PIPE	1	
11	43G-14104-00-00	. AIR SCREW SET (2X3-14123-00)	1	
12	43G-1410A-00-00	. STARTER SET	1	
13	310-14197-00-00	. PIPE, AIRVENT	2	
14	313-14146-00-00	. PLATE	2	
15	363-14131-00-00	. SPRING, THROTTLE VALVE	1	
16	5X8-14112-20-00	. VALVE, THROTTLE 1	1	
17	483-14184-00-00	. GASKET, FLOAT CHMBR	1	
18	193-14142-55-00	. JET, PILOT #55 (# 55)	1	
	193-14142-70-00	. JET, PILOT (# 70)	1	
19	558-14147-00-00	. O-RING	1	
20	500-14115-00-00	. PLUG, SCREW	1	
21	(1G8-14153-00-00)	WASHER, MAIN JET	1	
22	310-14187-00-00	. ARM, FLOAT	1	
23	24X-14107-33-00	. NEEDLE VALVE SET (#3.3)	1	
24	127-14186-00-00	. PIN, FLOAT	1	
25	3R3-14158-00-00	. TOP, MIXING CHAMBER	1	

CONTINUED ON NEXT FRAME ►

CARBURETOR

Ref. No.	Part Number	Description	Qty	Remarks
----------	-------------	-------------	-----	---------

26	24X-14106-00-00	. CBLE AJST SCRW SETSCREW SET	1	
----	-----------------	-------------------------------------	---	--



43G100 - 4040

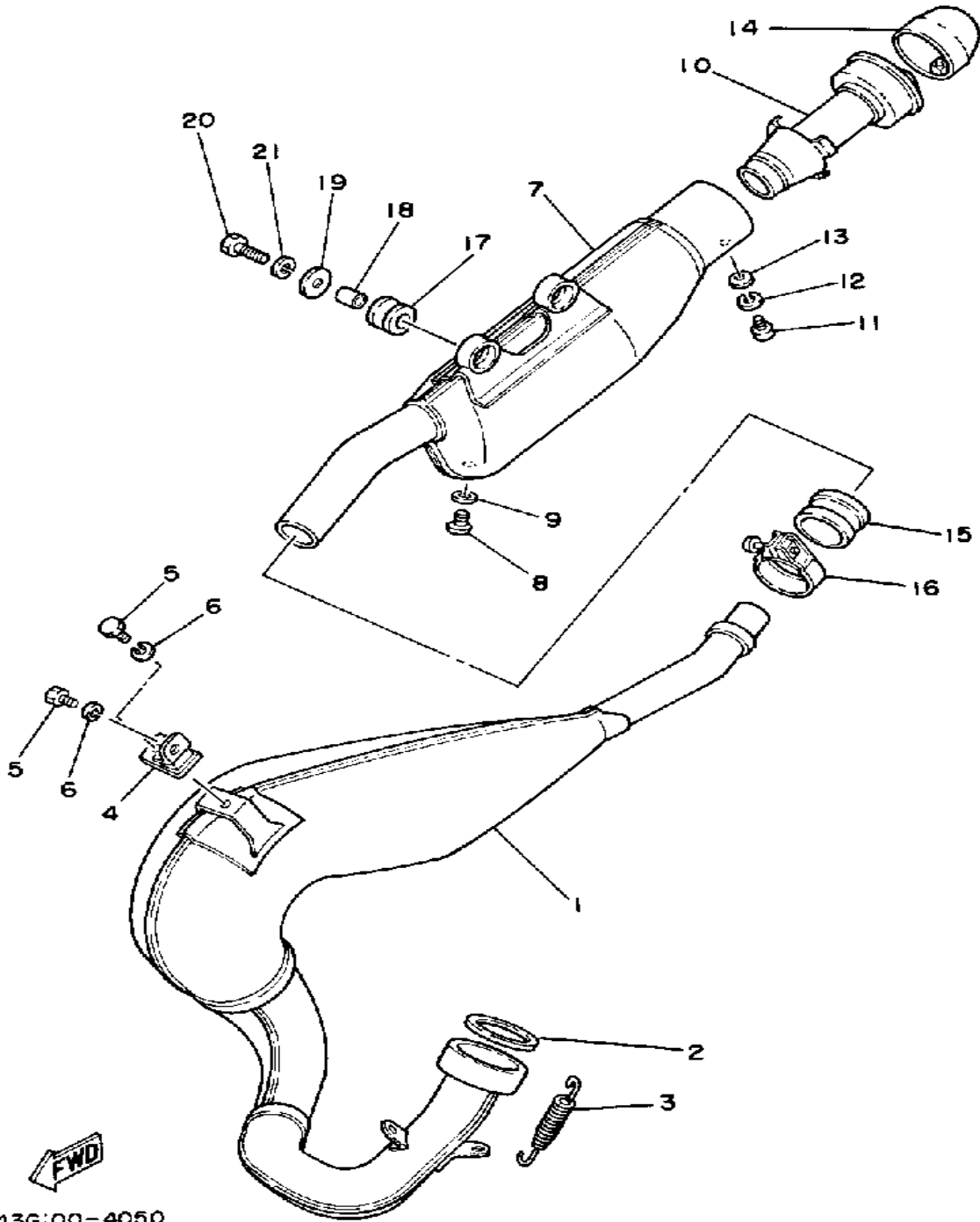
IT200N

CARBURETOR - Manufacturer / Type / I.D. Number	Mikuni / VM34SS / 43G-10
Main Jet / Pilot Jet / Pilot Screw (Turns Out)	330 / 20 / 1/4
Needle Jet / Jet Needle-Clip Position	G-0 / 6F21-3
Slide Cutaway	2.0
Float Level / Fuel Level	23.5 ± 1.0mm / ø
Idle rpm	Rider's Preference
Max CR _e / Max HC _e / Set CO	ø

IT200L

CARBURETOR - Manufacturer / Type / I.D. Number	Mikuni / VM34SS / 43G-00
Main Jet / Pilot Jet / Pilot Screw (Turns Out)	330 / 35 / 1.0
Needle Jet / Jet Needle-Clip Position	P-6 / 6F21-3
Slide Cutaway	2.0
Float Level / Fuel Level	23.5 ± 1.0mm / ø
Idle rpm	Rider's Preference

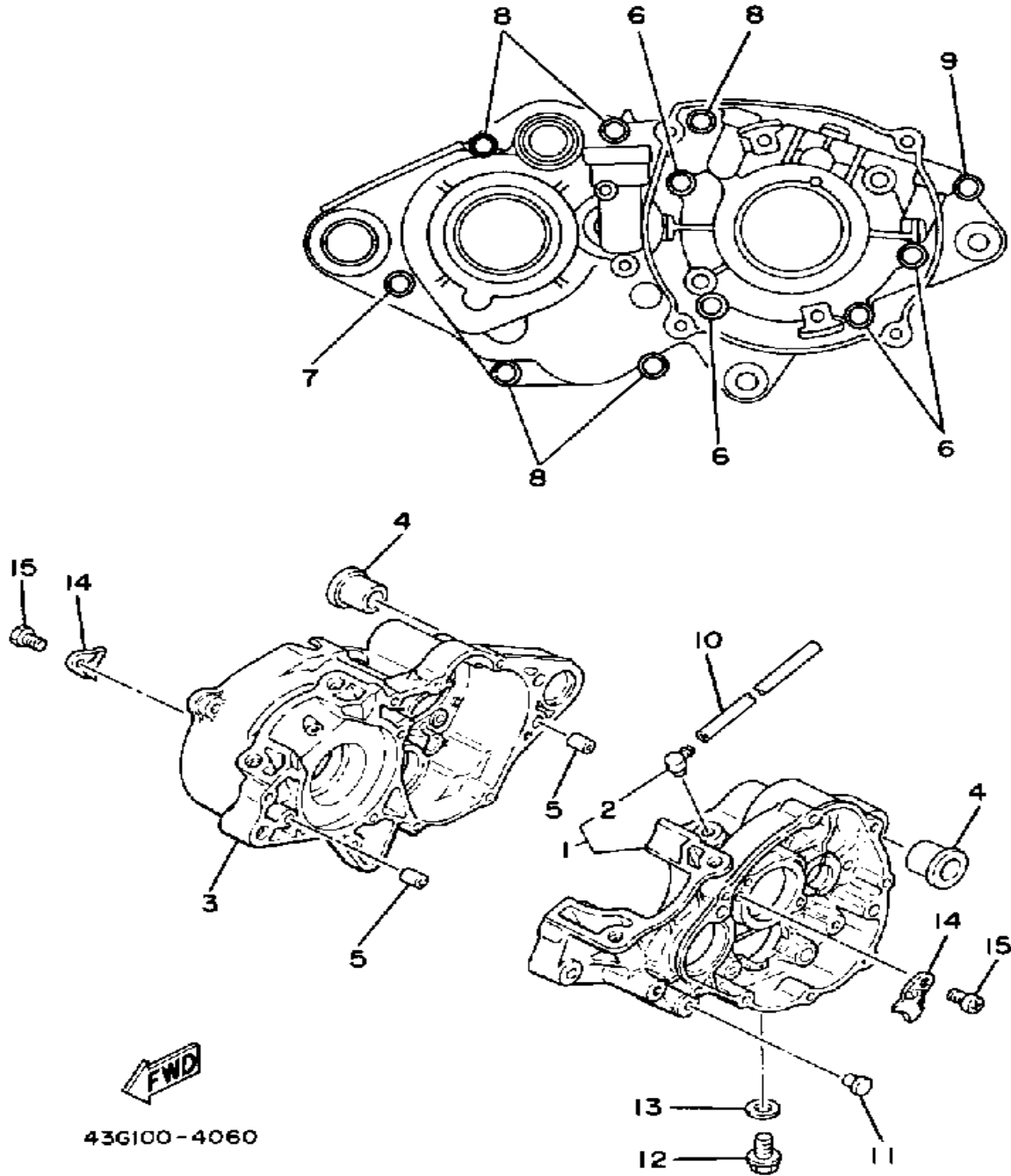
EXHAUST



43G:00-4050

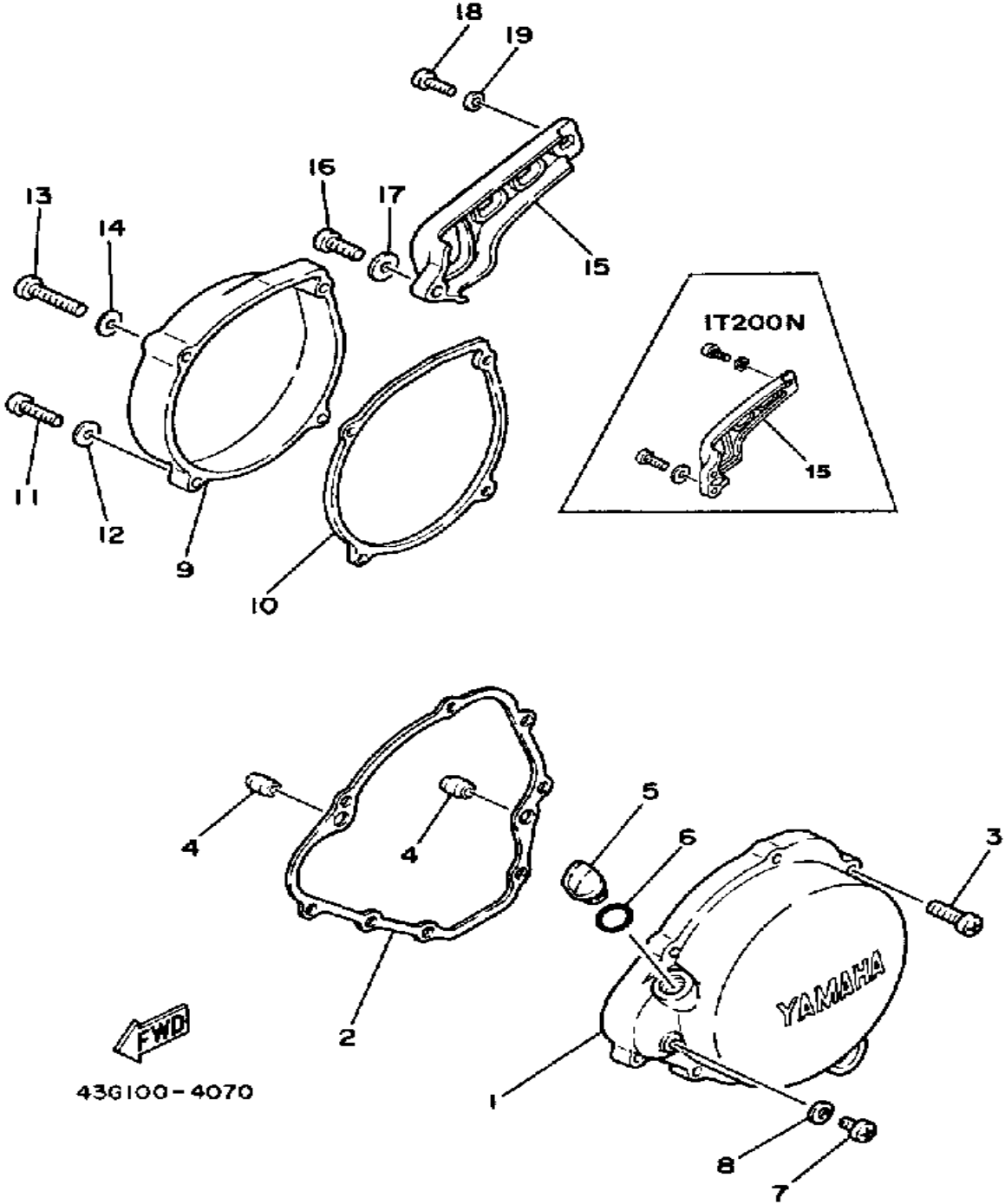
Ref. No.	Part Number	Description	Qty	Remarks
1	(43G-14610-00-00)	EXHAUST PIPE ASSEMBLY L .	1	
2	3R6-14613-01-00	GASKET, EXST PIPE	1	
3	90507-20030-00	SPRING, TENSION	3	
4	1M1-14772-00-00	STAY, MUFFLER 2	1	
5	97013-06012-00	BOLT	2	
6	92995-06100-00	WASHER, SPRING	2	
7	43G-14753-00-00	SILENCER, EXHAUST	1	
8	98580-06008-00	SCREW, PAN HEAD	1	
9	90202-05187-00	WASHER, PLATE	1	
10	5X8-14752-01-00	PIPE, OUTLET	1	
11	98580-06012-00	SCREW, PAN HEAD	1	
12	92995-06100-00	WASHER, SPRING	1	
13	90201-061A5-00	WASHER, PLATE	1	
14	1W2-14787-00-00	CAP, SILENCER	1	
15	1M1-14714-00-00	GASKET, MUFFLER	1	
16	90460-43053-00	CLAMP, HOSE	2	
17	90480-22269-00	GROMMET	2	
18	90387-081A3-00	COLLAR	2	
19	90201-085E6-00	WASHER PLATE	2	
20	97313-08030-00	BOLT, HEXAGON	2	
21	92990-08100-00	WASHER	2	

CRANKCASE



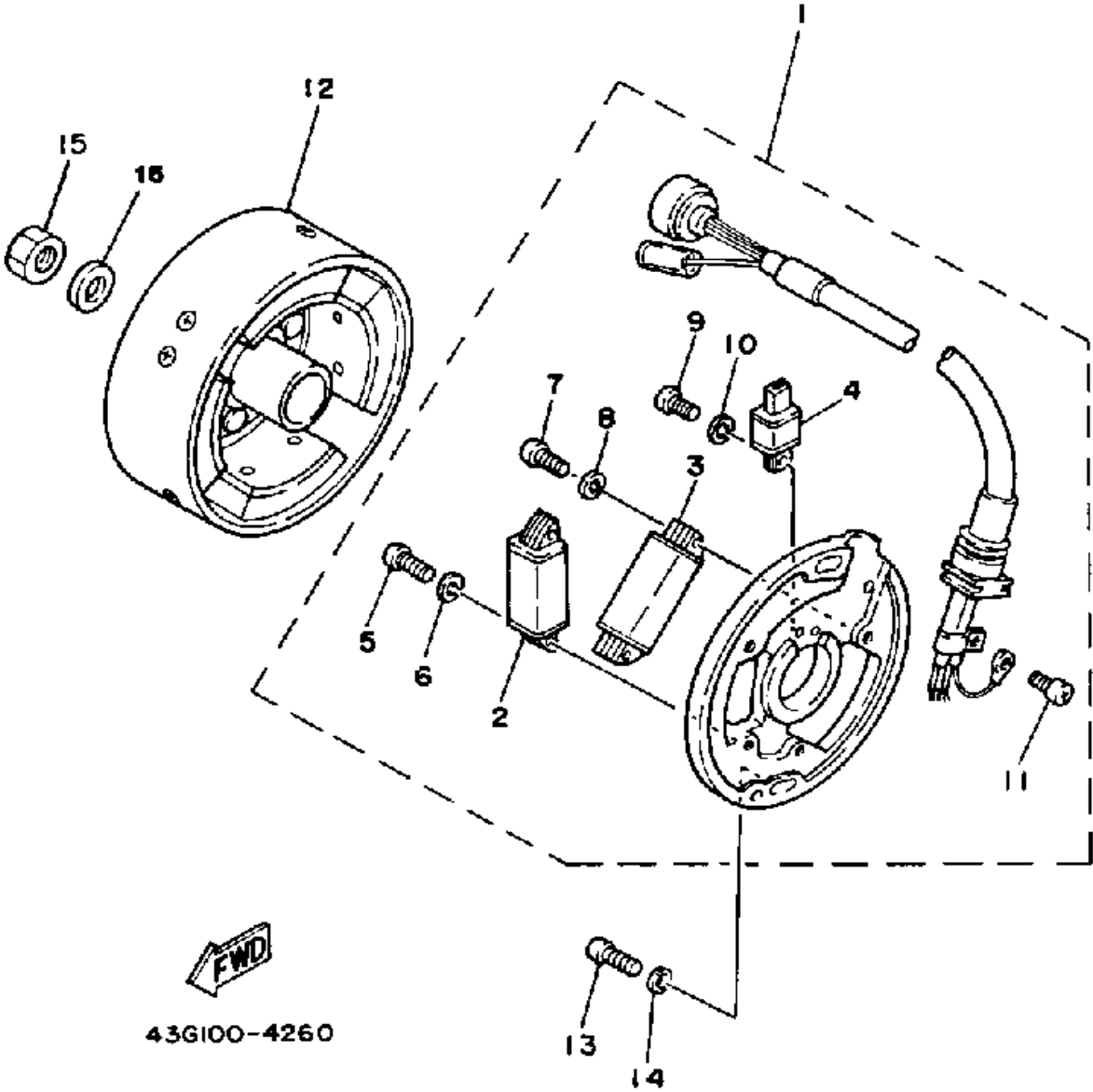
Ref. No.	Part Number	Description	Qty	Remarks
1	43G-15111-00-00	CRANKCASE 1	1	
2	353-13115-01-00	. CONNECTOR, SUCTION PIPE	1	
3	43G-15121-00-00	CRANKCASE 2	1	
4	90387-16781-00	COLLAR	2	
5	99530-10014-00	PIN, DOWEL	2	
6	91316-06035-00	BOLT	4	
7	91316-06050-00	BOLT, SOCKET HEAD	1	
8	90110-06138-00	BOLT, HEX SKT HEAD	5	
9	91316-06045-00	BOLT, SOCKET HEAD	1	
10	90445-08376-00	HOSE	1	
11	90338-07011-00	PLUG, SPEC'L SHAPE	1	
12	90340-12097-00	PLUG, STRAIGHT SCREW	1	
13	90430-12207-00	GASKET	1	
14	3R3-15128-01-00	HOLDER	2	
15	92501-08010-00	SCREW, PAN HEAD	2	

CRANKCASE COVER



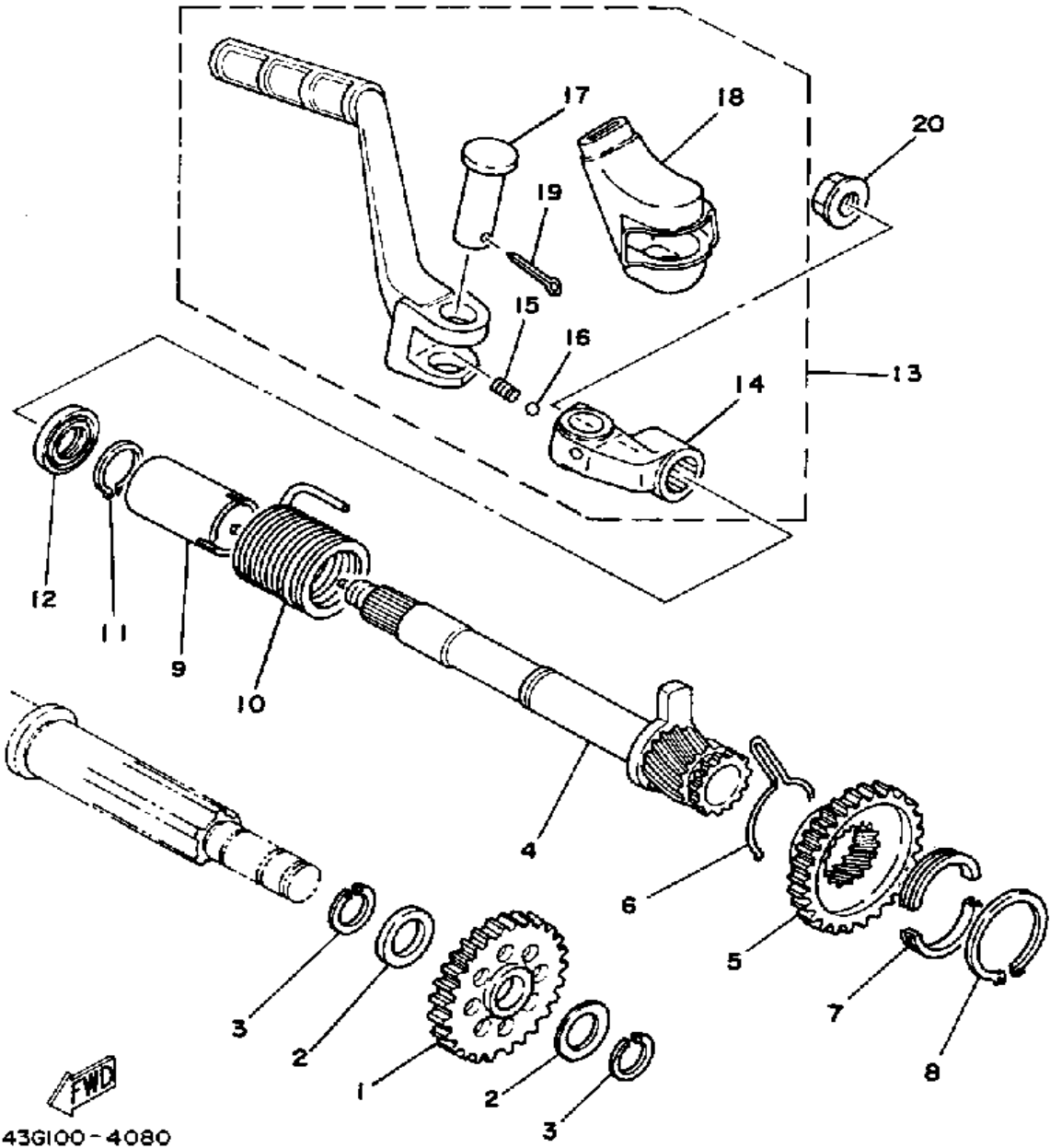
Ref. No.	Part Number	Description	Qty	Remarks
1	3R3-15411-01-00	COVER, CRANKCASE L	1	
2	3R3-15451-01-00	GASKET, CRCS COVER	1	
3	98506-06025-00	SCREW, PAN HEAD	8	
4	99530-10014-00	PIN, DOWEL	2	
5	1G8-15362-00-00	PLUG, OIL LEVEL	1	
6	93210-14104-00	O-RING	1	
7	98506-06008-00	SCREW, PAN HEAD (92506-06008-00)	1	
8	90430-06016-00	GASKET	1	
9	43G-15421-00-00	COVER, CRANKCASE R	1	
10	43G-15455-00-00	GASKET 1	1	
11	98506-06025-00	SCREW, PAN HEAD	3	
12	92906-06600-00	WASHER	3	
13	98506-06035-00	SCREW, PAN HEAD	1	
14	92906-06600-00	WASHER	1	
15	55Y-15431-00-00	COVER, CRANKCASE 3	1	
16	98503-06014-00	SCREW, PAN HEAD (92502-06016)	1	
17	90201-06067-00	WASHER, PLATE	1	
18	98580-06020-00	SCREW	1	
19	92990-06200-00	WASHER	1	

GENERATOR



Ref. No.	Part Number	Description	Qty	Remarks
1	43G-85510-21-00	STATOR ASSEMBLY	1	
2	23X-85520-21-00	. COIL, CHARGE	1	
3	43G-85513-20-00	. COIL, LIGHTING 1	1	
4	43G-85580-21-00	. COIL, PULSER	1	
5	98503-04014-00	. SCREW, PAN HEAD	2	
6	92901-04100-00	. WASHER, SPRING	2	
7	98511-04030-00	. SCREW, PAN HEAD	2	
8	92901-04100-00	. WASHER, SPRING	2	
9	98503-04014-00	. SCREW, PAN HEAD	1	
10	92901-04100-00	. WASHER, SPRING	1	
11	97601-04106-00	. SCREW, PN/HD.W/WSHR	1	
12	43G-85500-20-00	ROTOR ASSEMBLY.	1	
	43G-85550-21-00	ROTOR ASSEMBLY	1	
13	98503-06014-00	SCREW, PAN HEAD (92502-06016)	2	
14	90201-061A5-00	WASHER, PLATE	2	
15	90170-12347-00	NUT, HEXAGON	1	
16	90201-12593-00	WASHER, PLATE	1	

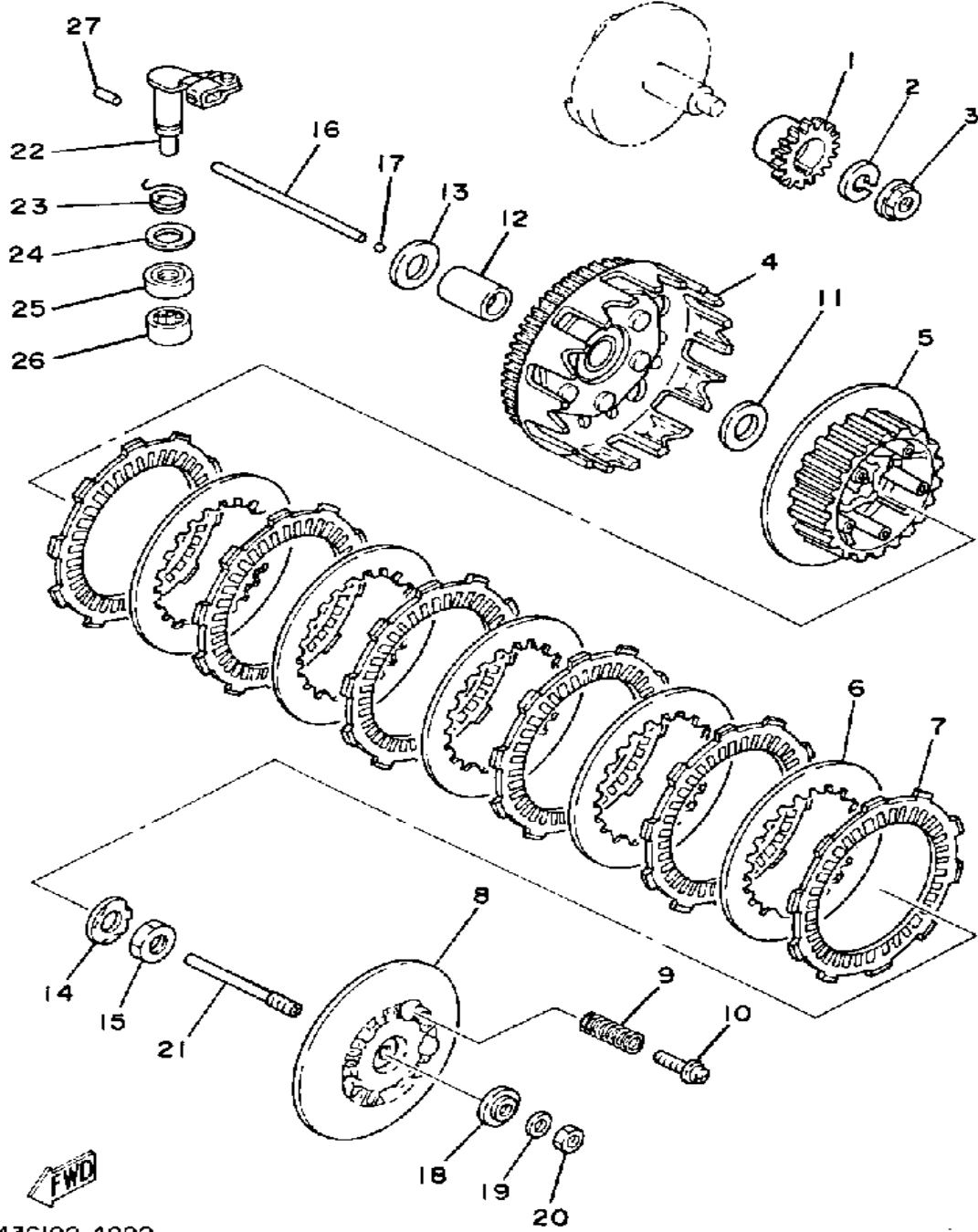
STARTER



Ref. No.	Part Number	Description	Qty	Remarks
1	43G-15651-00-00	GEAR, KICK IDLE	1	
2	137-17417-00-05	SHIM 1 (0.5T)	1	
3	93440-15012-00	CIRCLIP	2	
4	39W-15660-00-00	KICK AXLE ASSEMBLY	1	
5	3R3-15641-00-00	GEAR, KICK	1	
6	90468-26048-00	CLIP	1	
7	248-15654-00-00	HOLDER, KICK GEAR	2	
8	99009-30400-00	CIRCLIP	1	
9	3R3-15666-00-00	SPACER	1	
10	90508-26427-00	SPRING, TORSION	1	
11	93410-17037-00	CIRCLIP	1	
12	93102-17263-00	OIL SEAL	1	
13	43G-15620-00-00	KICK CRANK ASSEMBLY	1	
14	(5X3-15621-00-00)	BOSS, KICK CRANK	1	
15	90501-12081-00	. SPRING, COMPRESSION	1	
16	93507-32031-00	. BALL	1	
17	91702-12040-00	. PIN, CLEVIS	1	
18	3R3-15618-01-00	. COVER, KICK LEVER	1	
19	91401-40020-00	. PIN, COTTER	1	
20	95701-10500-00	NUT, FLANGE (95702-10500)	1	

43G100-4080

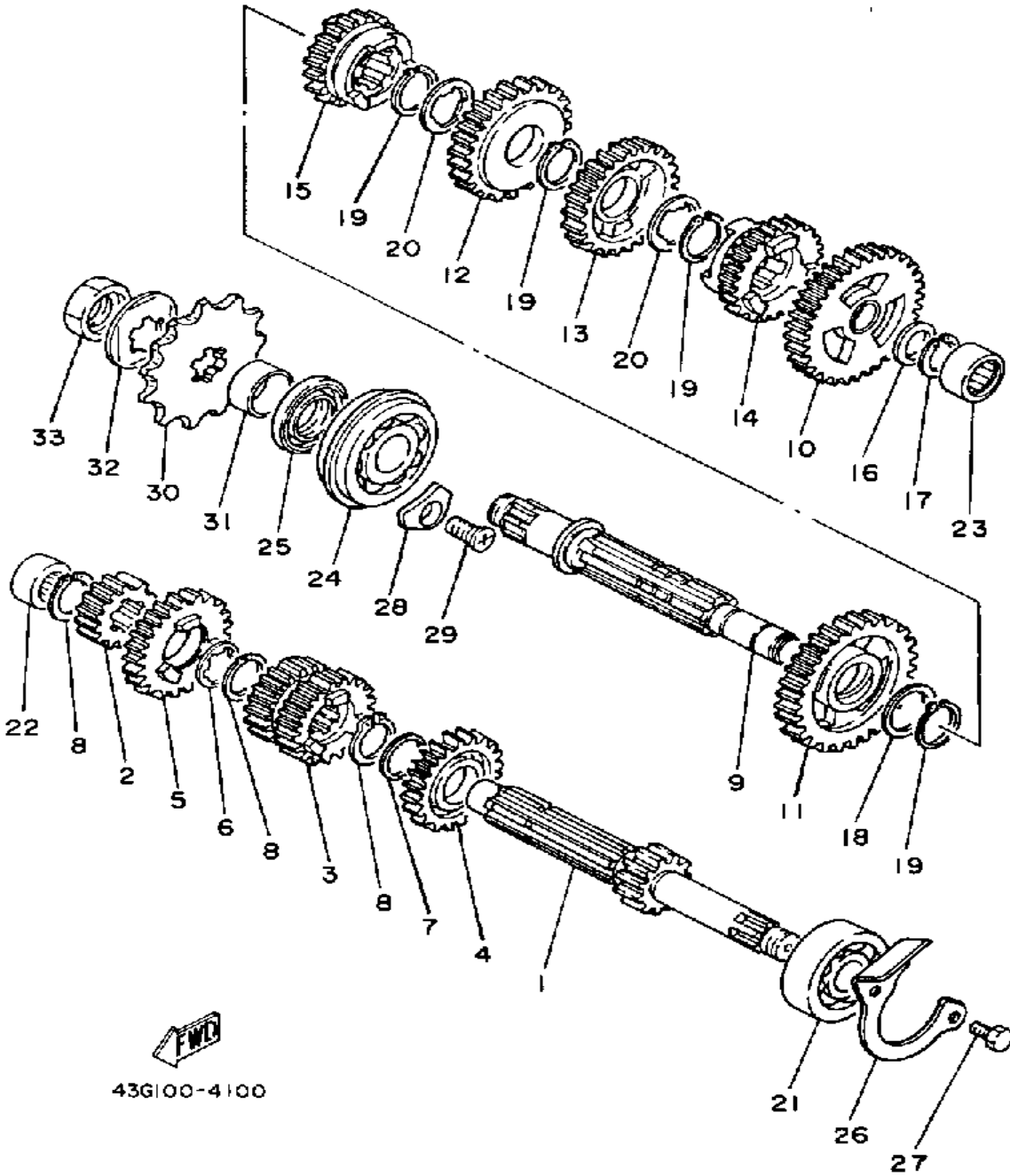
CLUTCH



43G100-4090

Ref. No.	Part Number	Description	Qty	Remarks
1	43G-16111-00-00	GEAR, PRI DRIVE (20T)	1	
2	90204-12007-00	WASHER, SPRING	1	
3	90179-12335-00	NUT	1	
4	43G-16150-00-00	PRI DRVN GEAR	1	
5	43G-16371-00-00	BOSS, CLUTCH	1	
6	137-16325-70-00	PLATE, CLUTCH 2	5	
7	537-16321-00-00	PLATE, FRICTION	6	
8	1W1-16351-00-00	PLATE, PRESSURE 1	1	
9	90501-20124-00	SPRING, COMPRESSION (137-16333-00)	5	
10	90159-05011-00	SCREW, WITH WASHER	5	
11	90201-174E1-00	WASHER, PLATE	1	
12	90560-17335-00	SPACER	1	
13	90201-174E1-00	WASHER, PLATE	1	
14	90215-14204-00	WASHER, LOCK	1	
15	90170-14171-00	NUT	1	
16	353-16357-00-00	ROD, PUSH 2	1	
17	93503-16010-00	BALL	1	
18	30X-16358-00-00	PLATE, PUSH	1	
19	92990-06200-00	WASHER	1	
20	95380-06600-00	NUT	1	
21	1W1-16356-02-00	ROD, PUSH 1	1	
22	3R3-16380-02-00	PUSH LEVER ASSEMBLY	1	
23	90508-14426-00	SPRING, TORSION	1	
24	90201-14217-00	WASHER, PLATE	1	
25	93102-14308-00	OIL SEAL, SD-TYPE	1	
26	93315-21429-00	BEARING	1	
27	93604-16092-00	PIN, DOWEL	1	

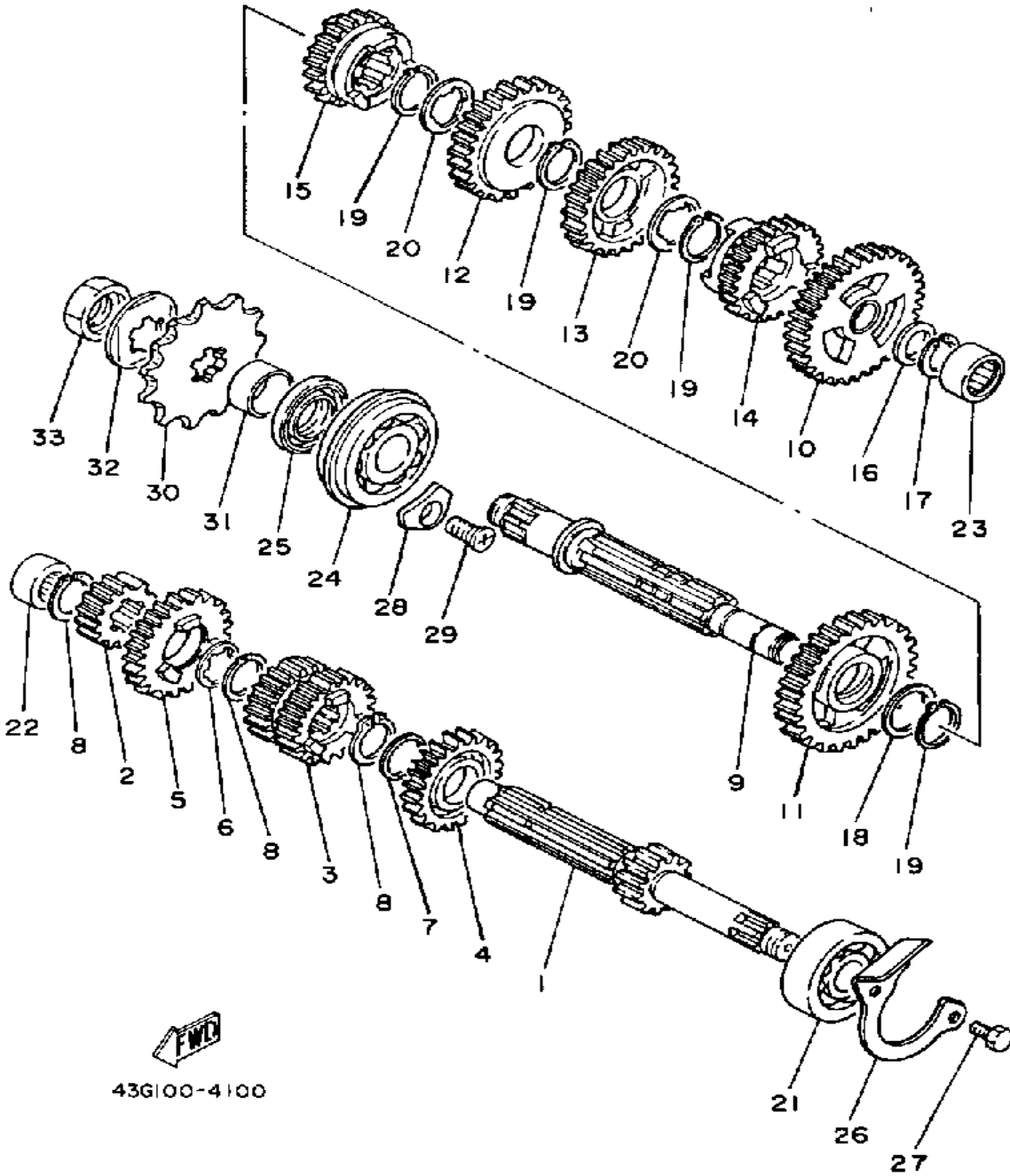
TRANSMISSION



Ref. No.	Part Number	Description	Qty	Remarks
1	43G-17411-00-00	AXLE, MAIN	1	
2	43G-17121-00-00	GEAR, 2ND PINION (14T)	1	
3	43G-17131-00-00	GEAR, 3RD PINION (16T/20T)	1	
4	43G-17151-01-00	GEAR, 5TH PINION (25T)	1	
5	43G-17161-01-00	GEAR, 6TH PINION (24T)	1	
6	90209-16255-00	WASHER, SPEC'L SHAP	1	
7	90201-20266-00	WASHER, PLATE (1.0T)	1	
8	93410-20038-00	CIRCLIP	3	
9	43G-17421-00-00	AXLE, DRIVE	1	
10	43G-17211-00-00	GEAR, 1ST WHEEL (33T)	1	
11	43G-17221-00-00	GEAR, 2ND WHEEL (26T)	1	
12	43G-17231-01-00	GEAR, 3RD WHEEL (24T)	1	
13	43G-17241-01-00	GEAR, 4TH WHEEL (25T)	1	
14	43G-17251-00-00	GEAR, 5TH WHEEL (27T)	1	
15	43G-17261-00-00	GEAR, 6TH WHEEL (21T)	1	
16	90201-15701-00	WASHER, PLATE (1.0T)	1	
17	93440-15012-00	CIRCLIP	1	
18	90201-22555-00	WASHER, PLATE	1	
19	93410-22039-00	CIRCLIP	4	
20	90209-18135-00	WASHER	2	
21	93306-30309-00	BEARING	1	
22	93311-41530-00	BEARING	1	
23	93311-31567-00	BEARING, CYLINDRICAL	1	
24	93306-30411-00	BEARING (B6304)	1	
25	93102-26042-00	OIL SEAL	1	
26	3R3-17471-00-00	PLATE, COVER	1	
27	97013-06012-00	BOLT	2	
28	2K7-15383-00-00	PLATE, BEARING COVER	1	
29	98603-06012-00	SCREW, OVAL HEAD (92701-06012)	1	

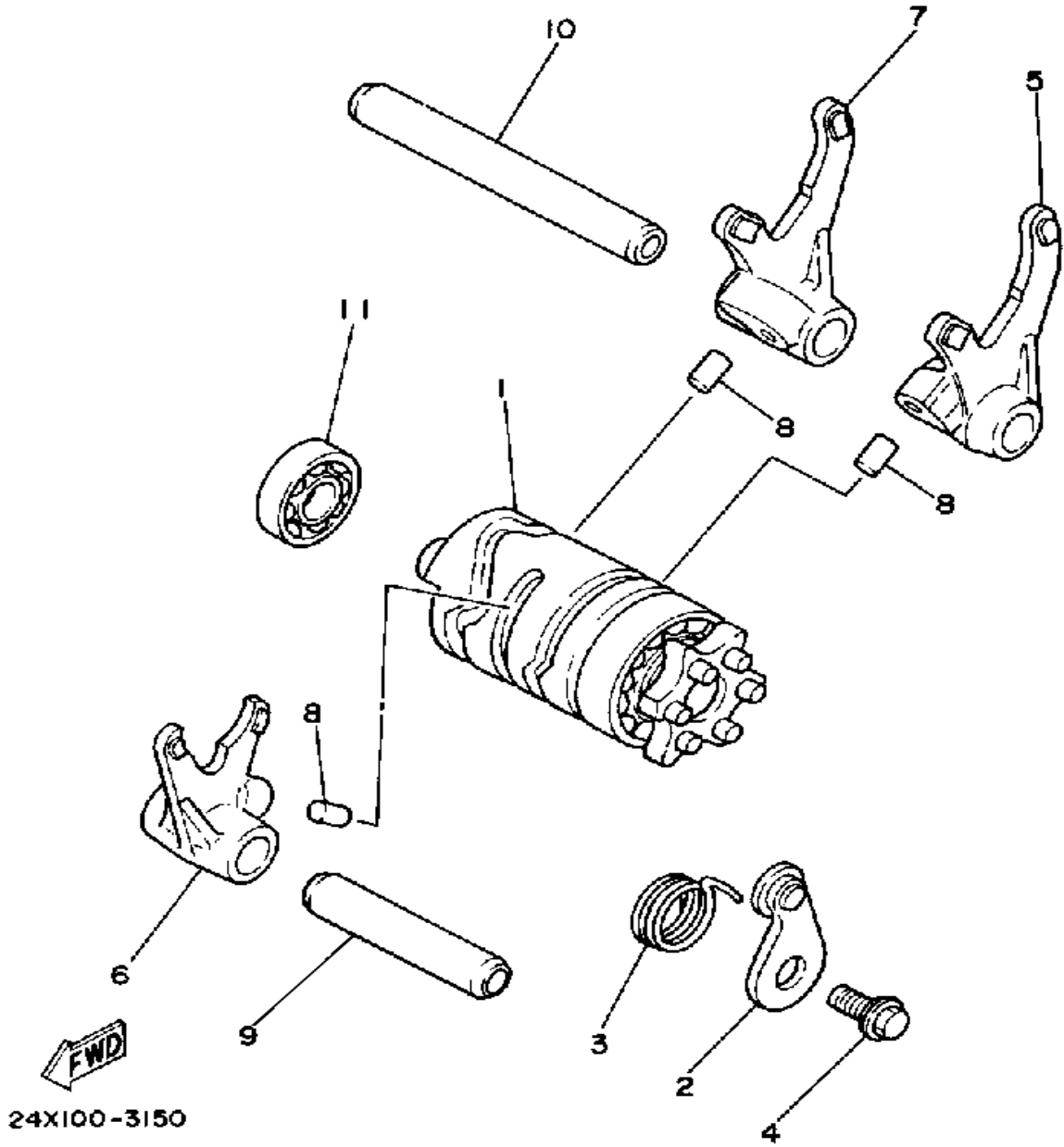
CONTINUED ON NEXT FRAME ➤

TRANSMISSION



Ref. No.	Part Number	Description	Qty	Remarks
30	93832-11007-00	SPROCKET, DRIVE 11T	1	ALT. PART
	93832-12014-00	SPROCKET, DRIVE	1	U.R.
	93832-13027-00	SPROCKET, DRIVE	1	ALT. PART
31	90387-202A0-00	COLLAR	1	
32	90215-16127-00	WASHER, LOCK	1	
33	90179-16226-00	NUT	1	

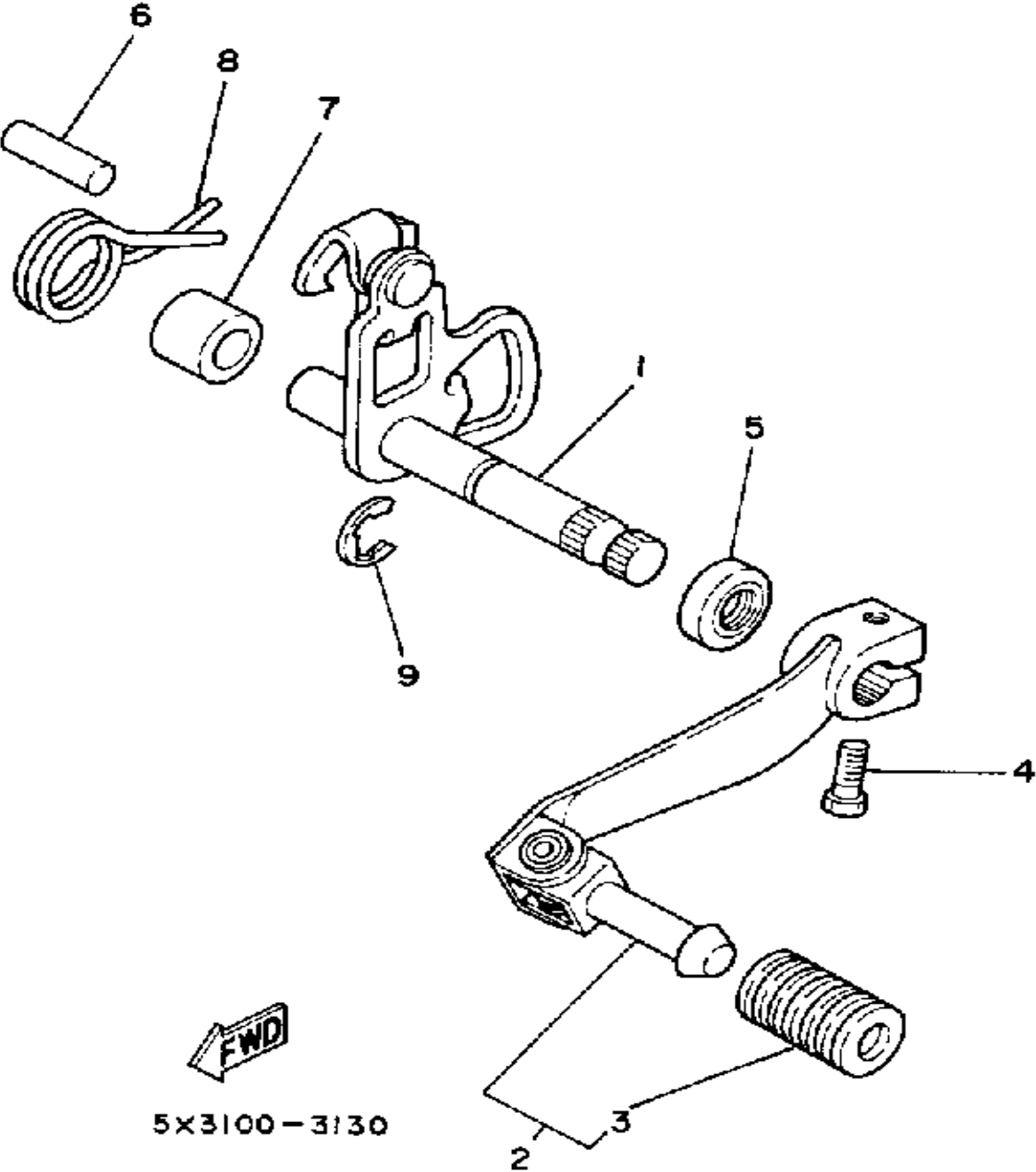
SHIFT CAM-FORK



Ref. No.	Part Number	Description	Qty	Remarks
1	24X-18540-00-00	SHIFT CAM ASSEMBLY	1	
2	3R3-18140-00-00	STOPPER LEVER ASSEMBLY	1	
3	90508-26435-00	SPRING, TORSION	1	
4	50W-21631-00-00	BOLT 1	1	
5	43G-18511-00-00	FORK, SHIFT 1	1	
6	43G-18512-00-00	FORK, SHIFT 2	1	
7	43G-18513-00-00	FORK, SHIFT 3	1	
8	90250-06013-00	PIN, STRAIGHT	3	
9	5X5-18531-01-00	BAR, SHIFT FORK GUIDE 1	1	
10	5X5-18535-01-00	BAR, SHIF FRK GDE 2	1	
11	93306-00106-00	BEARING	1	

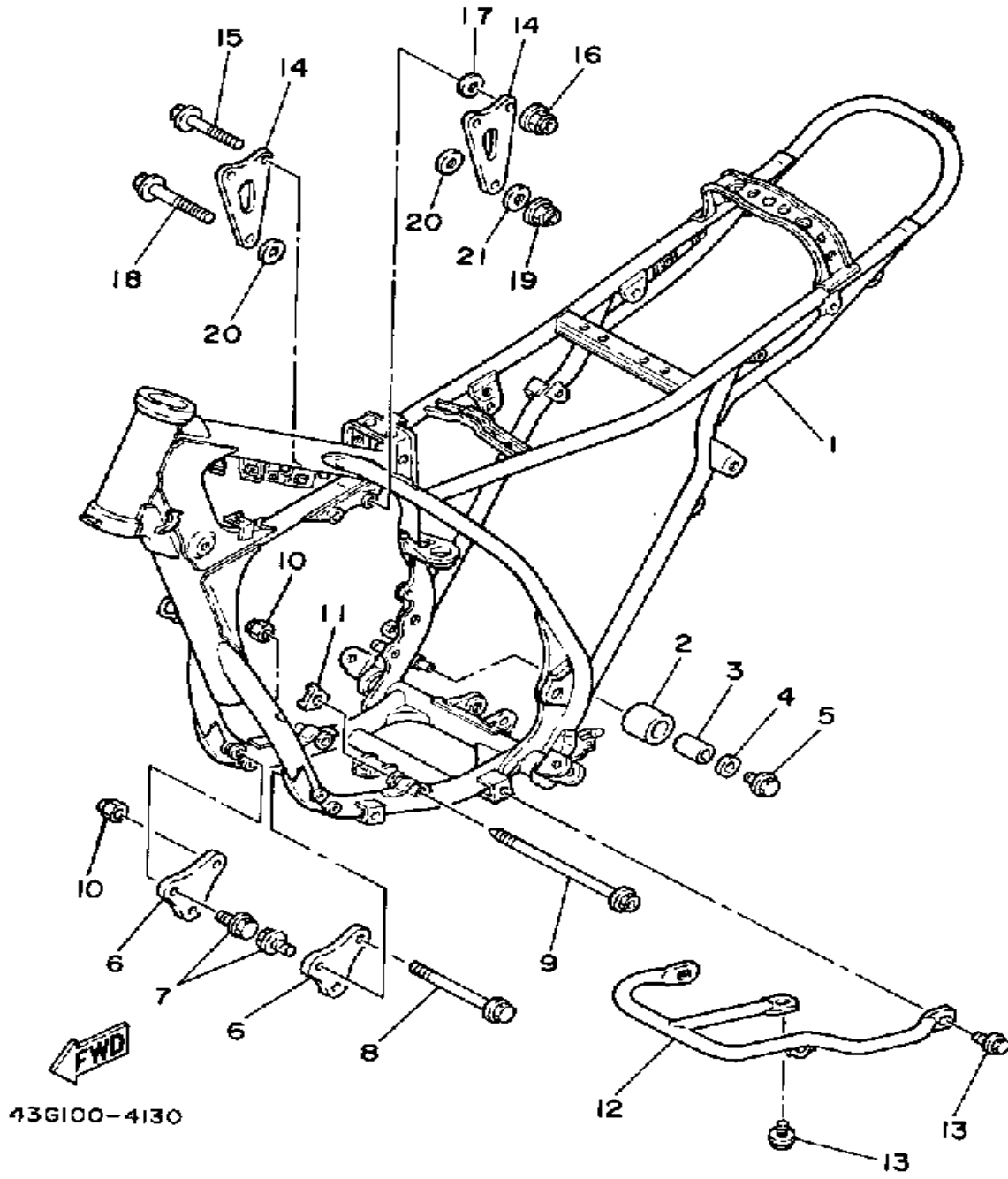
24X100-3150

SHIFT SHAFT



Ref. No.	Part Number	Description	Qty	Remarks
1	24X-18101-01-00	SHIFT SHAFT ASSEMBLY. 1	1	
2	5X4-18110-01-00	SHIFT PEDAL ASSEMBLY (509-18111-01)	1	
3	1W6-18113-00-00	. COVER, SHIFT PEDAL	1	
4	97011-06020-00	BOLT	1	
5	93101-12060-00	OIL SEAL	1	
6	93608-25150-00	PIN, DOWEL	1	
7	90560-11189-00	SPACER	1	
8	90508-29361-00	SPRING, TORSION	1	
9	99006-10600-00	CIRCLIP	1	

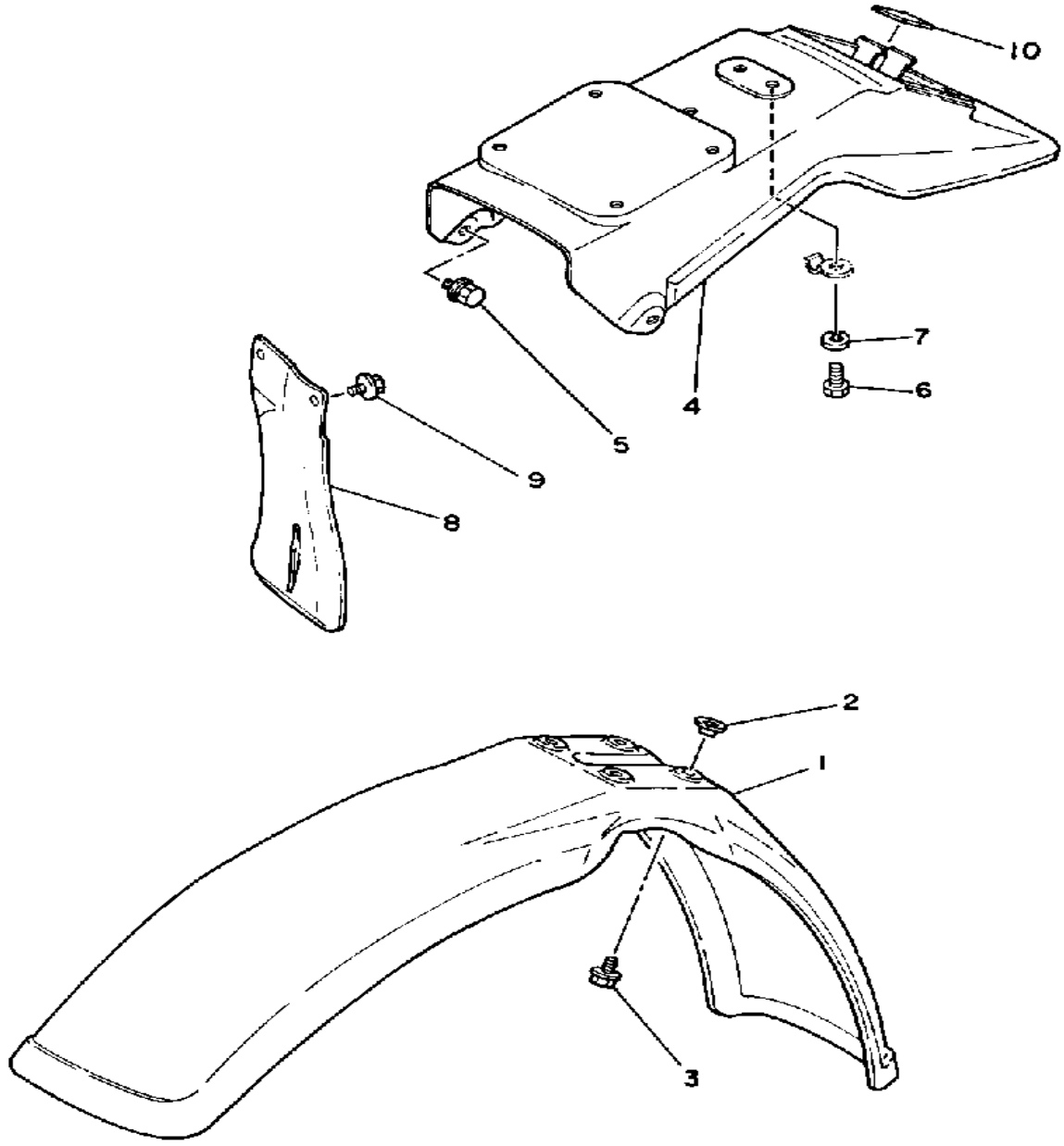
FRAME



43G100-4130

Ref. No.	Part Number	Description	Qty	Remarks
1	(43G-21110-00-33)	FRAME	1	YAMAHA BLK
2	30X-22178-00-00	TENSIONER	1	
3	4V4-22184-00-00	BUSH	1	
4	90201-08753-00	WASHER, PLATE	1	
5	95811-08012-00	BOLT, FLANGE	1	
6	24X-21419-01-00	BRACKET, ENGINE 2	2	
7	95811-08016-00	BOLT, FLANGE	4	
8	95811-08095-00	BOLT, FLANGE	1	
9	90105-08326-00	BOLT, WASHER BASED	1	
10	95601-08200-00	NUT, U	2	
11	90214-09019-00	WASHER, CLAW	1	
12	(43G-2147A-00-00)	GUARD, ENGINE 1	1	
13	95811-08012-00	BOLT, FLANGE	4	
14	43G-21425-00-00	BRACKET, REAR UPR 1UPPER 1	2	
15	95811-08045-00	BOLT, FLANGE (JN5)	2	
16	95601-08200-00	NUT, U	2	
17	90202-08022-00	WASHER, PLATE	2	
18	95811-10050-00	BOLT, FLANGE (95812-10050-00)	1	
19	95601-10200-00	NUT, SELF-LOCKING	1	
20	90201-100A1-00	WASHER, PLATE	2	
21	92990-10200-00	WASHER, PLAIN	1	

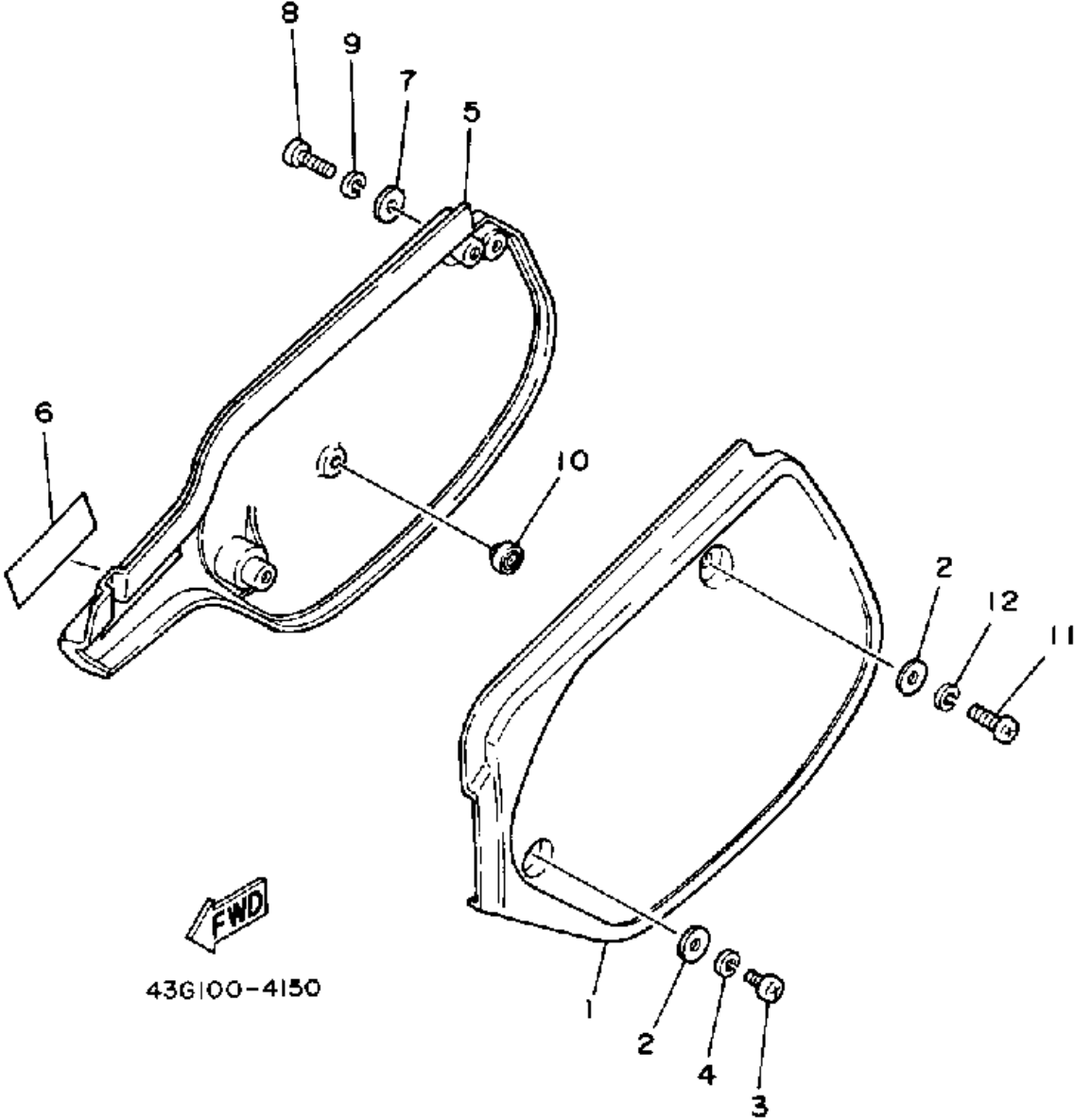
FENDER



Ref. No.	Part Number	Description	Qty	Remarks
1	3R9-21511-11-00	FENDER, FRONT	1	SKY BLUE
2	90387-06681-00	COLLAR	4	
3	90119-06063-00	BOLT, WITH WASHER	4	
4	43G-21610-00-00	FENDER, REAR	1	
5	90119-06056-00	BOLT, WITH WASHER	3	
6	97313-06016-00	BOLT, HEXAGON	1	
7	92995-06100-00	WASHER, SPRING	1	
8	43G-21642-00-00	GUARD, FLAP	1	
9	90119-06042-00	BOLT, WITH WASHER	2	
10	2H7-21628-00-00	DAMPER 1 (4U5-2317J-00) ...	1	

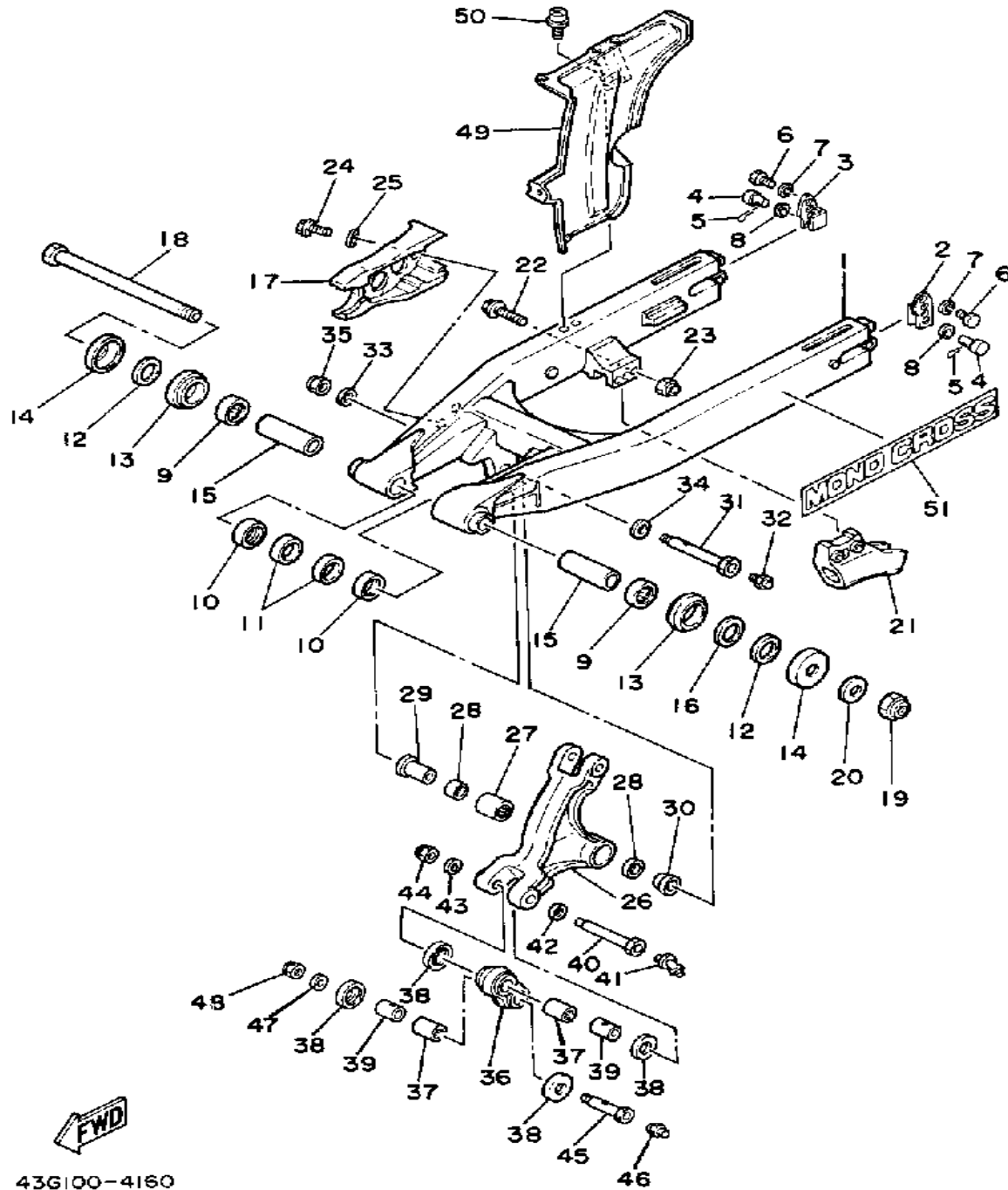
FWD
43G100-4141

SIDE COVER



Ref. No.	Part Number	Description	Qty	Remarks
1	43G-21711-00-26	COVER, SIDE 1	1	COMP. YELLOW
2	90201-06571-00	WASHER, PLATE	2	
3	98580-06020-00	SCREW	1	
4	92995-06100-00	WASHER, SPRING	1	
5	43G-21721-00-26	COVER, SIDE 2	1	COMP. YELLOW
6	43G-21781-00-00	EMBLEM 1	1	
7	90201-06571-00	WASHER, PLATE	2	
8	98511-06025-00	SCREW PAN HEAD (92501-06025)	2	
9	92995-06100-00	WASHER, SPRING	2	
10	22W-24181-00-00	DAMPER, LOCATING 1	3	
11	98511-06025-00	SCREW PAN HEAD (92501-06025)	1	
12	92995-06100-00	WASHER, SPRING	1	

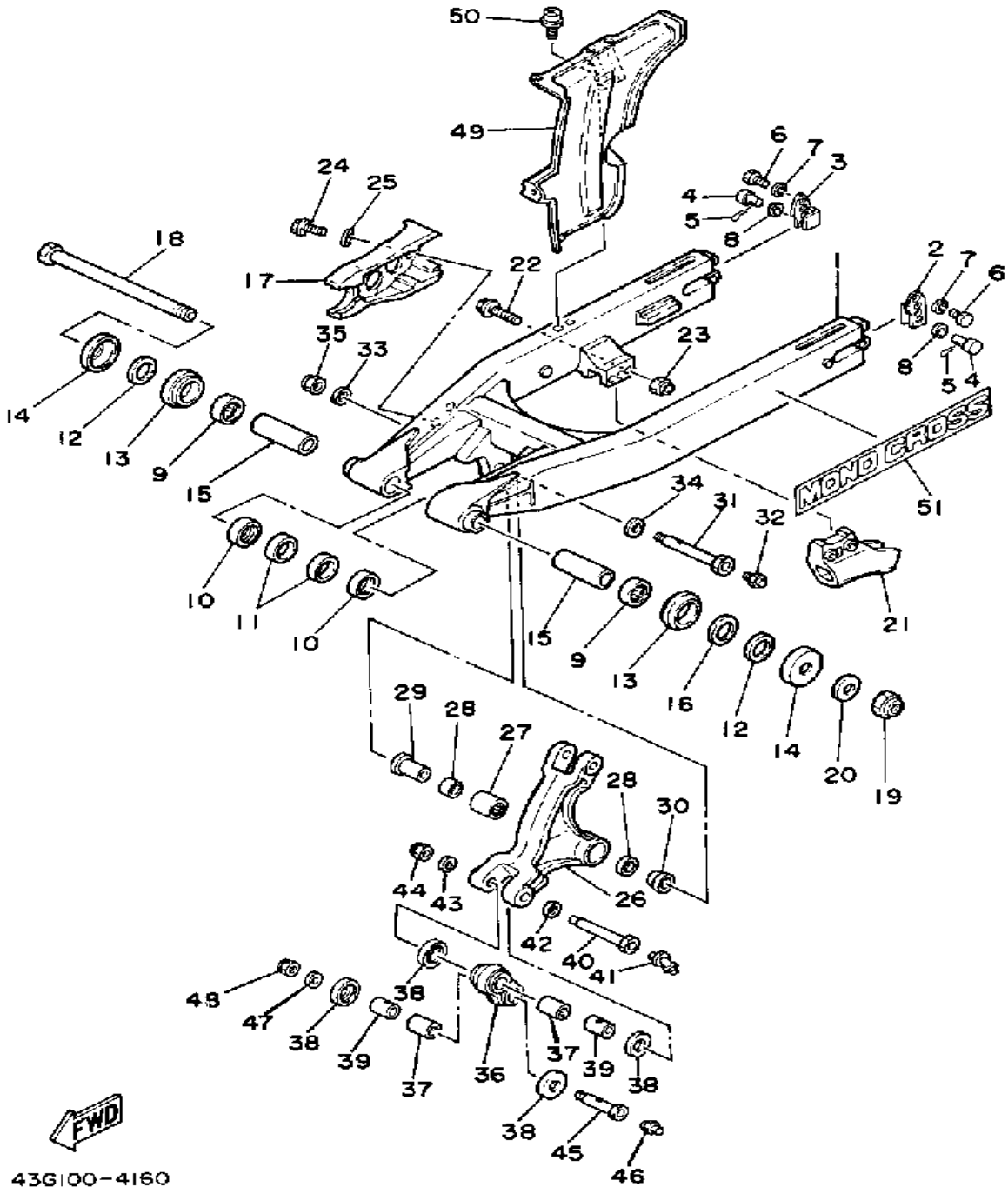
REAR ARM



Ref. No.	Part Number	Description	Qty	Remarks
1	(43G-22110-00-00)	REAR ARM	1	
2	43G-2539F-00-00	PLATE 1	1	
3	43G-2539G-00-00	PLATE 2	1	
4	91701-05020-00	PIN, CLEVIS	2	
5	91490-16020-00	PIN, COTTER	2	
6	97313-06016-00	BOLT, HEXAGON	2	
7	92995-06100-00	WASHER, SPRING	2	
8	92901-05600-00	WASHER, PLATE	2	
9	93317-32231-00	BEARING	2	
10	90380-22111-00	BUSH, SOLID	2	
11	93106-22019-00	OIL SEAL (DC 22-28-8)	2	
12	90201-22680-00	WASHER, PLATE	2	
13	93108-35004-00	OIL SEAL (35-41-8)	2	
14	2K6-22128-01-00	COVER, THRUST 1	2	
15	90380-16077-00	BUSH, SOLID	2	
16	240-22127-00-00	SHIM	1	U.N.
17	39W-22151-00-00	SEAL, GUARD	1	
18	5X4-22141-01-00	SHAFT, PIVOT	1	
19	90185-16127-00	NUT, SELF-LOCKING	1	
20	90201-160F6-00	WASHER, PLATE	1	
21	39W-22199-01-00	SUPPORT, CHAIN	1	
22	95811-08045-00	BOLT, FLANGE (JN5)	2	
23	95601-08200-00	NUT, U	2	
24	95811-06020-00	BOLT, FLANGE	2	
25	90201-06067-00	WASHER, PLATE	2	
26	(43G-2217A-00-00)	ARM, RELAY	1	
27	93317-32034-00	BEARING, CYLINDER.# 7	1	
28	93109-20029-00	OIL SEAL, SDO-TYPE	2	
29	90387-147G6-00	COLLAR	1	

CONTINUED ON NEXT FRAME ►

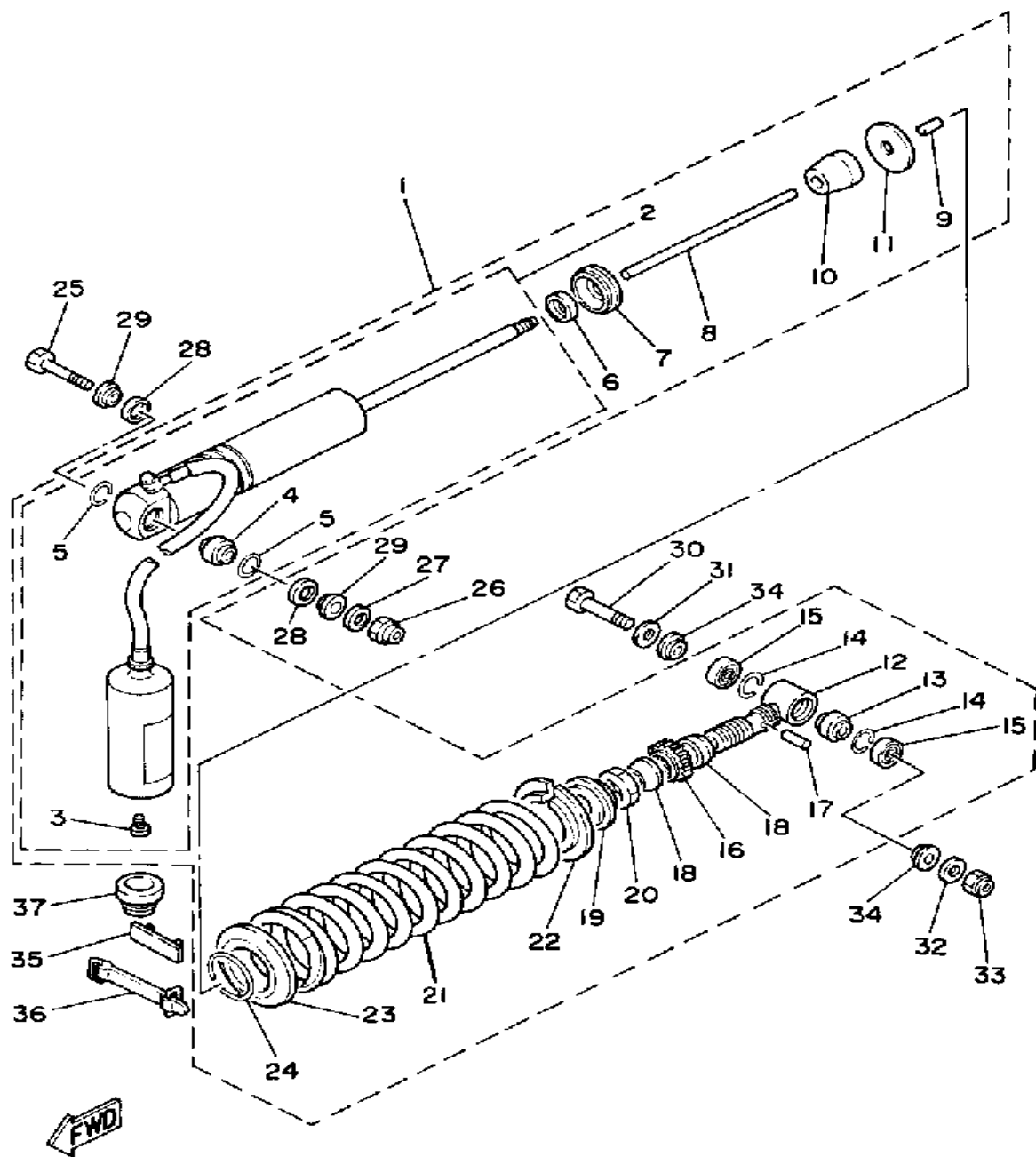
REAR ARM



43G100-4160

Ref. No.	Part Number	Description	Qty	Remarks
30	90387-147G7-00	COLLAR	1	
31	90109-12701-00	BOLT	1	
32	93700-06M03-00	NIPPLE, GREASE	1	
33	90201-120A5-00	WASHER, PLATE	1	
34	90201-142M6-00	WASHER, PLATE	1	
35	90185-12119-00	NUT, SELF-LOCKING	1	
36	23X-2217F-00-00	ROD, CONNECTING 1	1	
37	93315-31732-00	BEARING, CYLINDRICAL	2	
38	55K-22129-00-00	COVER, THRUST 2	4	
39	90387-121H1-00	COLLAR	2	
40	90109-10702-00	BOLT	1	
41	93700-06005-00	NIPPLE, GREASE	1	
42	90201-120E6-00	WASHER, PLATE	1	
43	90201-100E9-00	WASHER, PLATE	1	
44	90185-10120-00	NUT, SELF-LOCKING	1	
45	90109-10703-00	BOLT	1	
46	93700-06005-00	NIPPLE, GREASE	1	
47	90201-100F7-00	WASHER, PLATE	1	
48	95611-10100-00	NUT, U	1	
49	5X8-W2231-01-00	CASE, CHAIN	1	
50	90159-06016-00	SCREW, WITH WASHER	2	
51	5X8-2218A-00-00	EMBLEM, REAR ARM	2	

REAR SUSPENSION

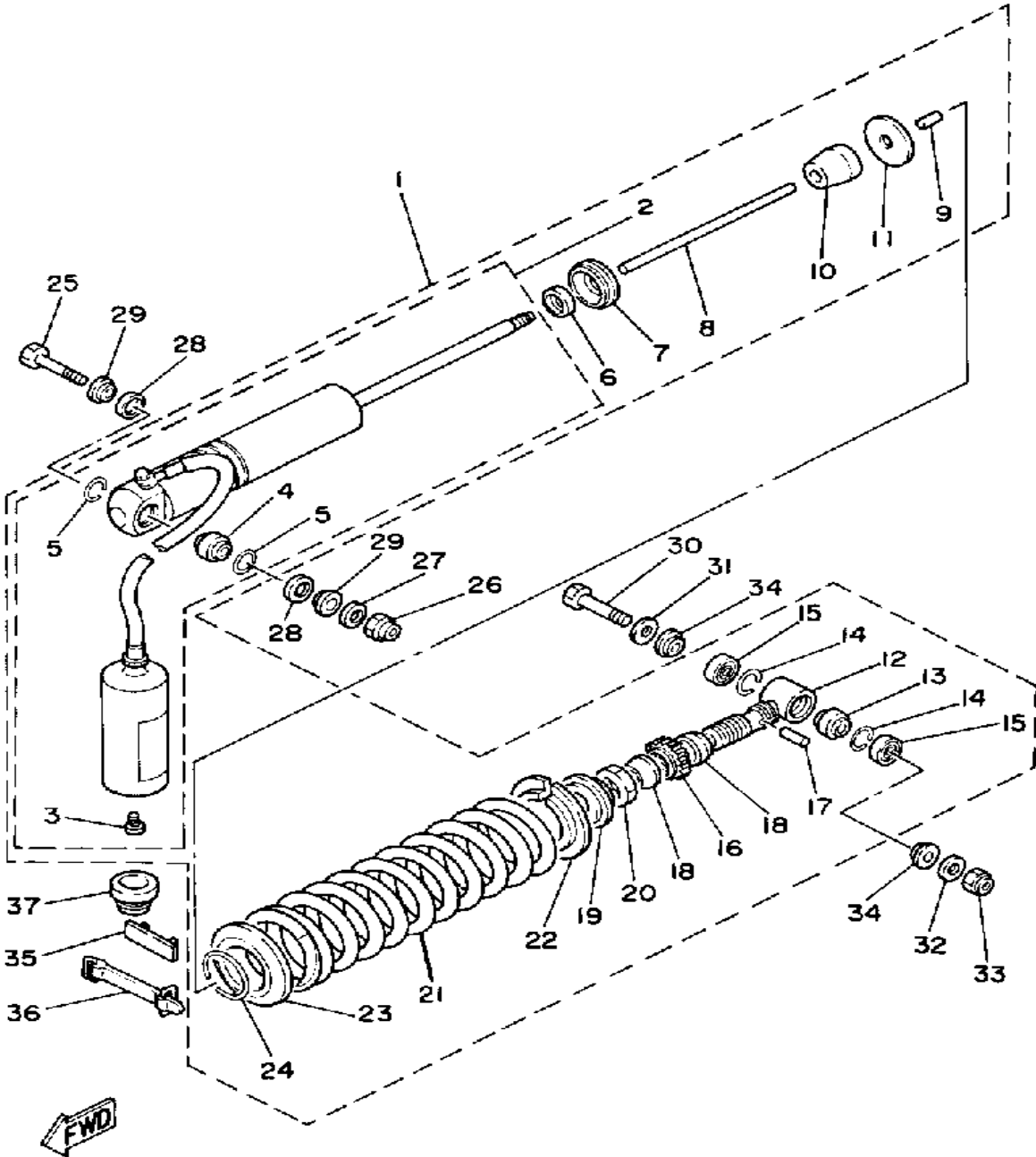


43G100-4170

Ref. No.	Part Number	Description	Qty	Remarks
1	1TY-22210-00-26	SHK/ABS ASSEMBLY, REARASSEMBLY, REAR	1	COMP. YELLOW
2	43G-22401-00-00	. DAMPER SUB-ASSEMBLY.	1	
3	98511-04006-00	.. SCREW, PAN HEAD (98501-04005)	1	
4	93399-99934-00	.. BEARING	1	
5	93440-30113-00	.. CIRCLIP	2	
6	29L-22475-00-00	. SEAL, DUST	1	
7	39K-22472-00-00	. CAP, CASE	1	
8	39W-22489-00-00	. ROD, PUSH	1	
9	93604-21193-00	. PIN, DOWEL	1	
10	39X-22493-00-00	. BUMP, STOP	1	
11	5X2-22228-00-00	. SUPPORT, BUMP STOP	1	
12	(39W-22409-00-00)	UPPER BRKT SUB ASSEMBLY	1	
13	93399-99934-00	. BEARING	1	
14	93440-30113-00	. CIRCLIP	2	
15	93104-18077-00	. OIL SEAL	2	
16	5X3-22497-00-00	. NUT, ADJUSTING	1	
17	93604-26132-00	. PIN, DOWEL	1	
18	3R4-22221-01-00	. COVER	2	
19	3R4-22213-00-00	. SEAT, SPRING UPPER	1	
20	90170-20320-00	. NUT	1	
21	(43G-22212-10-26)	SPRING, MXS SOFT	1	COMP. YELLOW
	43G-22212-00-26	. SPRING, MXS STD (K=5.5)	1	COMP. YELLOW
	43G-22212-20-26	SPRING, MXS HARD (K=6.0)	1	COMP. YELLOW
22	22W-22214-01-00	. GUIDE, SPRING 1	2	
23	38V-22223-00-00	. SEAT, SPRING LOWER	1	
24	(93440-45135-00)	CIRCLIP, OUTER	1	
25	90109-10704-00	BOLT	1	

CONTINUED ON NEXT FRAME ►

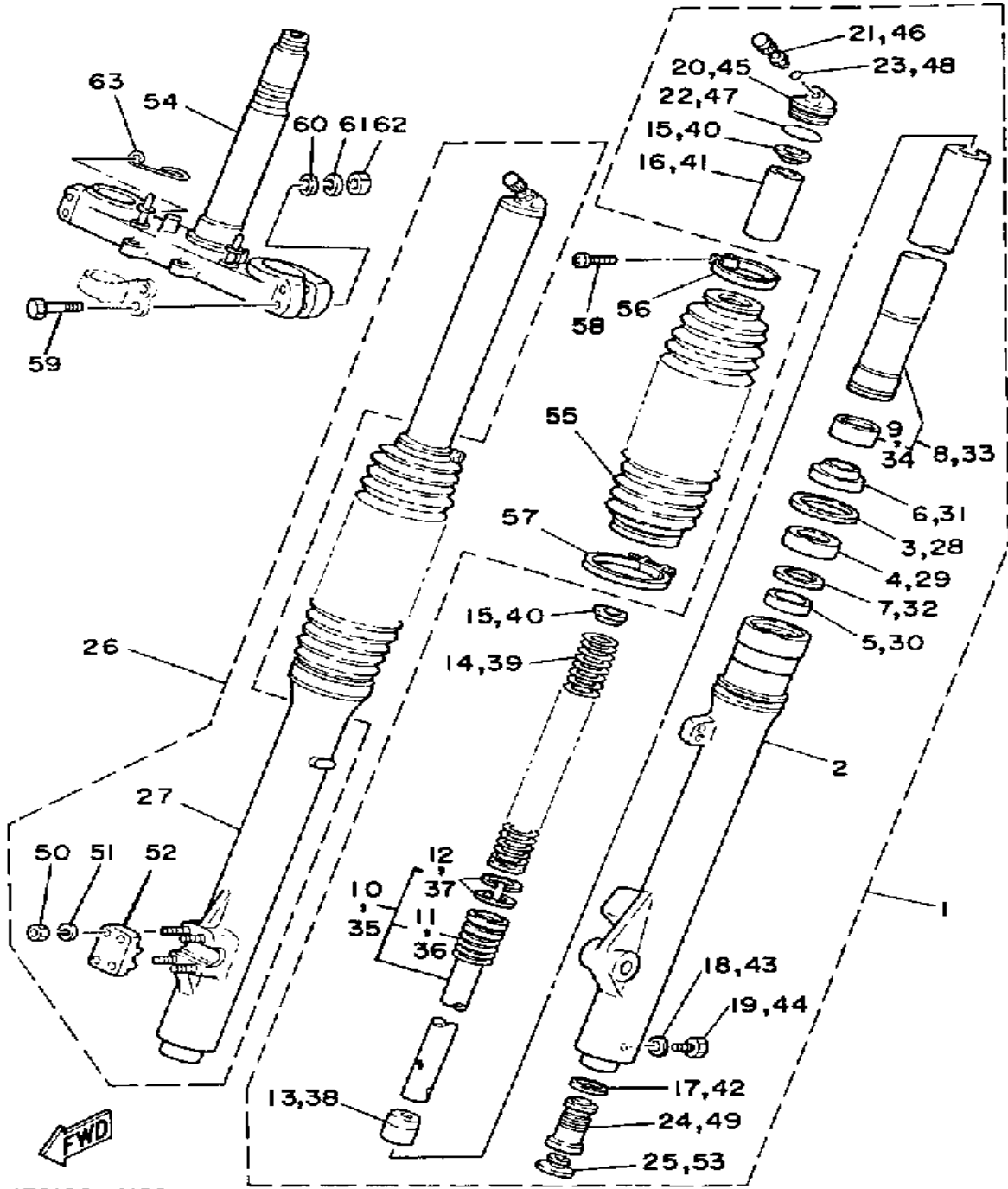
REAR SUSPENSION



43G100-4170

Ref. No.	Part Number	Description	Qty	Remarks
26	90185-10120-00	NUT, SELF-LOCKING	1	
27	90201-100F7-00	WASHER, PLATE	1	
28	23X-22211-00-00	COVER	2	
29	90387-127G8-00	COLLAR	2	
30	90109-10700-00	BOLT	1	
31	90201-120E6-00	WASHER, PLATE	1	
32	90201-100E9-00	WASHER, PLATE	1	
33	90185-10120-00	NUT, SELF-LOCKING	1	
34	90387-126H8-00	COLLAR	2	
35	24X-22261-00-00	DAMPER, SUB TANK	1	
36	24X-22262-00-00	HOLDER, SUB TANK	1	
37	90480-22263-00	GROMMET	1	

FRONT FORK

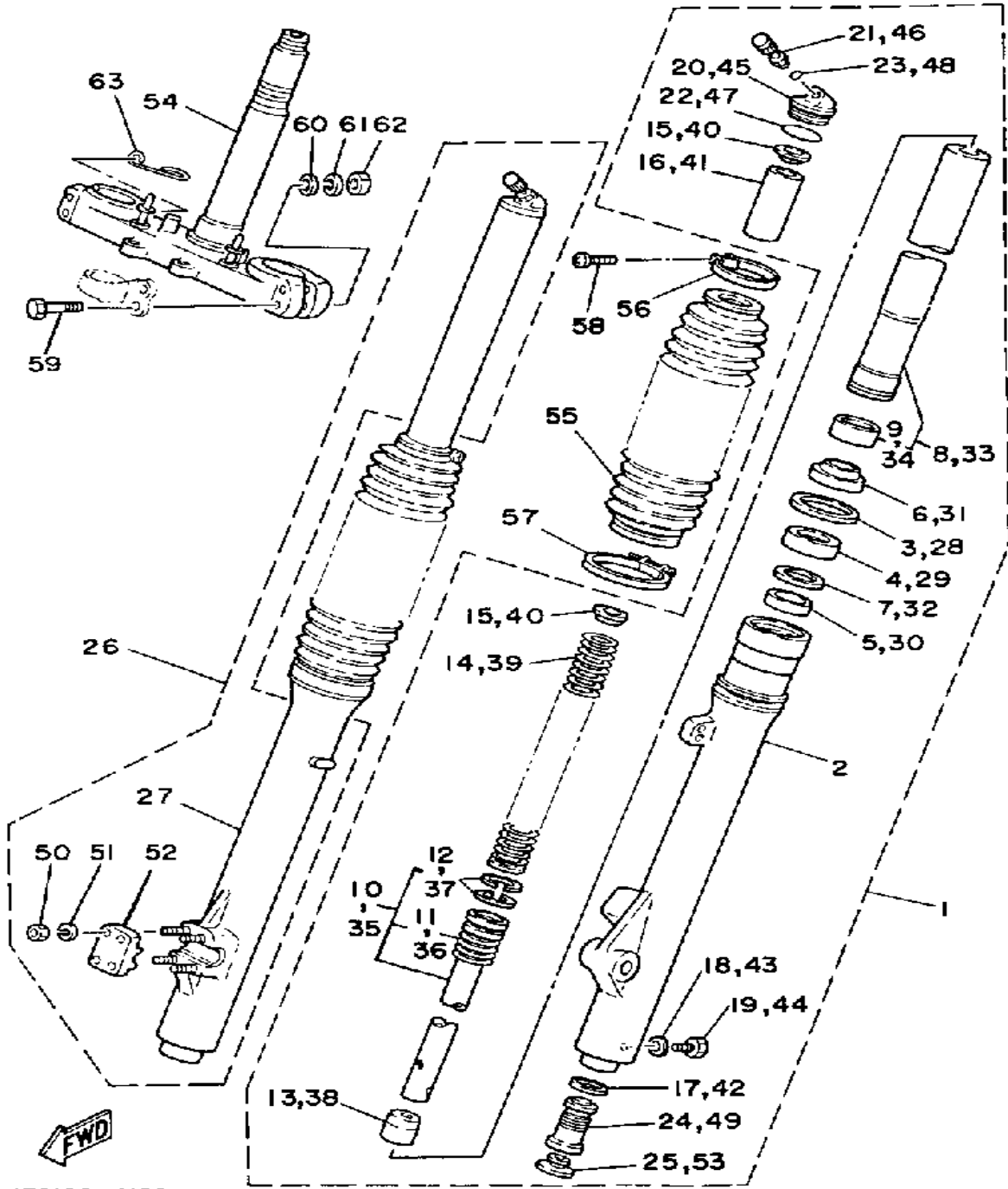


43G100-4190

Ref. No.	Part Number	Description	Qty	Remarks
1	(43G-23102-L0-00)	FRONT FORK ASSEMBLY L	1	
2	43G-23126-L0-00	. TUBE, OUTER 1	1	
3	4V4-23153-L0-00	. RING, SNAP	1	
4	23X-23145-L0-00	. OIL SEAL	1	
5	3XJ-23125-L0-00	. METAL, SLIDE 1	1	
6	23X-23144-L0-00	. SEAL, DUST	1	
7	4V4-23146-L0-00	. WASHER, OIL SEAL	1	
8	43M-23110-L0-00	. INNER TUBE 1COMP. 1	1	
9	4V4-23171-L0-00	. PISTON, FRONT FORK	1	
10	43G-23170-L0-00	. CYLINDER, FRTRFKCOMP., FRONT FORK	1	
11	5X6-23152-L0-00	. SPRING, SUB	1	
12	4V4-23157-L0-00	. RING, PISTON FRTRFK	2	
13	23X-23173-L0-00	. SPINDLE, TAPER	1	
14	(43G-23141-10-00)	SPRING, FRTRFK SOFT	1	U.R.
	(43G-23141-20-00)	SPRING, FRTRFK HARD	1	U.R.
	43G-23141-L0-00	. SPRING, FRTRFK STD (K=0.3)	1	U.R.ä STD
15	4V4-23142-L0-00	. SEAT, SPRING UPPER	2	
16	(43G-23118-L0-00)	SPACER	1	
17	23X-23158-L0-00	. GASKET	1	
18	122-23129-00-00	. GASKET, DRAIN PLUG	1	
19	4H7-23119-00-00	. PLUG, DRAIN - (122-23119-01)	1	
20	43M-23111-L0-00	. BOLT, CAP	1	
21	23X-23190-L0-00	. AIR VALVE COMP	1	
22	4V4-23188-L0-00	. O-RING	1	
23	3J2-23147-00-00	. O-RING	1	
24	43G-2316A-L0-00	. VALVE	1	
25	43M-2312G-L0-00	. PLUG	1	
26	(43G-23103-L0-00)	FRONT FORK ASSEMBLY R	1	

CONTINUED ON NEXT FRAME ➤

FRONT FORK

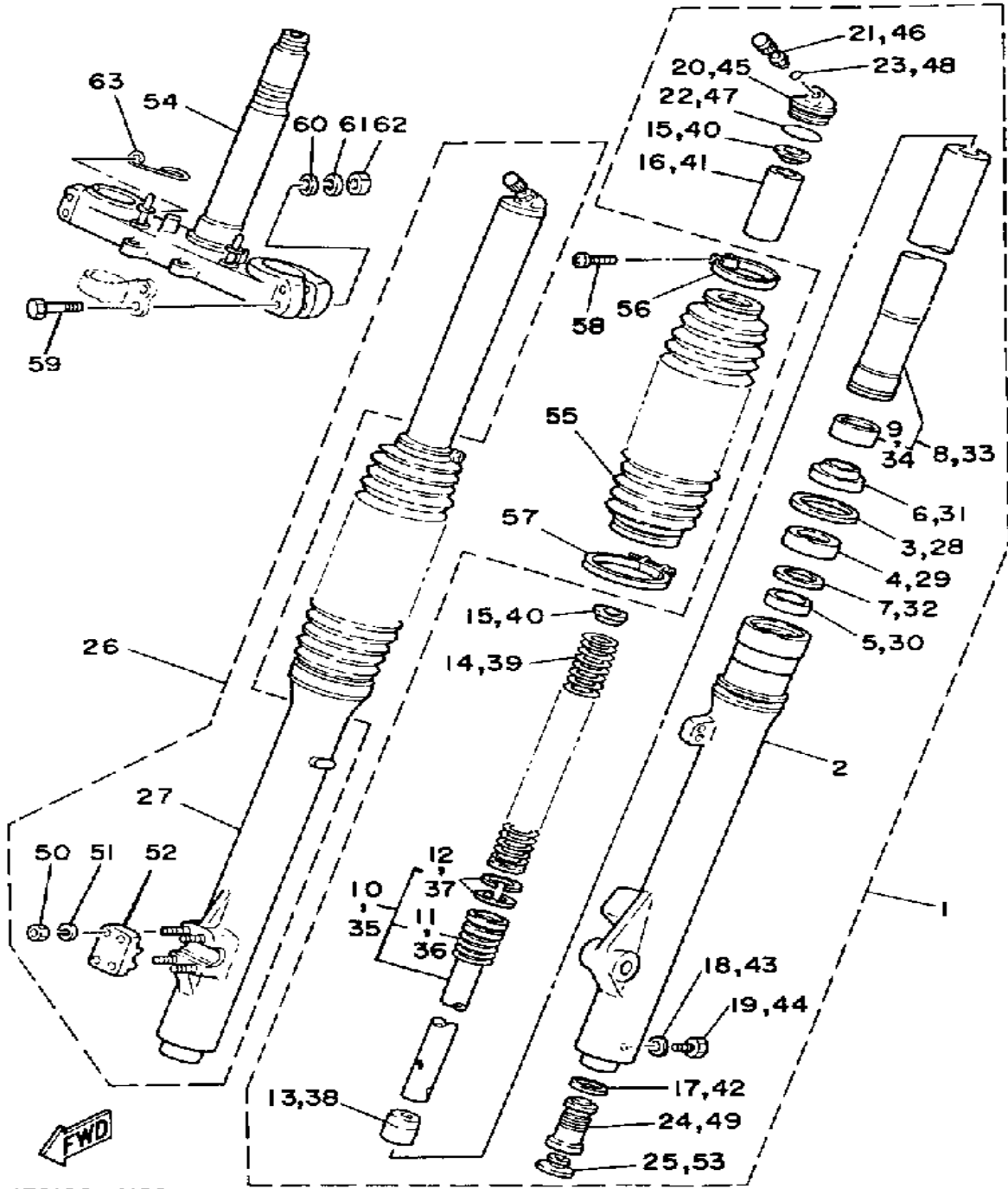


43G100-4190

Ref. No.	Part Number	Description	Qty	Remarks
27	(43G-23136-L0-00)	TUBE, OUTER 2	1	
28	4V4-23153-L0-00	. RING, SNAP	1	
29	23X-23145-L0-00	. OIL SEAL	1	
30	3XJ-23125-L0-00	. METAL, SLIDE 1	1	
31	23X-23144-L0-00	. SEAL, DUST	1	
32	4V4-23146-L0-00	. WASHER, OIL SEAL	1	
33	43M-23110-L0-00	. INNER TUBE 1COMP. 1	1	
34	4V4-23171-L0-00	. . PISTON, FRONT FORK	1	
35	43G-23170-L0-00	. CYLINDER, FRTFRKCOMP., FRONT FORK	1	
36	5X6-23152-L0-00	. . SPRING, SUB	1	
37	4V4-23157-L0-00	. . RING, PISTON FRTFRK	2	
38	23X-23173-L0-00	. SPINDLE, TAPER	1	
39	(43G-23141-10-00)	SPRING, FRTFRK SOFT	1	U.R.
	(43G-23141-20-00)	SPRING, FRTFRK HARD	1	U.R.
	43G-23141-L0-00	. SPRING, FRTFRK STD (K=0.3)	1	U.R. STD
40	4V4-23142-L0-00	. SEAT, SPRING UPPER	2	
41	(43G-23118-L0-00)	SPACER	1	
42	23X-23158-L0-00	. GASKET	1	
43	122-23129-00-00	. GASKET, DRAIN PLUG	1	
44	4H7-23119-00-00	. PLUG, DRAIN - (122-23119-01)	1	
45	43M-23111-L0-00	. BOLT, CAP	1	
46	23X-23190-L0-00	. AIR VALVE COMP	1	
47	4V4-23188-L0-00	. O-RING	1	
48	3J2-23147-00-00	. O-RING	1	
49	43G-2316A-L0-00	. VALVE	1	
50	95311-06600-00	. NUT	4	
51	92995-06100-00	. WASHER, SPRING	4	
52	43M-23167-L0-00	. HOLDER, AXLE	1	

CONTINUED ON NEXT FRAME ➤

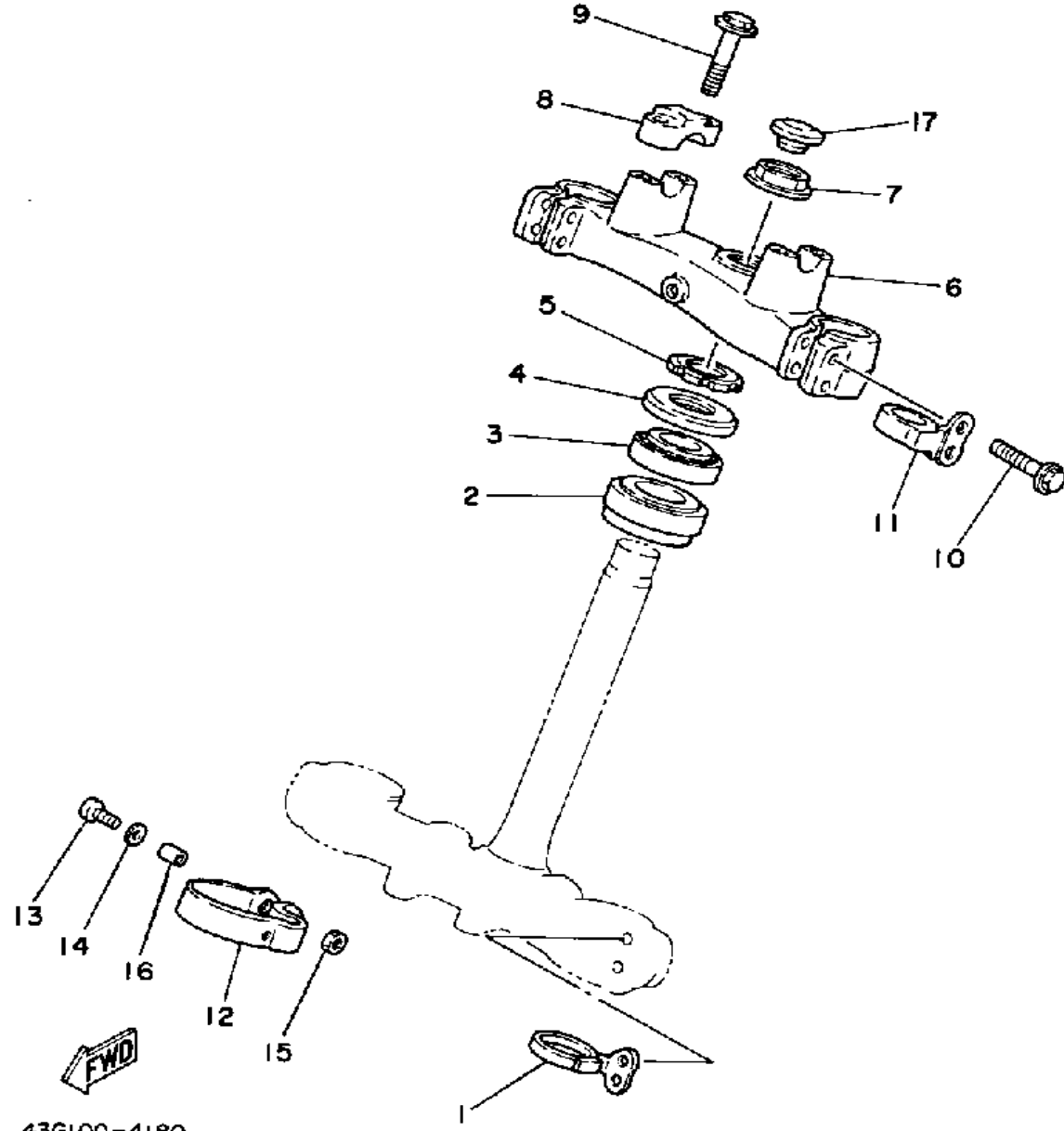
FRONT FORK



43G100-4190

Ref. No.	Part Number	Description	Qty	Remarks
53	43M-2312G-L0-00	. PLUG	1	
54	43G-23340-L0-00	UNDER BRACKETCOMP.	1	
55	39X-23191-00-00	BOOT, FRONT FORK	2	YELLOW
56	43M-23192-L0-00	BAND	2	
57	3LD-23489-00-00	BAND	2	
58	98506-04018-00	SCREW, PAN HEAD	2	
59	90101-08340-00	BOLT	4	
60	92901-08600-00	WASHER	3	
61	92990-08100-00	WASHER	4	
62	95333-08600-00	NUT	4	
63	4V5-23389-00-00	GUIDE, CABLE	1	

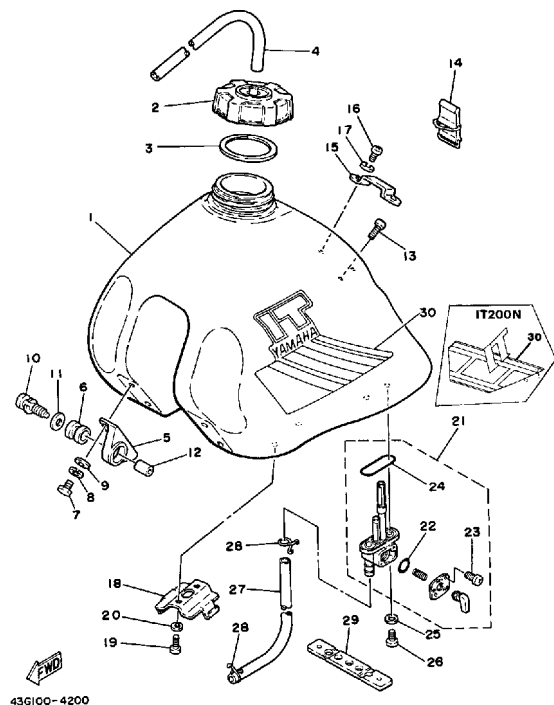
STEERING



43G100-4180

Ref. No.	Part Number	Description	Qty	Remarks
1	3R4-23389-00-00	GUIDE, CABLE	1	
2	93332-00008-00	BEARING	1	
3	93332-00001-00	BEARING	1	
4	3HE-23416-00-00	COVER, BALL RACE 2	1	
5	90179-25033-00	NUT	1	
6	39W-23435-01-98	CROWN, HANDLE	1	LOW GLOSS BLK
7	90179-22330-00	NUT, SPEC'L SHAPE	1	
8	1E6-23441-00-00	HOLDER, HANDLE UPR	2	
9	95811-08035-00	BOLT, FLANGE (95821-08035) .	4	
10	90105-08091-00	BOLT, WASHER BASED	4	
11	3R4-23317-00-00	HOLDER, CABLE	1	
12	26A-23318-00-00	HOLDER, CABLE 1	1	
13	98501-05030-00	SCREW, PAN HEAD	1	
14	92901-05600-00	WASHER, PLATE	1	
15	95380-05600-00	NUT	1	
16	90387-061G2-00	COLLAR	1	
17	34K-2319U-00-00	CAP	1	

FUEL TANK

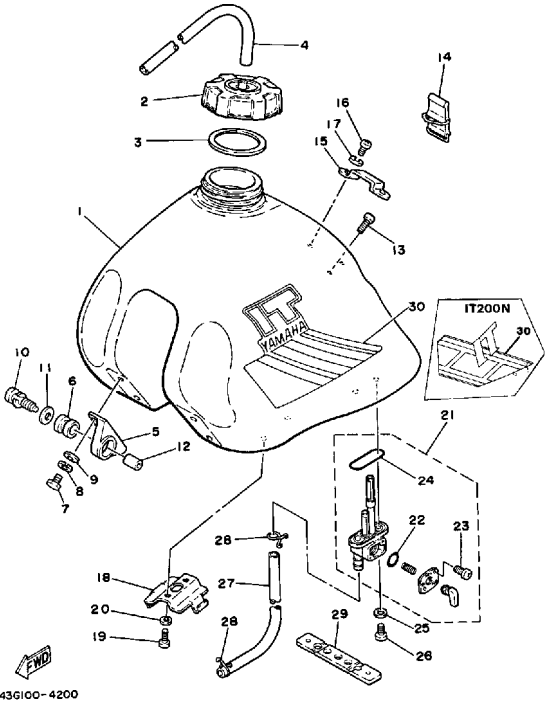


43G100-4200

Ref. No.	Part Number	Description	Qty	Remarks
1	99999-01654-00	FUEL TANK	1	
2	1UY-24610-00-00	CAP ASSEMBLY	1	
3	3R9-24612-00-00	GASKET, CAP	1	
4	90445-09252-00	HOSE	1	
5	24X-24144-00-00	HOLDER, DAMPER	2	
6	90480-18354-00	GROMMET	2	
7	97313-06016-00	BOLT, HEXAGON	4	
8	92995-06100-00	WASHER, SPRING	4	
9	90201-061A5-00	WASHER, PLATE	4	
10	90119-06073-00	BOLT, WITH WASHER	2	
11	90201-06697-00	WASHER, PLATE	2	
12	90387-06553-00	COLLAR	2	
13	98903-06018-00	SCREW, BIND	1	
14	59V-24173-00-00	BAND, TANK FITTING 1	1	
15	5X6-2412F-00-00	BRACKET, SEAT	1	
16	98580-06012-00	SCREW, PAN HEAD	2	
17	92995-06100-00	WASHER, SPRING	2	
18	5X6-2415F-01-00	STAY, CHAMBER	1	
19	98580-06012-00	SCREW, PAN HEAD	2	
20	92995-06100-00	WASHER, SPRING	2	
21	43G-24500-00-00	FUEL COCK ASSEMBLY 1 ...	1	
22	4X8-24534-00-00	. SEAL, COCK	1	
23	98580-03008-00	. SCREW, PAN HEAD	2	
24	4X8-24512-00-00	. O-RING	1	
25	90202-05187-00	WASHER, PLATE	2	
26	90149-06011-00	SCREW	2	
27	90445-11295-00	HOSE	1	
28	90467-10008-00	CLIP	2	
29	43G-24181-00-00	DAMPER, LOCATING 1	1	

CONTINUED ON NEXT FRAME ➤

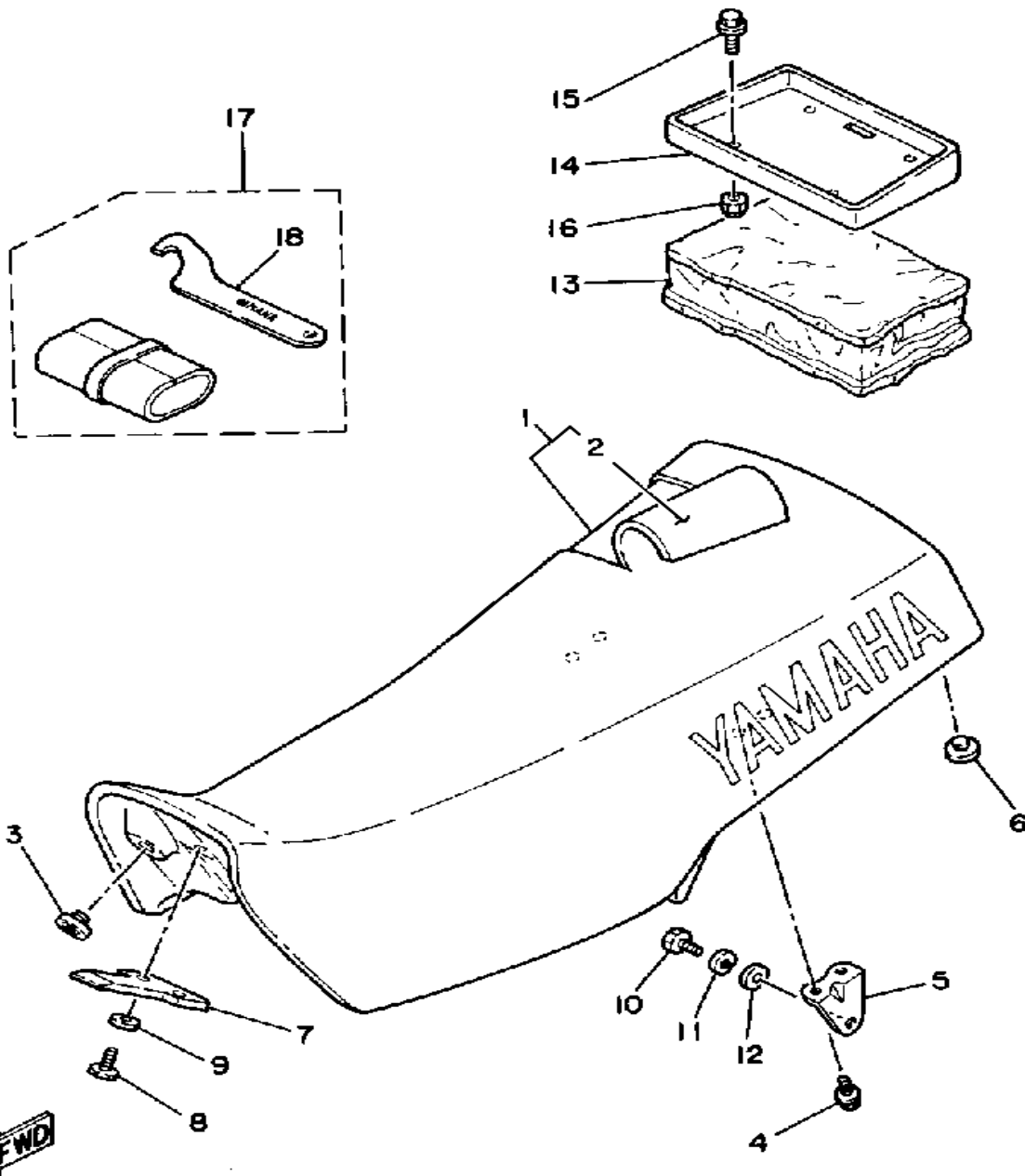
FUEL TANK



Ref. No.	Part Number	Description	Qty	Remarks
30	(49T-24250-00-00)	GRAPHIC SET	1	
	1TY-24250-00-00	GRAPHIC SET	1	

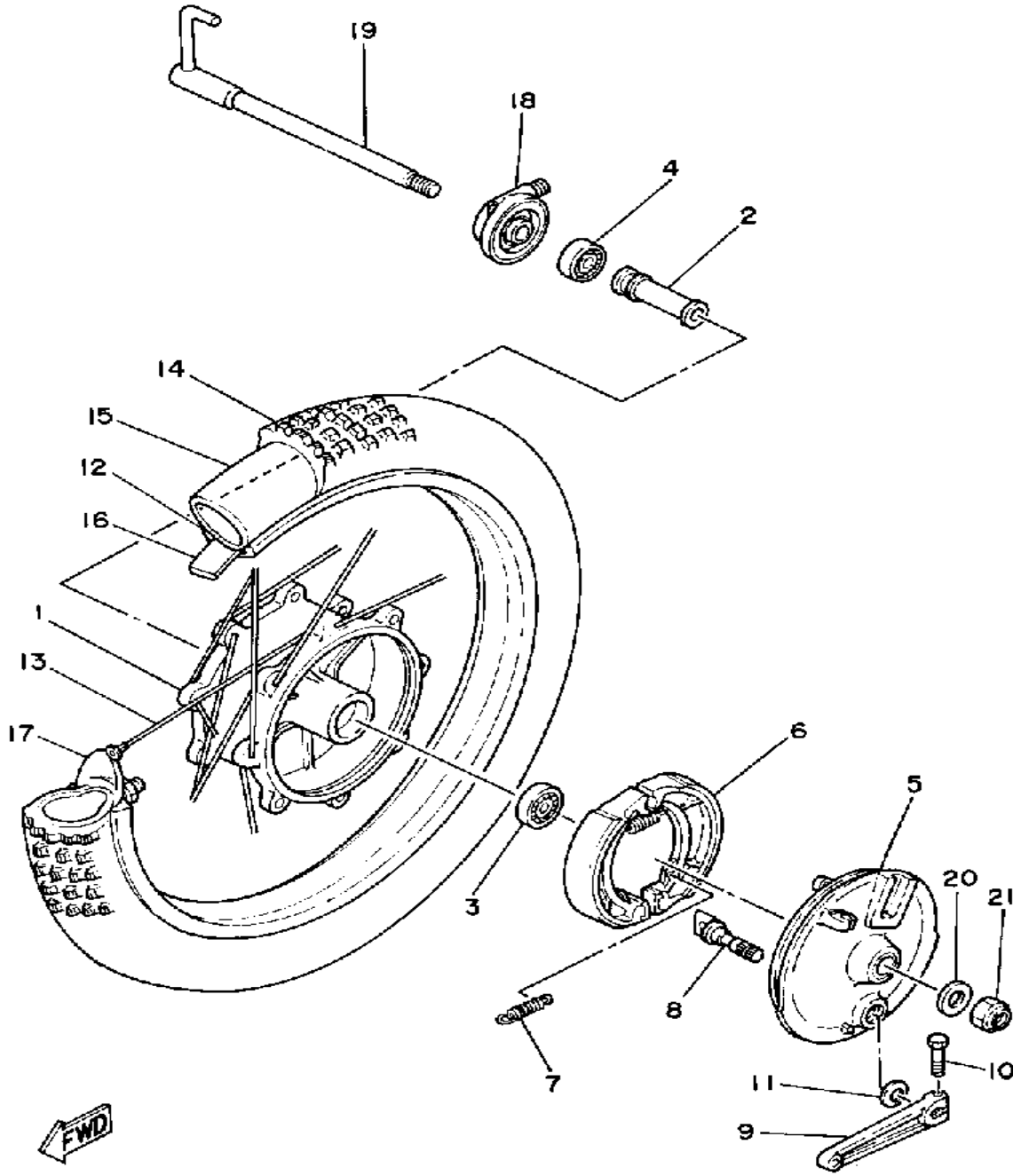
SEAT

Ref. No.	Part Number	Description	Qty	Remarks
1	43G-W2473-00-00	SEMI-DBL-SEAT ASSEMBLYSEAT ASSEMBLY	1	
2	43G-24731-00-00	. COVER, DOUBLE SEAT	1	
3	509-24724-00-00	DAMPER, SEAT	2	
4	95811-06012-00	BOLT, FLANGE	4	
5	39W-24738-00-00	BRACKET, SEAT	2	
6	509-24724-00-00	DAMPER, SEAT	1	
7	5X6-24748-10-00	BRACKET, SEAT	1	
8	97013-06012-00	BOLT	2	
9	92995-06100-00	WASHER, SPRING	2	
10	97313-08018-00	BOLT, HEXAGON (97301-08016)	2	
11	92990-08100-00	WASHER	2	
12	90201-087F0-00	WASHER, PLATE	2	
13	4V5-24850-00-00	CARRIER BOX ASSEMBLY	1	
14	4V5-24833-00-00	BRACKET, CARRIER 2	1	
15	95811-06016-00	BOLT, FLANGE (95822-06016)	4	
16	95601-06200-00	NUT, U FLANGE	4	
17	26A-28100-00-00	TOOL KIT	1	
18	1HX-28135-00-00	. SPANNER, SPECIAL	1	



43G100-4211

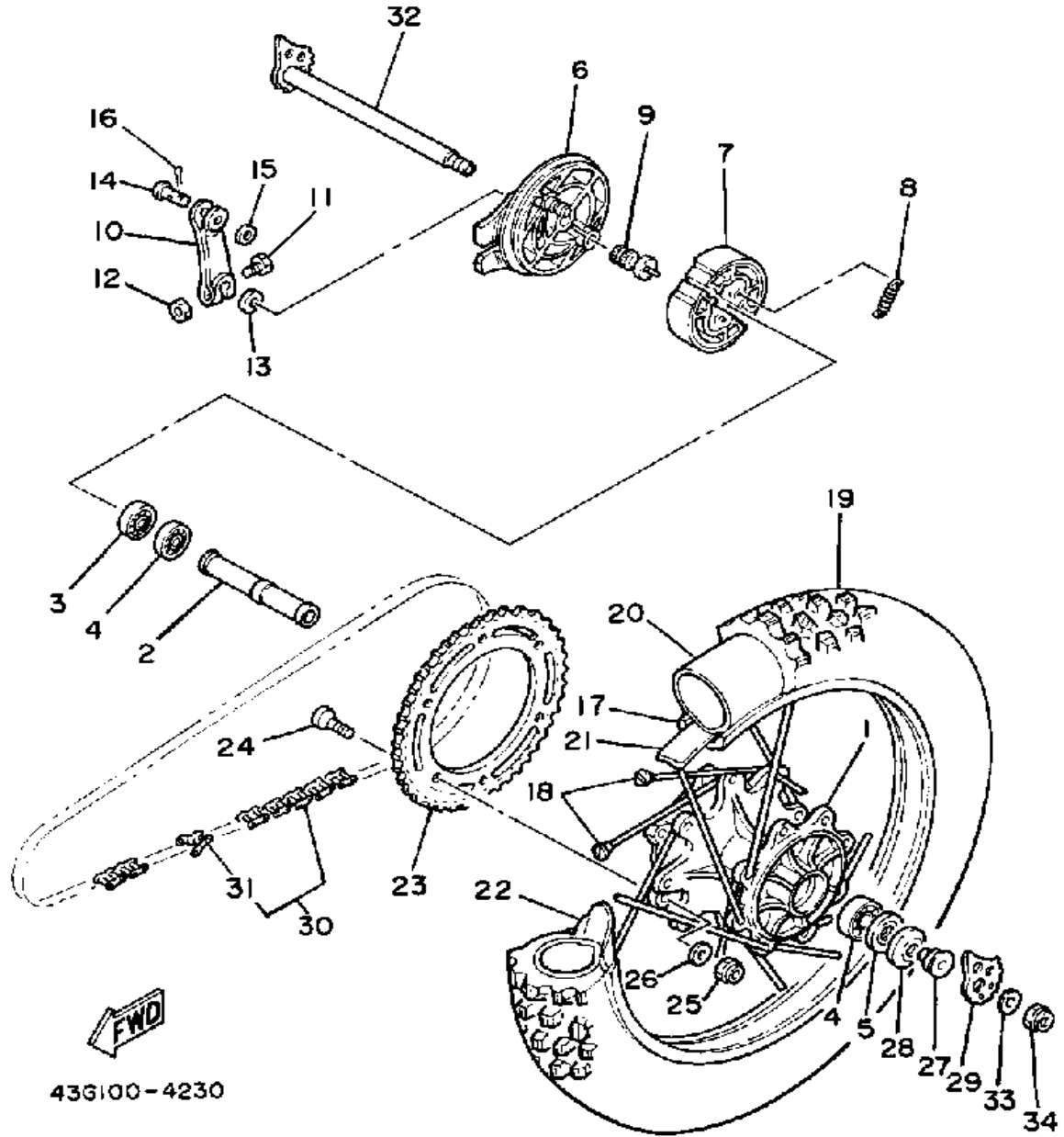
FRONT WHEEL



Ref. No.	Part Number	Description	Qty	Remarks
1	38V-25111-00-98	HUB, FRONT	1	LOW GLOSS BLK
2	90560-15227-00	SPACER	1	
3	93306-20226-00	BEARING	1	
4	93306-20209-00	BEARING (B6202)	1	
5	1W1-25016-11-98	BRAKE SHOE PLT ASSEMBLY (1W1-25121-02-98)	1	LOW GLOSS BLK
6	39W-W2536-00-00	BRAKESHOE SET-2PCS	2	
7	90506-17328-00	SPRING, TENSION	2	
8	49T-25151-00-00	CAMSHAFT (39W-25151-00)	1	
9	322-25155-00-00	LEVER, CAMSHAFT 1	1	
10	90101-06291-00	BOLT	1	
11	93104-11056-00	OIL SEAL, SO-TYPE	1	
12	94416-21389-00	RIM 1.60X 1	1	
13	43G-25104-00-00	SPOKE SET, FRONT	1	
14	94109-212F8-00	90/90-21 M2EA-TT	1	INOUE
15	94230-21126-00	TUBE (3.00-21)	1	INOUE
16	(94330-21088-00)	BAND, RIM	1	INOUE
17	4V5-25194-00-00	SPACER, BEAD	1	
18	26A-25190-00-00	GEAR UNIT ASSEMBLY	1	
19	43G-25181-00-00	AXLE, WHEEL	1	
20	90201-15785-00	WASHER, PLATE	1	
21	90185-14070-00	NUT, SELF-LOCKING	1	

43G100-4220

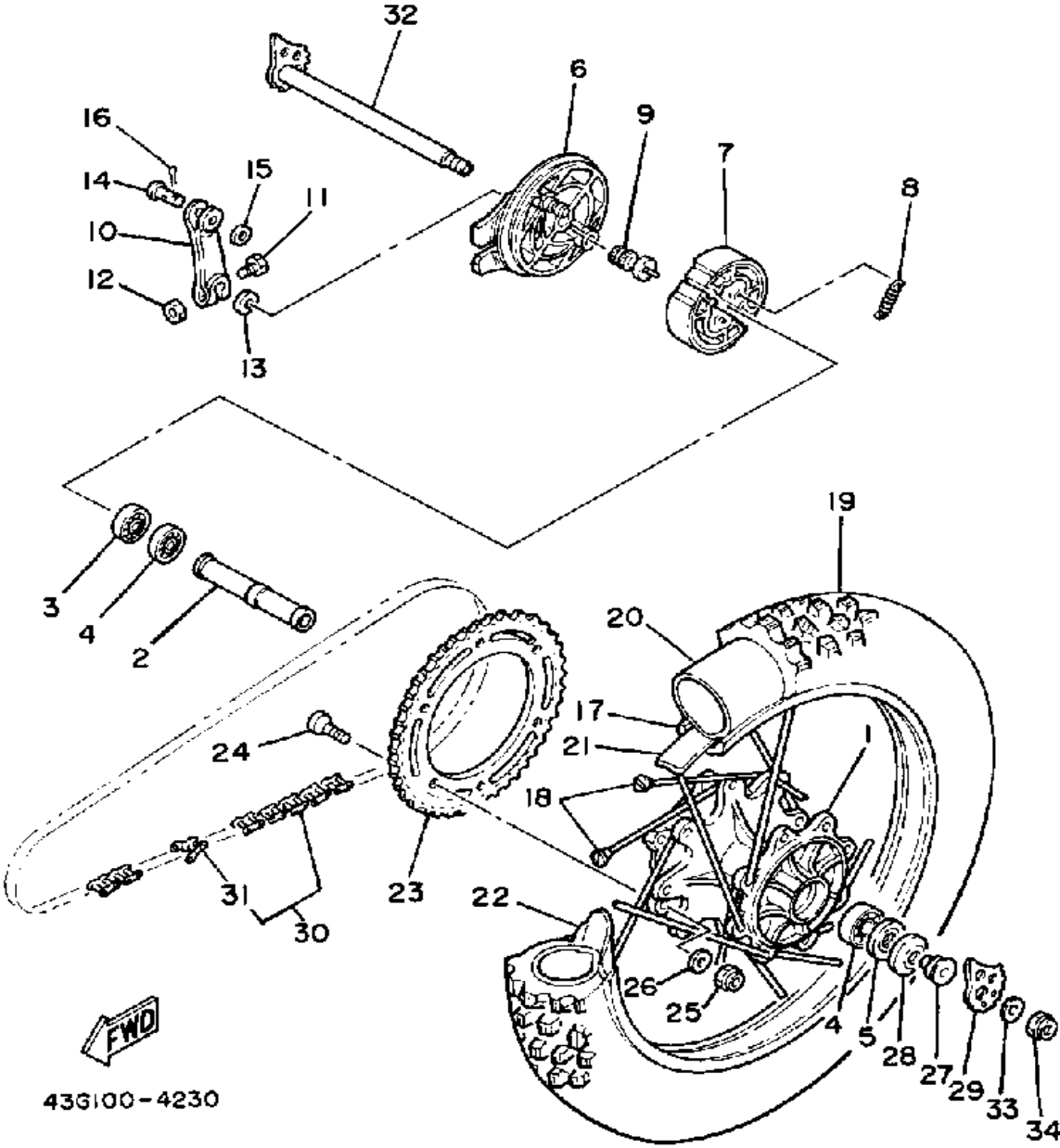
REAR WHEEL



Ref. No.	Part Number	Description	Qty	Remarks
1	55Y-25311-00-98	HUB, REAR	1	
2	90560-17231-00	SPACER	1	
3	93306-20310-00	BEARING	1	
4	93306-20310-00	BEARING	2	
5	93106-25022-00	OIL SEAL, DD-TYPE	1	
6	43G-25321-00-98	PLATE, BRAKE SHOE	1	LOW GLOSS BLK
7	39W-W2536-00-00	BRAKESHOE SET-2PCS	2	
8	90506-17328-00	SPRING, TENSION	2	
9	49T-25351-00-00	CAMSHAFT	1	
10	43G-25355-00-00	LEVER, CAMSHAFT	1	
11	90101-06278-00	BOLT	1	
12	95380-06600-00	NUT	1	
13	148-25359-00-00	SEAL, CAMSHAFT	1	
14	3R6-27237-00-00	PIN, CLEVIS	1	
15	90201-12631-00	WASHER, PLATE	1	
16	91401-25030-00	PIN, COTTER	1	
17	94181-84170-0	UNAVAILABLE IN PRICE BOOK	1	
	94418-18388-00	RIM 1.85X 8	1	
18	43G-25304-00-00	SPOKE SET, REAR	1	
	55Y-25304-00-00	SPOKE SET, REAR	1	
19	94112-182F7-00	120/90-18 MK2-TT (110/90-18 61M)	1	INOUE
20	(94211-18209-00)	TUBE	1	INOUE
21	94325-18043-00	BAND, RIM	1	INOUE
22	39W-25394-00-00	SPACER, BEAD	2	
23	26A-25442-50-00	SPROCKET, DRIVN 42T	1	ALT. PART
	26A-25444-50-00	SPROCKET, DRIVEN (44T)	1	U.R.
	26A-25446-50-33	SPROCKET, DRIVEN (46T) (26A-25446-50-00)	1	ALT. PART

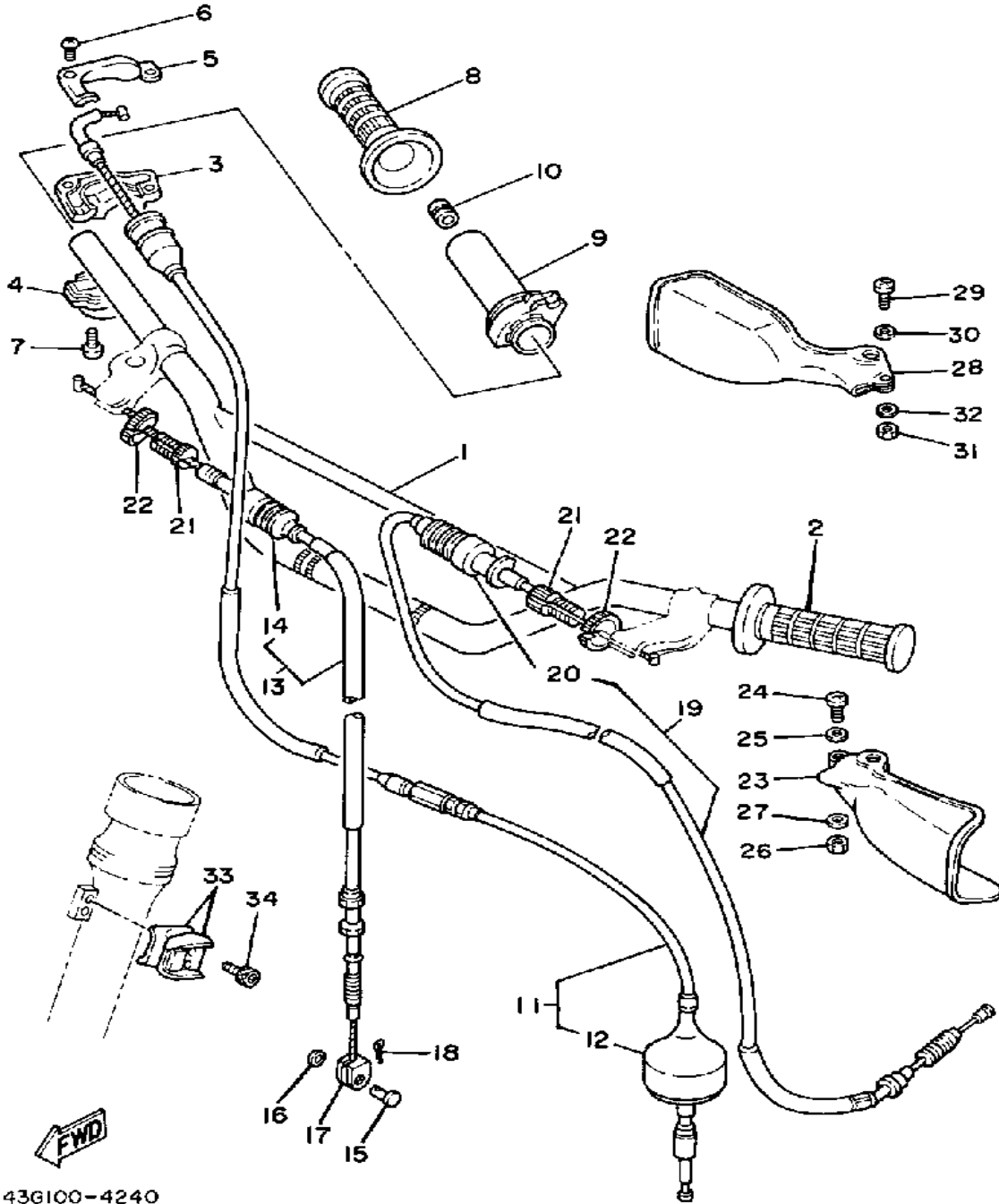
CONTINUED ON NEXT FRAME ►

REAR WHEEL



Ref. No.	Part Number	Description	Qty	Remarks
24	90109-08706-00	BOLT	6	
25	95611-08100-00	NUT, U	6	
26	90201-081A6-00	WASHER, PLATE	6	
27	90387-175K4-00	COLLAR	1	
28	24X-25367-00-00	COVER, HUB DUST	1	
29	1M1-25388-01-00	PULLER, CHAIN 1	1	
30	94585-20106-00	520 DS 106L	1	
31	94685-20001-00	. JOINT CHAIN	1	
32	43G-25381-00-00	AXLE, WHEEL	1	
33	90201-160F6-00	WASHER, PLATE	1	
34	90185-16103-00	NUT, SELF-LOCKING	1	

STEERING HANDLE-CABLE

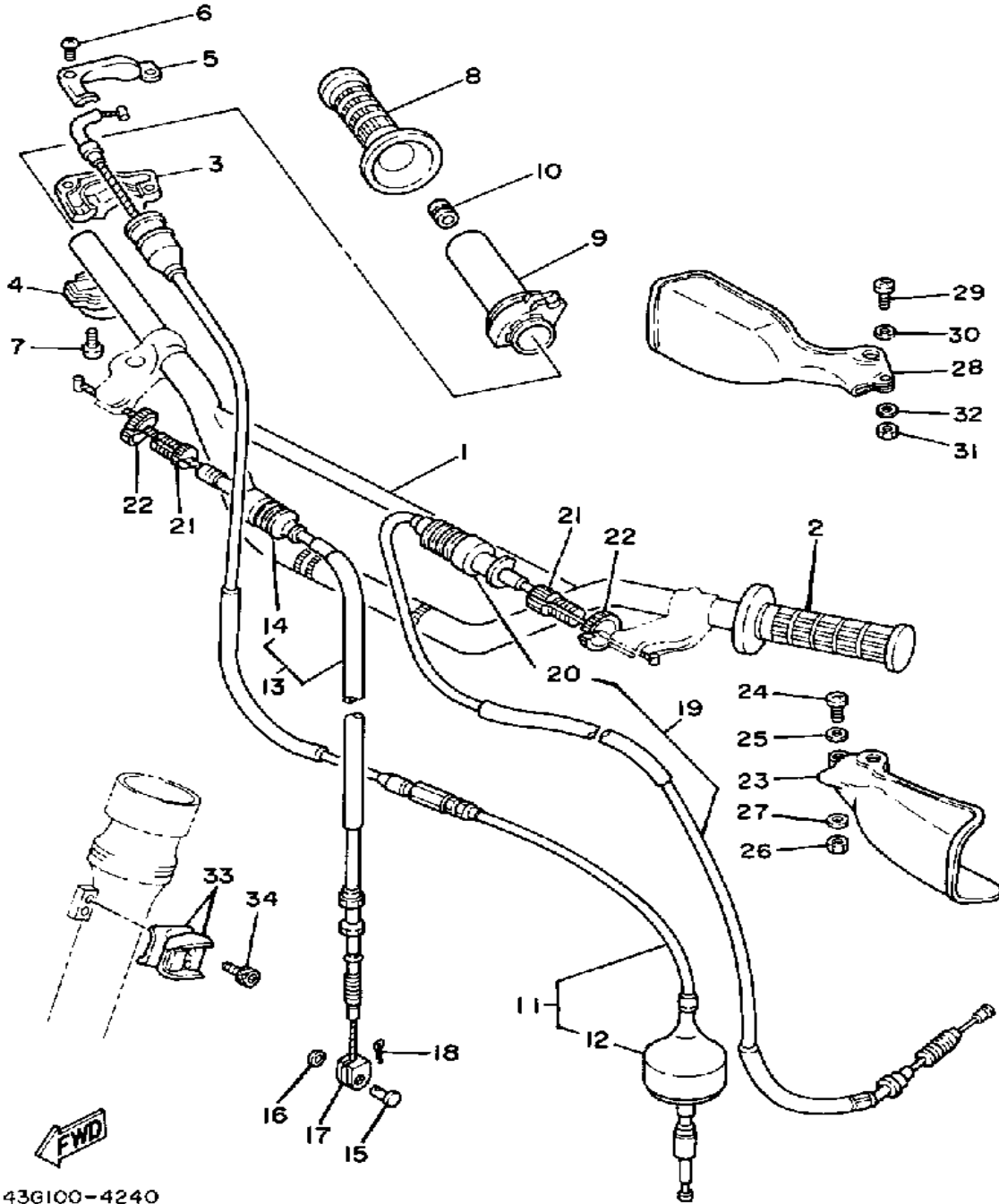


43G100-4240

Ref. No.	Part Number	Description	Qty	Remarks
1	23X-26111-00-00	HANDLEBAR	1	
2	4V4-26241-01-00	GRIP (L.H.) (4V4-26241-00)	1	
3	5X2-26281-00-00	CAP, GRIP UPPER	1	
4	322-26282-00-00	CAP, GRIP LOWER	1	LOW GLOSS BLK
5	5X2-2628H-01-00	CAP, WIRE	1	
6	98706-04012-00	SCREW, FLAT HEAD	2	
7	98586-05016-00	SCREW, PAN HEAD	2	
8	1LX-26242-01-00	GRIP (RIGHT)	1	
9	22W-26243-00-00	TUBE, THROTTLE GUIDE	1	
10	90338-12192-00	PLUG	1	
11	43G-26311-00-00	CABLE, THROTTLE 1	1	
12	500-26329-01-00	. CAP, RUBBER	1	
13	5X8-26341-00-00	CABLE, BRAKE	1	
14	1E6-26342-00-00	. BOOT, CABLE	1	
15	90240-08013-00	PIN, CLEVIS	1	
16	90201-08083-00	WASHER, PLATE	1	
17	156-26347-00-00	JOINT, CABLE	1	
18	91490-20020-00	PIN, COTTER	1	
19	43G-26335-00-00	CABLE, CLUTCH	1	
20	1E6-26342-00-00	. BOOT, CABLE	1	
21	90123-08090-00	BOLT	2	
22	90179-08401-00	NUT	2	
23	3R9-26141-00-00	GUARD, BRUSH 1	1	SKY BLUE
24	98503-06014-00	SCREW, PAN HEAD (92502-06016)	1	
25	90201-061A5-00	WASHER, PLATE	1	
26	95380-06700-00	NUT	1	
27	92990-06200-00	WASHER	1	
28	3R9-26142-00-00	GUARD, BRUSH 2	1	SKY BLUE

CONTINUED ON NEXT FRAME ►

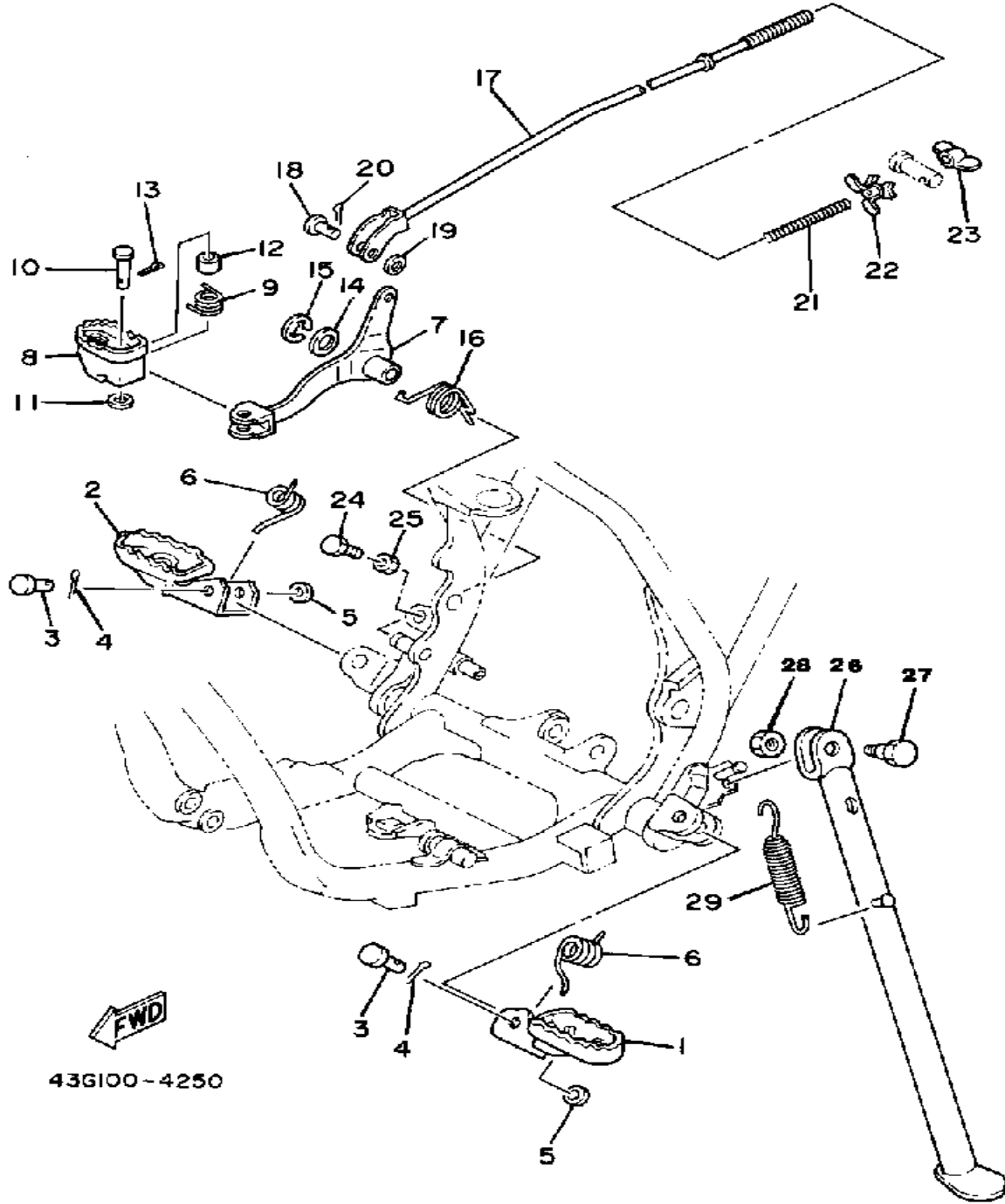
STEERING HANDLE-CABLE



Ref. No.	Part Number	Description	Qty	Remarks
29	98503-06014-00	SCREW, PAN HEAD (92502-06016)	1	
30	90201-061A5-00	WASHER, PLATE	1	
31	95380-06700-00	NUT	1	
32	92990-06200-00	WASHER	1	
33	90465-16258-00	CLAMP	2	
34	91311-06016-00	BOLT, SOCKET HEAD	2	

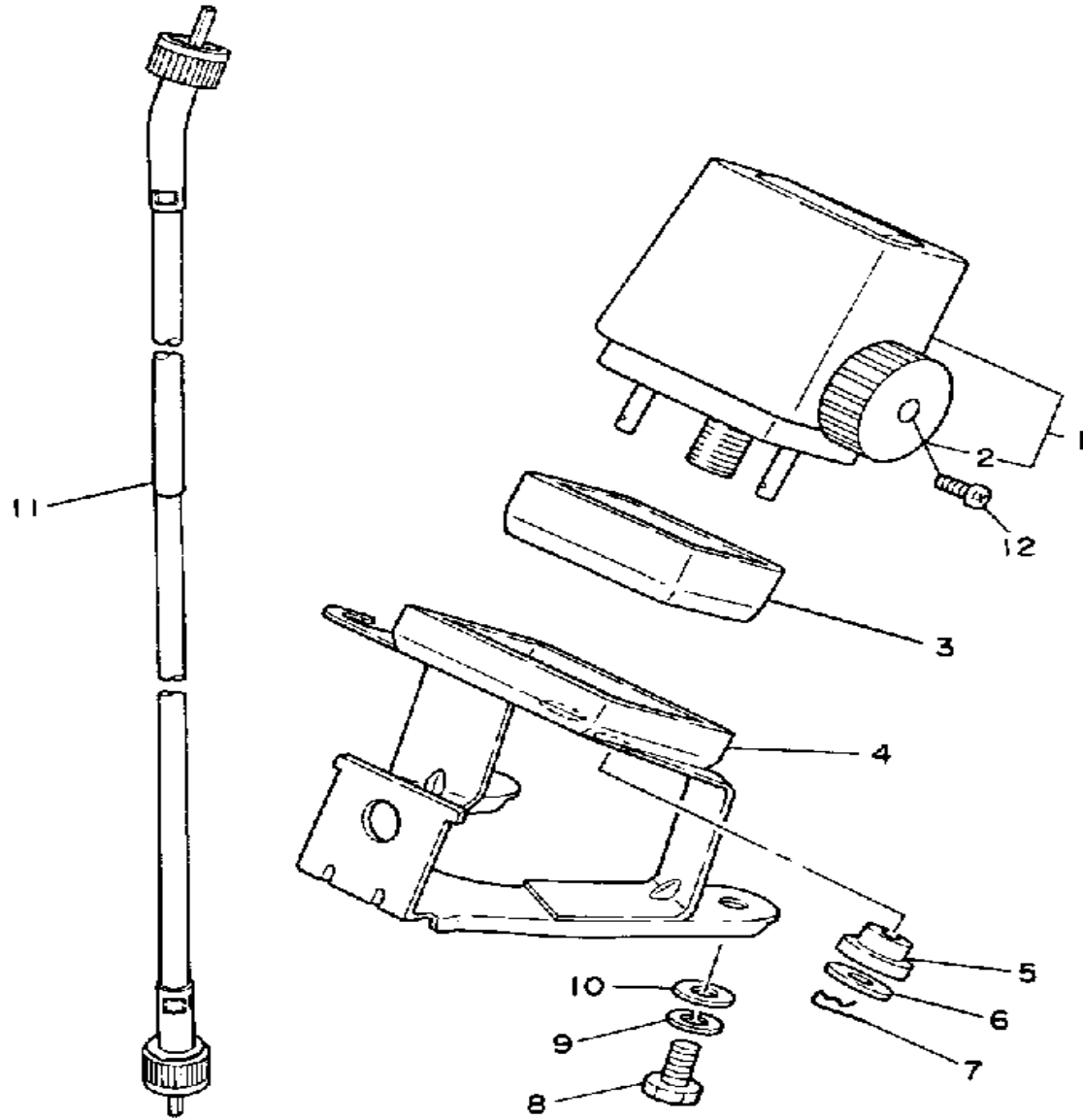
43G100-4240

STAND-FOOTREST



Ref. No.	Part Number	Description	Qty	Remarks
1	23X-27411-02-00	FOOTREST 1	1	
2	23X-27421-03-00	FOOTREST 2	1	
3	90240-10101-00	PIN, CLEVIS	2	
4	91401-25020-00	PIN, COTTER	2	
5	90201-10119-00	WASHER, PLATE	2	
6	90508-20583-00	SPRING, TORSION	2	
7	49T-27211-00-00	PEDAL, BRAKE	1	
8	5X8-27242-00-00	PEDAL, BRAKE	1	
9	90508-20451-00	SPRING, TORSION	1	
10	91701-08032-00	PIN, CLEVIS	1	
11	92901-08600-00	WASHER	1	
12	90387-08762-00	COLLAR	1	
13	91401-25020-00	PIN, COTTER	1	
14	92990-12600-00	WASHER, PLATE	1	
15	93430-09038-00	CIRCLIP	1	
16	90508-32662-00	SPRING, TORSION	1	
17	43G-27231-00-00	ROD, BRAKE	1	
18	90240-06103-00	PIN, CLEVIS	1	
19	92990-06200-00	WASHER	1	
20	91490-20020-00	PIN, COTTER	1	
21	90501-10245-00	SPRING, COMPRESSION	1	
22	1W2-27239-00-00	SEAT, SPRING	1	
23	20E-26343-00-00	NUT, ADJUSTING	1	
24	97313-06016-00	BOLT, HEXAGON	1	
25	95380-06700-00	NUT	1	
26	43G-27311-00-33	STAND, SIDE	1	YAMAHA BLK
27	90109-08032-00	BOLT (122-27317-01)	1	
28	95303-08700-00	NUT	1	
29	90507-29009-00	SPRING, TENSION	1	

METER

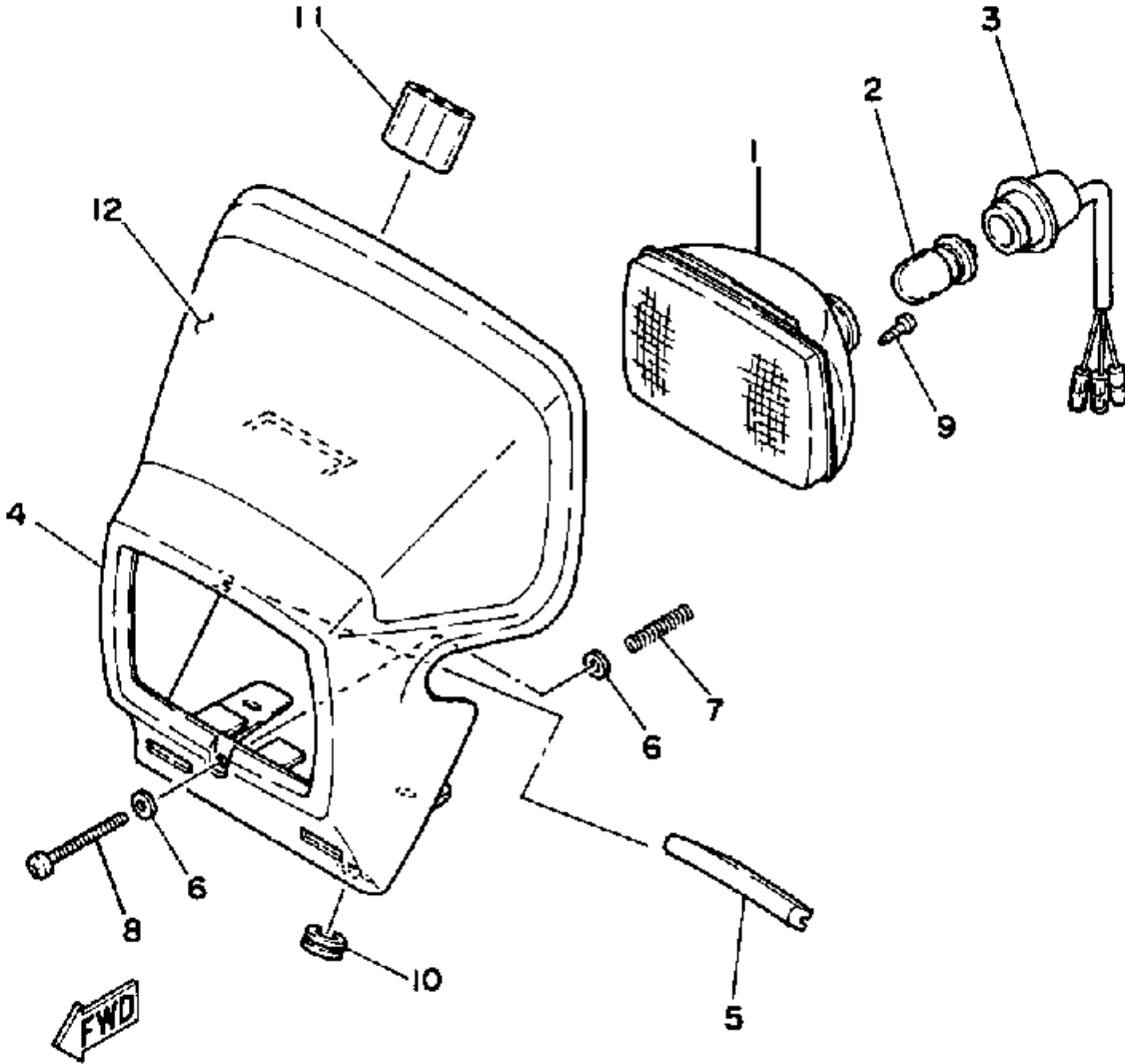


Ref. No.	Part Number	Description	Qty	Remarks
1	4V5-83505-60-00	TRIP METER CMPLT	1	MILE
	4V5-83505-F0-00	TRIP METER CMPLT	1	U.R. KM
2	4V5-83578-00-00	. KNOB, TRIP METER	1	
3	4V5-83513-00-00	DAMPER	1	
4	26A-83519-00-00	BRACKET, METER	1	
5	1M1-83526-00-00	DAMPER 2	2	
6	90201-052E2-00	WASHER, PLATE	2	
7	90468-10050-00	CLIP	2	
8	97013-06012-00	BOLT	2	
9	92995-06100-00	WASHER, SPRING	2	
10	90201-061A5-00	WASHER, PLATE	2	
11	4V5-83550-01-00	SPEEDOMETER CABLE	1	



43G100-4270

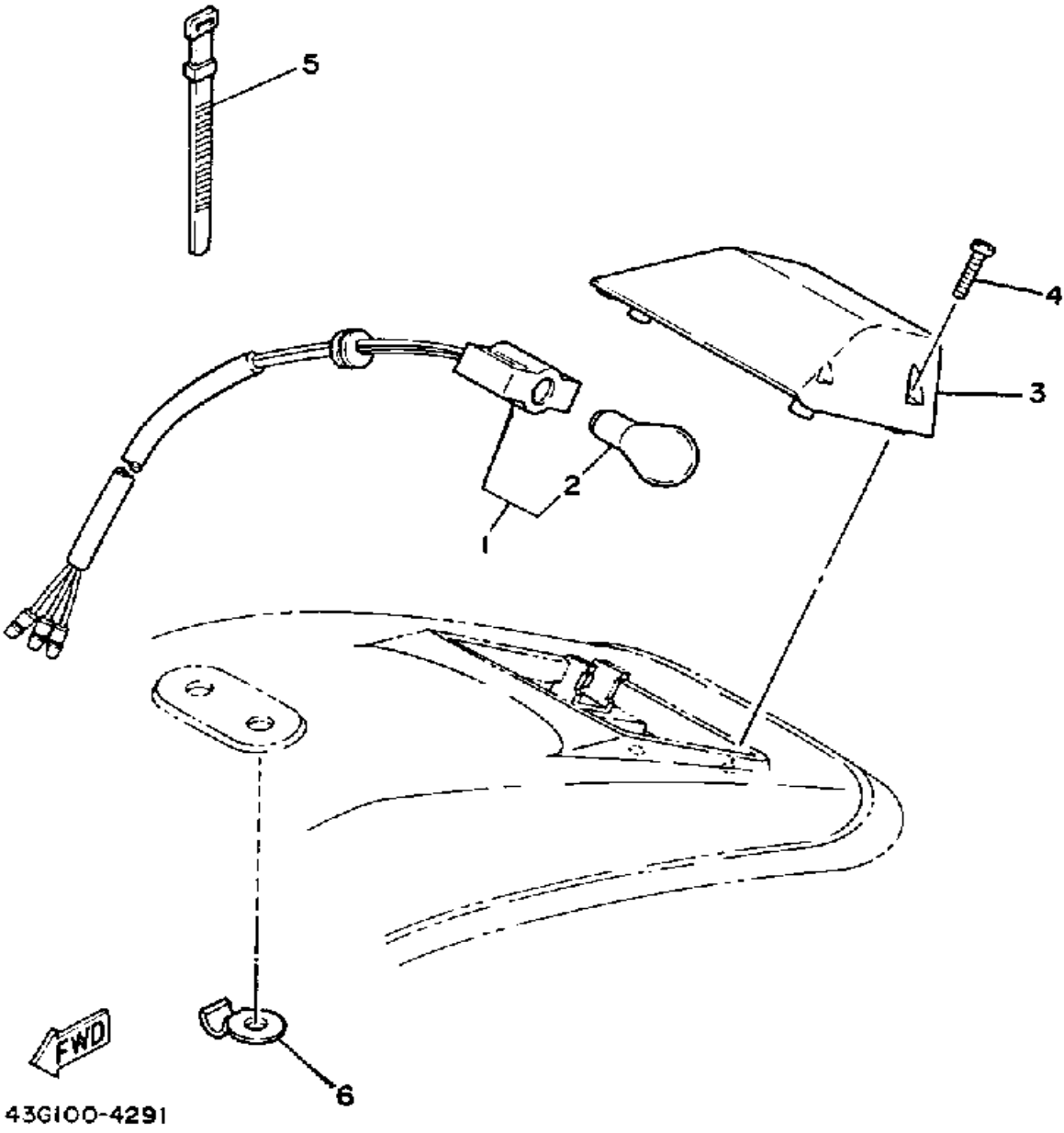
HEADLIGHT



29W300-3280

Ref. No.	Part Number	Description	Qty	Remarks
1	18A-84120-00-00	LENS ASSEMBLY (26A-84110-00)	1	
2	527-84114-09-XX	BULB, HL 6V25/25W	1	
3	26A-84140-00-00	SOCKET CORD ASSEMBLY	1	
4	26A-84111-01-00	BODY, HEADLIGHT (26A-84111-00)	1	
5	26A-84143-00-00	DAMPER, HEADLIGHT STAY	1	
6	92901-04600-00	WASHER, PLATE	2	
7	18A-84132-00-00	SPRING, SCREW	1	
8	97701-40555-00	SCREW, RIM ADJUSTER (18A-84131-00-00)	1	
9	97701-40510-00	SCREW, TAPPING	2	
10	90480-12053-00	GROMMET	2	
11	4V5-83592-00-00	DAMPER	1	
12	26A-84141-00-00	EMBLEM, HEADLIGHT	1	

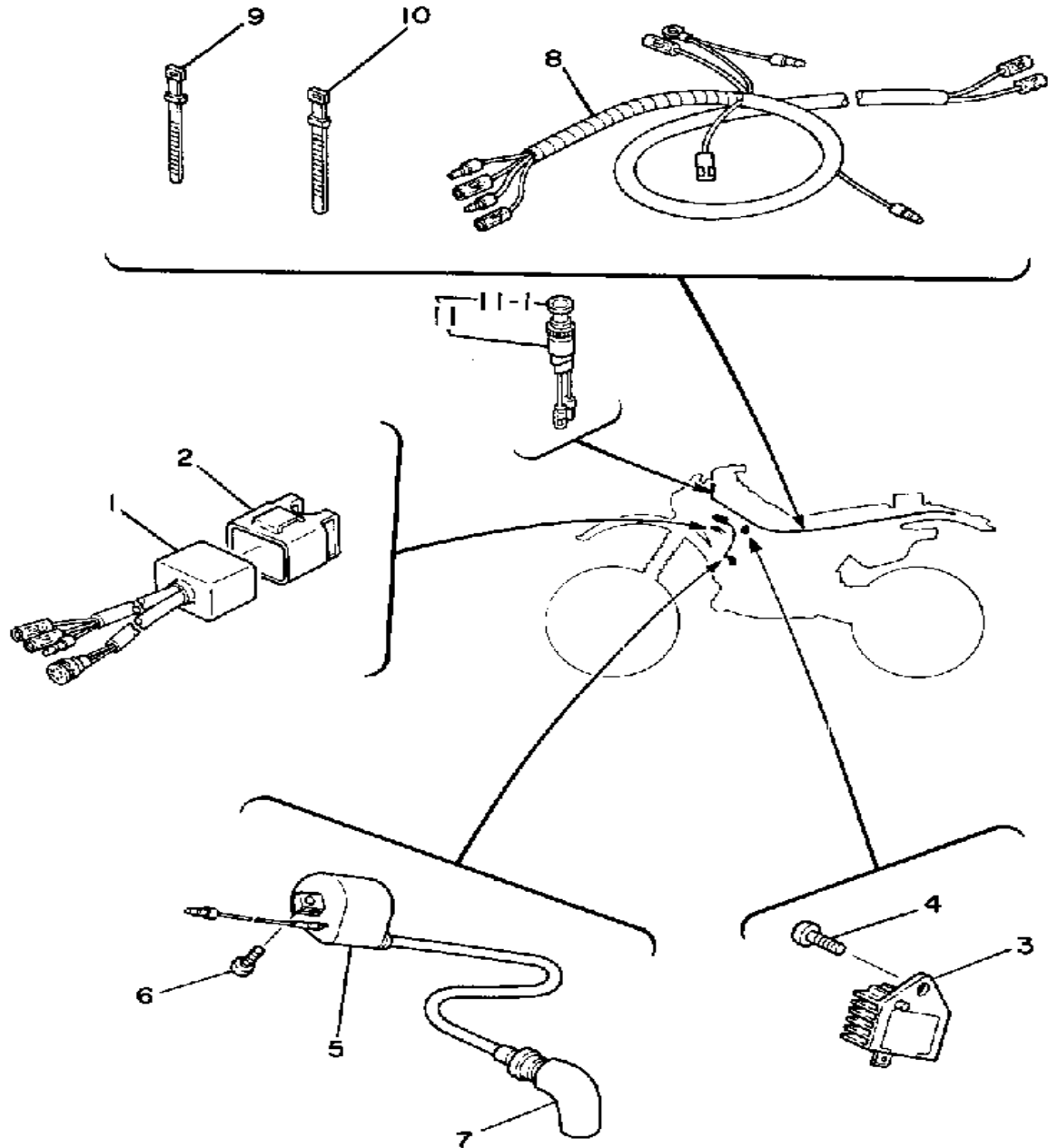
TAILLIGHT



Ref. No.	Part Number	Description	Qty	Remarks
1	4V5-84536-00-00	SOCKET CORD ASSEMBLY ..	1	
2	122-84514-30-00	. BULB	1	
3	26A-84521-00-00	LENS, TAILLIGHT	1	
4	98511-04020-00	SCREW, PAN HEAD	4	
5	437-83936-01-00	BAND, SWITCH CORD	2	
6	34K-21615-00-00	WASHER, SPECIAL 1	1	

43G100-4291

ELECTRICAL 1

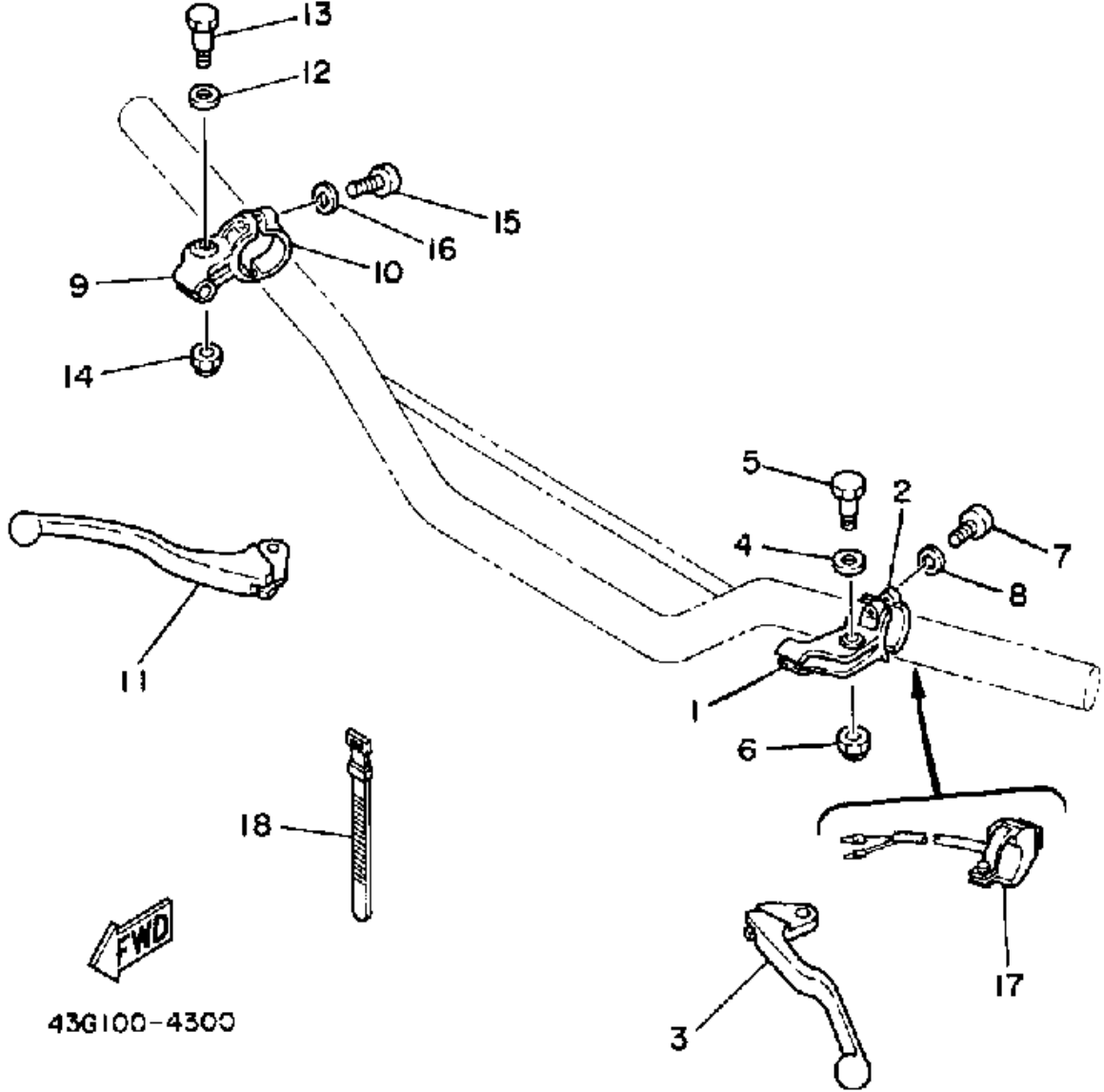


Ref. No.	Part Number	Description	Qty	Remarks
1	23X-85540-20-00	CDI UNIT ASSEMBLY	1	
2	2A7-85546-00-00	BAND	1	
3	4F4-81910-60-00	VOLTAGE REG ASSEMBLY ..	1	U.R.
4	98503-06014-00	SCREW, PAN HEAD (92502-06016)	1	
5	43G-82310-40-00	IGNITION COIL ASSEMBLY ...	1	
6	98503-06014-00	SCREW, PAN HEAD (92502-06016)	2	
7	81E-82370-20-00	PLUG CAP ASSEMBLY	1	U.R.
	81E-82370-20-00	PLUG CAP ASSEMBLY	1	U.R. W/NOISE SUPPRESSOR
8	(43G-82590-00-00)	WIRE HARNESS ASSEMBLY ..	1	
9	25G-83936-01-00	BAND, SWITCH CORD	1	
10	437-83936-01-00	BAND, SWITCH CORD	4	
11	4V5-82520-00-00	LIGHT SWITCH ASSEMBLY ...	1	



43G100-4310

HANDLE SWITCH-LEVER



Ref. No.	Part Number	Description	Qty	Remarks
1	38V-82911-00-00	HOLDER, LEVER 1	1	
2	38V-82913-00-00	HOLDER, LEVER LOWER 1	1	
3	23X-83912-00-00	LEVER 1	1	
4	90201-08083-00	WASHER, PLATE	1	
5	90109-06797-00	BOLT	1	
6	95601-06100-00	NUT, U	1	
7	98506-05018-00	SCREW, PAN HEAD	2	
8	92906-05100-00	WASHER, SPRING	2	
9	38V-82921-00-00	HOLDER, LEVER 2	1	
10	38V-82913-00-00	HOLDER, LEVER LOWER 1	1	
11	23X-83922-00-00	LEVER 2	1	
12	90201-08083-00	WASHER, PLATE	1	
13	90109-06797-00	BOLT	1	
14	95601-06100-00	NUT, U	1	
15	98506-05018-00	SCREW, PAN HEAD	2	
16	92906-05100-00	WASHER, SPRING	2	
17	23X-83976-00-00	SWITCH, HANDLE 1	1	
18	437-83936-11-00	BAND, SWITCH CORD	2	

MOTORCYCLE	DATE 2/15/85
------------	--------------

IT200N 1985 SERVICE DATA

MODEL - IBM I.D. NUMBER	IT200N	43G
Initial Engine Number / Frame Number	43G-007101 / JYA43G00()FA007101	
Fuel Type / Total Fuel Tank Capacity / Reserve Cap.	Premlum / 11.0 Lit (3 gal) / 1.4 Lit (0.4 gal)	
ENGINE TYPE	2-Stroke, Reed Valve	
Bore / Stroke / Number Cylinders / Displacement	66.0mm / 57.0mm / 1 / 195cc	
Compression Ratio/Compression Pressure Min~Max	8.4:1 / NA	
Piston Skirt Clearance New / Max	0.050 ~ 0.055mm / 0.10mm	
Ring End Gap Top / 2nd / 3rd	0.20 ~ 0.35mm / 0.20 ~ 0.35mm / ϕ	
Valve Clearance (Cold) Intake / Exhaust	ϕ	
Oiling System	Premix (24:1 Using Yamalube R*)	
Capacity: Dry	ϕ	
Oil & Filter Change / Oil Change Only	ϕ / ϕ	
Oil Filter Part Number	ϕ	
Lubricant: Temp Above 5°C (40°F)	Yamalube R*	
Temp Below 15°C (60°F)	Yamalube R*	
Cooling System / Capacity / Cap Opening Pressure	Air / ϕ / ϕ	
Coolant Type / Mixing Ratio	ϕ / ϕ	
AUTOLUBE - Min Stroke / Color Code	ϕ	
Minimum Output @ 200 Cycles	ϕ	
Maximum Output @ 200 Cycles	ϕ	
CARBURETOR - Manufacturer / Type / I.D. Number	Mikuni / VM34SS / 43G-10	
Main Jet / Pilot Jet / Pilot Screw (Turns Out)	330 / 70 / 3/4	
Needle Jet / Jet Needle-Clip Position	Q-0 / 6F21-3	
Slide Cutaway	2.0	
Float Level / Fuel Level	23.5 ± 1.0mm / ϕ	
Idle rpm	Rider's Preference	
Max CO _e / Max HC _e / Set CO	ϕ	
SUSPENSION		
Front: Oil Type / Level / Qty	10 wt. Fork Oil* / 178mm / 560cc	
Gas Pressure Min ~ Max / Standard	0 ~ 1.2 kg/cm ² (0~17 psi) / 0.0 kg/cm ² (0 psi)	
Spring Length Standard	459.5mm	
Rear: Gas Pressure Min ~ Max / Standard	12.0 ~ 20.0 kg/cm ² (170 psi ~ 284 psi) / 15.0 kg/cm ² (213 psi)	
Minimum Brake Lining Thickness Front / Rear	2.0mm / 2.0mm	
Tire Size / Nominal Pressure: Front	90/90-21 / (Rider's Preference)	
Rear	120/90-18 / (Rider's Preference)	
TRANSMISSION - Oil Type / Qty Change / Qty Dry	SAE 10W30 SE or SF / 700cc / 800cc	
Secondary Drive Type / Teeth / Chain	Chain / 44-12 / DK520DS106L	
Middle Gear Case Capacity	ϕ	
Final Gear Case Capacity	ϕ	
Gear Case Lubricant	ϕ	

SERVICE COPY	SER MGR	MECH	MECH	MECH	BINDER
OFFICE COPY	GEN MGR	SALES	PARTS	BINDER	PAGE 1 OF 2

CHARGING SYSTEM	ϕ
Battery: Model / Specific Gravity / Charge Rate	ϕ
Maximum Output	ϕ
Field Coil Color Code / Ω	ϕ
Stator Coil Color Code / Ω	ϕ
Charge Coil Color Code / Ω	ϕ

IGNITION SYSTEM	Capacitor Discharge
Ignition Timing	2.25 ~ 2.60mm BTDC
Spark Plug Type	Champion N-86
Spark Plug Gap / Torque / Cap Ω	0.5 ~ 0.6mm / 2.5 m·kg (18 ft·lbs) / 0 Ω
Ignition Coil Test Gap / Primary Ω / Secondary Ω	6mm / 1.0 Ω ± 15% / 5.9K Ω ± 10%
Pulser Coil or Pickup Coil Color Code / Ω	Wht-Red ~ Blk / 12.4 Ω ± 10%
Source Coil Color Code / Ω	Brn ~ Blk / 420 Ω ± 10%

LIGHTING SYSTEM	
Headlight / Taillight / Signal Rating	6V25-25W / 6V5 / ϕ
Lighting Coil Color Code / Ω	Yel-Red ~ Blk / 0.48 Ω ± 10%

TORQUE VALUES	
Front Axle Nut	M14: 6.0 m·kg (43 ft·lbs)
Front Axle Holder Nut	M6: 1.0 m·kg (7.2 ft·lbs)
Rear Axle Nut	M16: 8.5 m·kg (61 ft·lbs)
Rear Axle Pinch Bolt	ϕ
Clutch Nut	8 m·kg (58 ft·lbs)
Drain Plug	M12: 2.0 m·kg (14 ft·lbs)
Flywheel Nut	M12: 8.5 m·kg (61 ft·lbs)
Cylinder Head Cover	ϕ
Cylinder Head:	M8: 2.5 m·kg (18 ft·lbs)
Engine Mounting Bolts:	M8: 3.0 m·kg (22 ft·lbs)
	M10: 6.5 m·kg (47 ft·lbs)

ϕ = Does Not Apply to This Model
NA = Information Not Available

* = Available from YPDI
 ϕ = For Diagnostic Use Only

SERVICE LITERATURE

PUBLICATION	PART NUMBER	REMARKS
Owner's Service Manual	LIT-1162-04-58	Same as IT200L
Assembly Manual	LIT-11666-04-17	

IT200L 1984 SERVICE DATA

MODEL - IBM I.D. NUMBER	IT200L 43G
Initial Engine Number / Frame Number	43G-000101 / JYA43G00()EA000101
Fuel Type / Total Fuel Tank Capacity / Reserve Cap.	Premium / 11.0 Lit / 1.4 Lit

ENGINE TYPE	2-Stroke, Reed Valve
Bore / Stroke / Number Cylinders / Displacement	66.0mm / 57.0mm / 1 / 195cc
Compression Ratio/Compression Pressure Min~Max	8.4:1 / NA
Piston Skirt Clearance New / Max	0.050 ~ 0.055mm / 0.10mm
Ring End Gap Top / 2nd / 3rd	0.20 ~ 0.35mm / 0.20 ~ 0.35mm / ϕ
Valve Clearance (Cold) Intake / Exhaust	ϕ
Oiling System	Premix (24:1 Using Yamalube R*)
Capacity: Dry	ϕ
Oil and Filter Change	ϕ
Oil Change Only	ϕ
Lubricant: Temp Above 5°C (40°F)	Yamalube R*
Temp Below 15°C (60°F)	Yamalube R*
Cooling System / Capacity	Air / ϕ
Coolant Type / Mixing Ratio	ϕ / ϕ

AUTOLUBE - Min Stroke / Color Code	ϕ
Minimum Output @ 200 Cycles	ϕ
Maximum Output @ 200 Cycles	ϕ

CARBURETOR - Manufacturer / Type / I.D. Number	Mikuni / VM34SS / 43G-00
Main Jet / Pilot Jet / Pilot Screw (Turns Out)	330 / 35 / 1.0
Needle Jet / Jet Needle-Clip Position	P-6 / 6F21-3
Slide Cutaway	2.0
Float Level / Fuel Level	23.5 ± 1.0mm / ϕ
Idle rpm	Rider's Preference
Max CO _e / Max HC _e / Set CO	ϕ

SUSPENSION	
Front: Inner Tube Diameter	43mm
Oil Type / Level / Qty	10 Wt. Fork Oil* / 178mm / 560cc
Gas Pressure Min ~ Max / Standard	0 ~ 1.2 kg/cm ² / 0 kg/cm ²
Spring Length Standard	459.5mm
Rear: Gas Pressure Min ~ Max / Standard	12.0 ~ 20.0 kg/cm ² / 15.0 kg/cm ²
Minimum Brake Lining Thickness Front / Rear	2.0mm / 2.0mm
Tire Size (Nominal Pressure) Front / Rear	90/90-21 / 120/90-18 (Rider's Preference)

TRANSMISSION - Oil Type / Qty Change / Qty Dry	SAE 10W30 SE or SF / 700cc / 800cc
Secondary Drive Type / Teeth / Chain	Chain / 44-12 / DK520DS106L
Middle Gear Case Capacity	ϕ
Final Gear Case Capacity	ϕ
Gear Case Lubricant	ϕ

SERVICE COPY	SER MGR	MECH	MECH	MECH	BINDER
OFFICE COPY	GEN MGR	SALES	PARTS	BINDER	PAGE 1 OF 2

CHARGING SYSTEM	ϕ
Battery: Model / Specific Gravity / Charge Rate	ϕ
Maximum Output	ϕ
Field Coil Color Code / Ω	ϕ
Stator Coil Color Code / Ω	ϕ
Charge Coil Color Code / Ω	ϕ

IGNITION SYSTEM	Capacitor Discharge Ignition
Ignition Timing	2.25 ~ 2.60mm BTDC
Spark Plug Type	Champion N-86
Spark Plug Gap / Torque / Cap Ω	0.5 ~ 0.6mm / 2.5 m·kg / 0 Ω
Point Gap / Condenser Capacitance	ϕ
Ignition Coil Test Gap / Primary Ω / Secondary Ω	6mm / 1.0 Ω ± 15% / 5.9K Ω ± 15%
Pulser Coil or Pickup Coil Color Code / Ω	Whi-Red ~ Blk / 12.4 Ω ± 10%
Source Coil Color Code / Ω	Brn ~ Blk / 420 Ω ± 10%

LIGHTING SYSTEM	
Headlight / Taillight / Signal Rating	6V25-25W / 6V5 / ϕ
Lighting Coil Color Code / Ω	Yel-Red ~ Blk / 0.48 Ω ± 10%

TORQUE VALUES	
Front Axle Nut	M14: 6.0 m·kg
Front Axle Holder Nut	M6: 1.0 m·kg
Rear Axle Nut	M16: 8.5 m·kg
Rear Axle Pinch Bolt	ϕ
Clutch Nut	NA
Drain Plug	M12: 2.0 m·kg
Flywheel Nut	M12: 8.5 m·kg
Cylinder Head Cover	ϕ
Cylinder Head:	M8: 2.5 m·kg
Engine Mounting Bolts:	M8: 3.0 m·kg
	M10: 6.5 m·kg

ϕ = Does Not Apply to This Model
NA = Information Not Available

* = Available from YPDI
e = For Diagnostic Use Only

SERVICE LITERATURE

PUBLICATION	PART NUMBER	REMARKS
Owner's Service Manual Assembly Manual	LIT-11626-04-17 LIT-11666-04-17	Supp. to YZ/IT Basic Assembly Manual (03-31)

MOTORCYCLE	DATE 1/20/84	BUL M84-004
------------	--------------	-------------

CHARGING SYSTEM	∅
Battery: Model / Specific Gravity / Charge Rate	∅
Maximum Output	∅
Field Coil Color Code / Ω	∅
Stator Coil Color Code / Ω	∅
Charge Coil Color Code / Ω	∅

IGNITION SYSTEM	Capacitor Discharge Ignition
Ignition Timing	2.25 ~ 2.60mm BTDC
Spark Plug Type	Champion N-86
Spark Plug Gap / Torque / Cap Ω	0.5 ~ 0.6mm / 2.5 m·kg / 0Ω
Point Gap / Condenser Capacitance	∅
Ignition Coil Test Gap / Primary Ω / Secondary Ω	6mm / 1.0Ω ± 15% / 5.9KΩ ± 15%
Pulser Coil or Pickup Coil Color Code / Ω	Wht-Red ~ Blk / 12.4Ω ± 10%
Source Coil Color Code / Ω	Brn ~ Blk / 420Ω ± 10%

LIGHTING SYSTEM	
Headlight / Taillight / Signal Rating	6V25-25W / 6V5 / ∅
Lighting Coil Color Code / Ω	Yel-Red ~ Blk / 0.48Ω ± 10%

TORQUE VALUES	
Front Axle Nut	M14: 6.0 m·kg
Front Axle Holder Nut	M6: 1.0 m·kg
Rear Axle Nut	M16: 8.5 m·kg
Rear Axle Pinch Bolt	∅
Clutch Nut	NA
Drain Plug	M12: 2.0 m·kg
Flywheel Nut	M12: 8.5 m·kg
Cylinder Head Cover	∅
Cylinder Head:	M8: 2.5 m·kg
Engine Mounting Bolts:	M8: 3.0 m·kg
	M10: 6.5 m·kg

∅ = Does Not Apply to This Model
 NA = Information Not Available

* = Available from YPDI
 * = For Diagnostic Use Only

SERVICE LITERATURE

PUBLICATION	PART NUMBER	REMARKS
Owner's Service Manual Assembly Manual	LIT-11626-04-17 LIT-11666-04-17	Supp. to YZ/IT Basic Assembly Manual (03-31)