

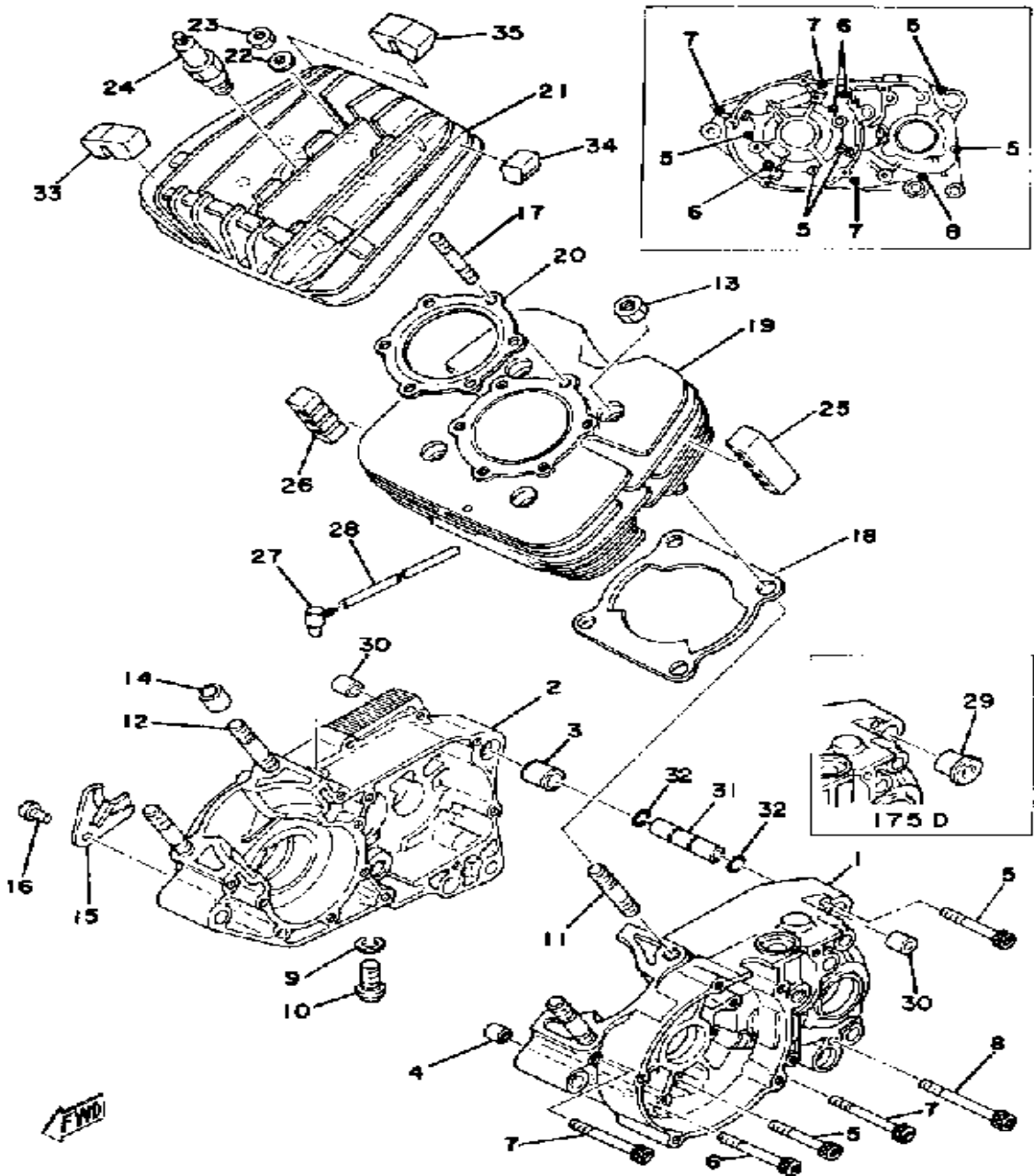
YAMAHA

GENUINE

PARTS CATALOGUE

MOTORCYCLE

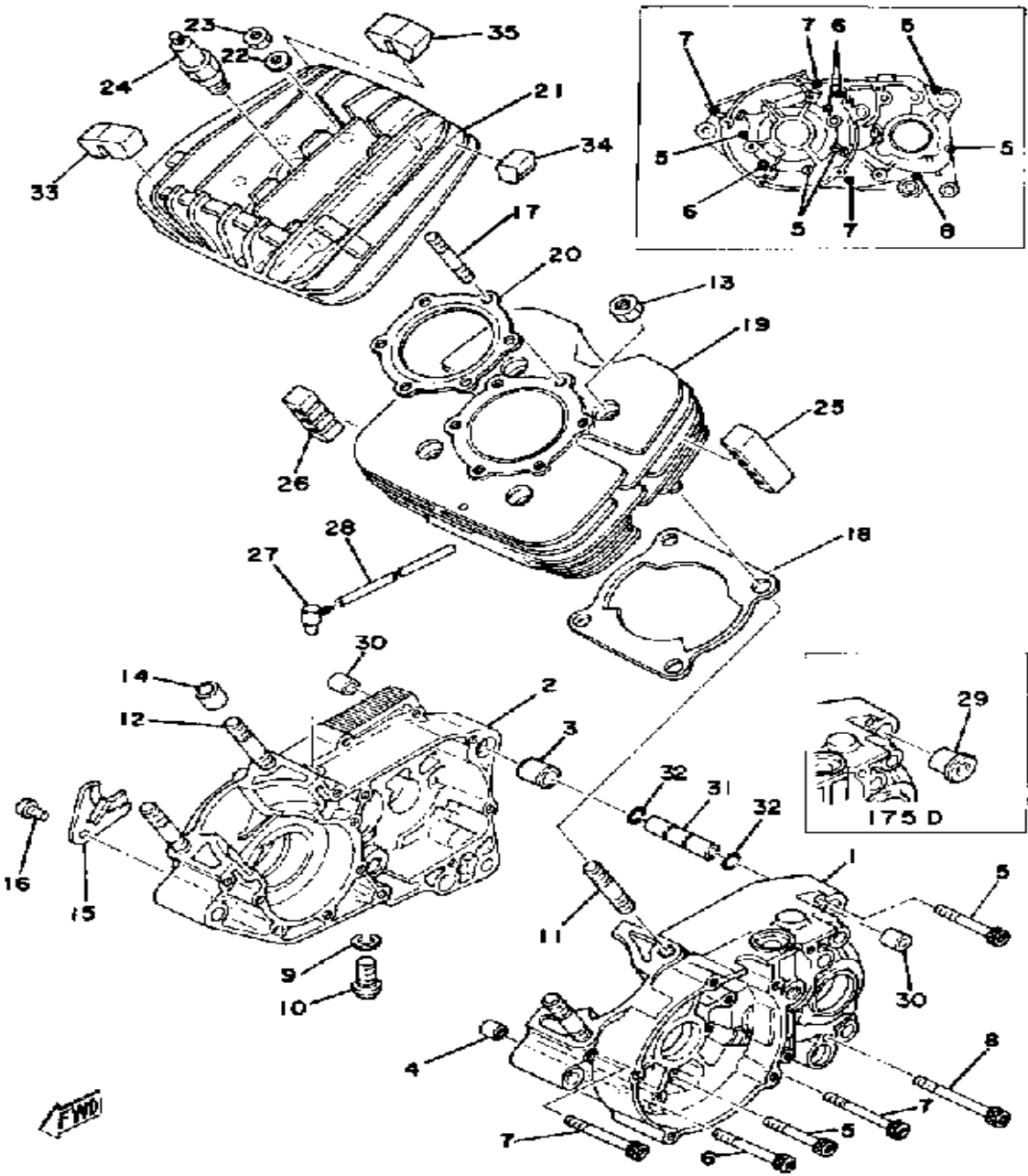
CRANKCASE - CYLINDER



Ref. No.	Part Number	Description	Qty	Remarks
1	1W2-15111-02-00	CRANKCASE 1	1	
2	1W2-15121-02-00	CRANKCASE 2 (1W2-15121-01)	1	
3	99510-20020-00	PIN, DOWEL	1	
4	99530-10014-00	PIN, DOWEL	1	
5	91316-06050-00	BOLT, SOCKET HEAD	5	
6	91316-06060-00	BOLT	3	
7	91316-06070-00	BOLT, SOCKET HEAD	3	
8	91316-06075-00	BOLT, SOCKET HEAD	1	
9	90430-12207-00	GASKET	1	
10	90340-12005-00	PLUG, DRAIN	1	
11	90116-10257-00	BOLT, STUD	2	M10-60L
12	90116-10258-00	BOLT, STUD	2	M10-70L
13	90179-10201-00	NUT	4	
14	99530-14016-00	PIN, DOWEL	2	
15	304-15128-00-00	HOLDER	1	
16	92501-08010-00	SCREW, PAN HEAD	1	
17	90116-08104-00	BOLT, STUD	6	M8-50L
18	3TN-11351-00-00	GASKET, CYLINDER	1	
19	1W2-11311-00-00	CYLINDER 1	1	
20	1W2-11181-00-00	GASKET, CYLINDER HEAD 1	1	
21	1W2-11111-00-00	HEAD, CYLINDER 1	1	
22	90201-08100-00	WASHER, PLATE	6	
23	95333-08600-00	NUT	6	
24	(CMP-N2G00-00-00)	CHAMPION N2G 10PK	1	
25	2A6-11127-00-00	ABSORBER 3	2	
26	2A6-11127-00-00	ABSORBER 3	2	
27	583-15371-00-00	BREATHER	1	
28	90445-07177-00	HOSE (395-14197-00)	1	
29	(1W1-15317-00-00)	SPACER, ENG MOUNT	2	REF. 305 32 W/SET

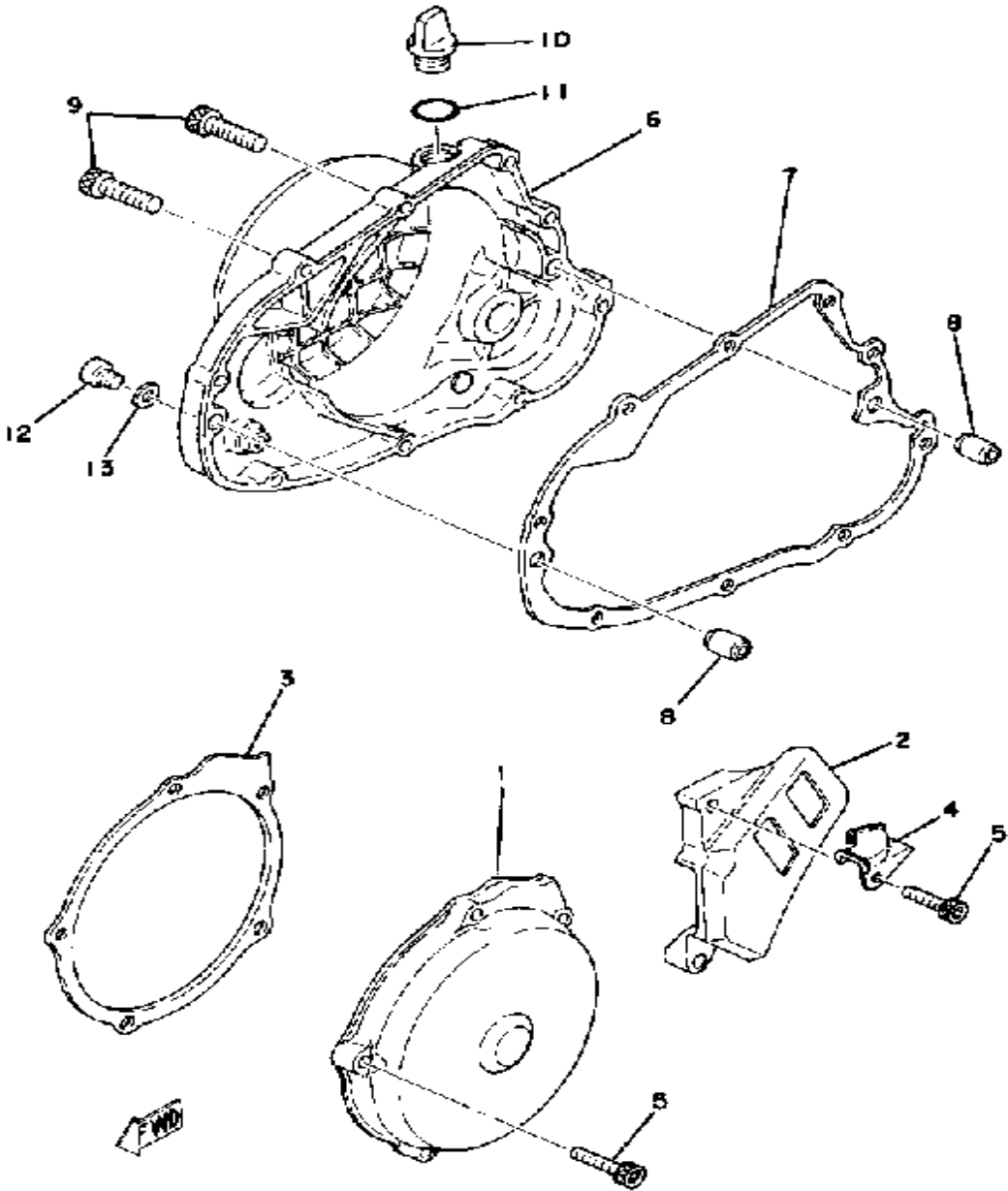
CONTINUED ON NEXT FRAME ➤

CRANKCASE - CYLINDER



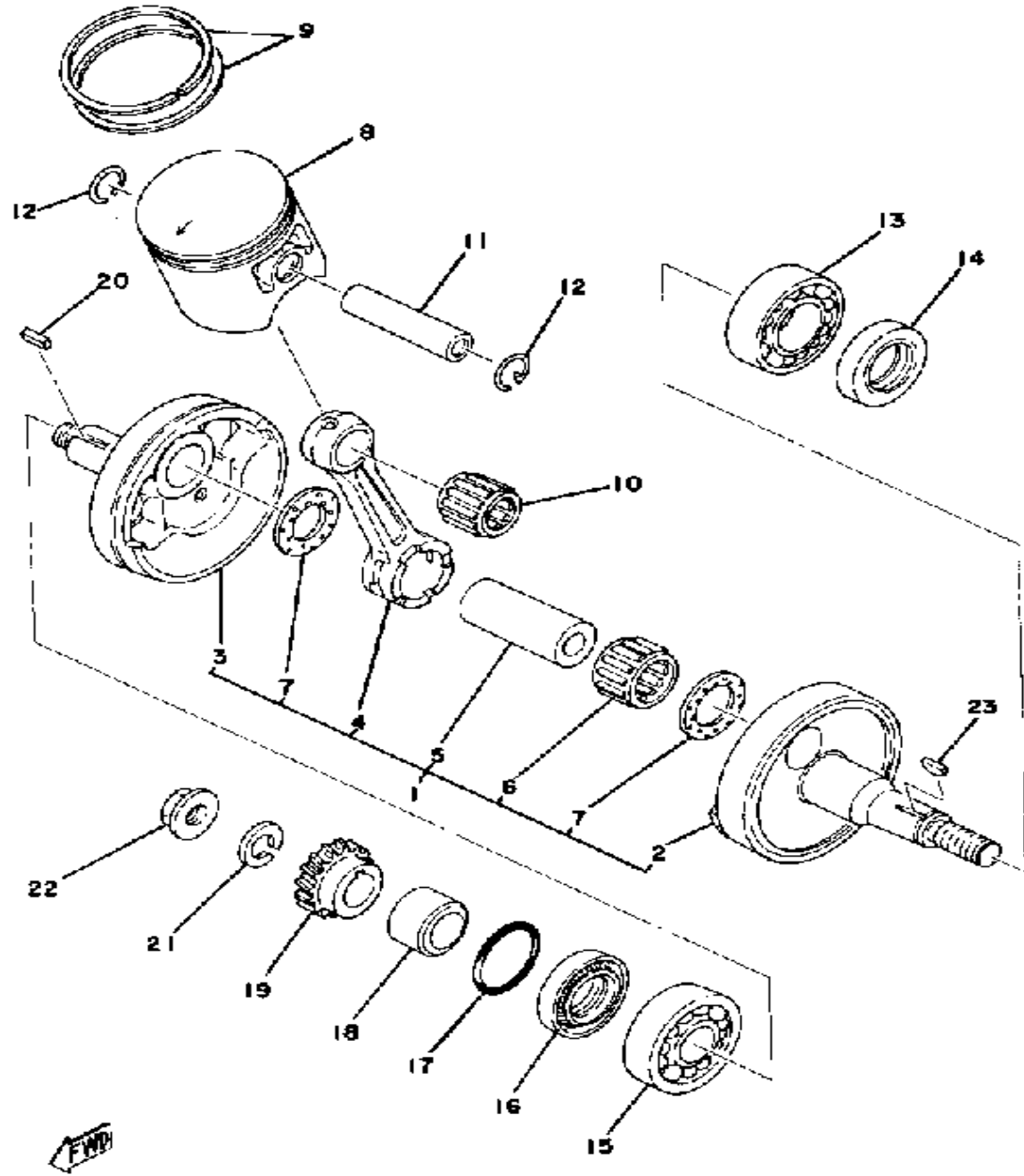
Ref. No.	Part Number	Description	Qty	Remarks
30	328-15316-00-00	DAMPER, ENG MOUNT 1 (328-15316-00)	2	
31	401-15317-00-00	SPACER, ENG MOUNT	2	
32	93210-11073-00	O-RING	2	
33	1W2-11161-00-00	ABSORBER 1	2	
34	(1W2-11162-00-00)	ABSORBER 2	1	
35	(1W2-11127-00-00)	ABSORBER 3	1	

CRANKCASE COVER



Ref. No.	Part Number	Description	Qty	Remarks
1	1W1-15411-00-00	COVER, CRANKCASE L	1	
2	1W1-15421-01-00	COVER, CRANKCASE R	1	
3	1W1-15455-00-00	GASKET 1	1	
4	90465-10119-00	CLAMP	1	
5	90110-06138-00	BOLT, HEX SKT HEAD	7	
6	1W1-15431-00-00	COVER, CRANKCASE 3	1	
7	18G-15451-01-00	GASKET, CRCS. COVER	1	
8	99530-10014-00	PIN, DOWEL	2	
9	90110-06138-00	BOLT, HEX SKT HEAD	9	
10	1G8-15362-00-00	PLUG, OIL LEVEL	1	
11	93210-14104-00	O-RING	1	
12	98506-06008-00	SCREW, PAN HEAD (92506-06008-00)	1	
13	90430-06016-00	GASKET	1	

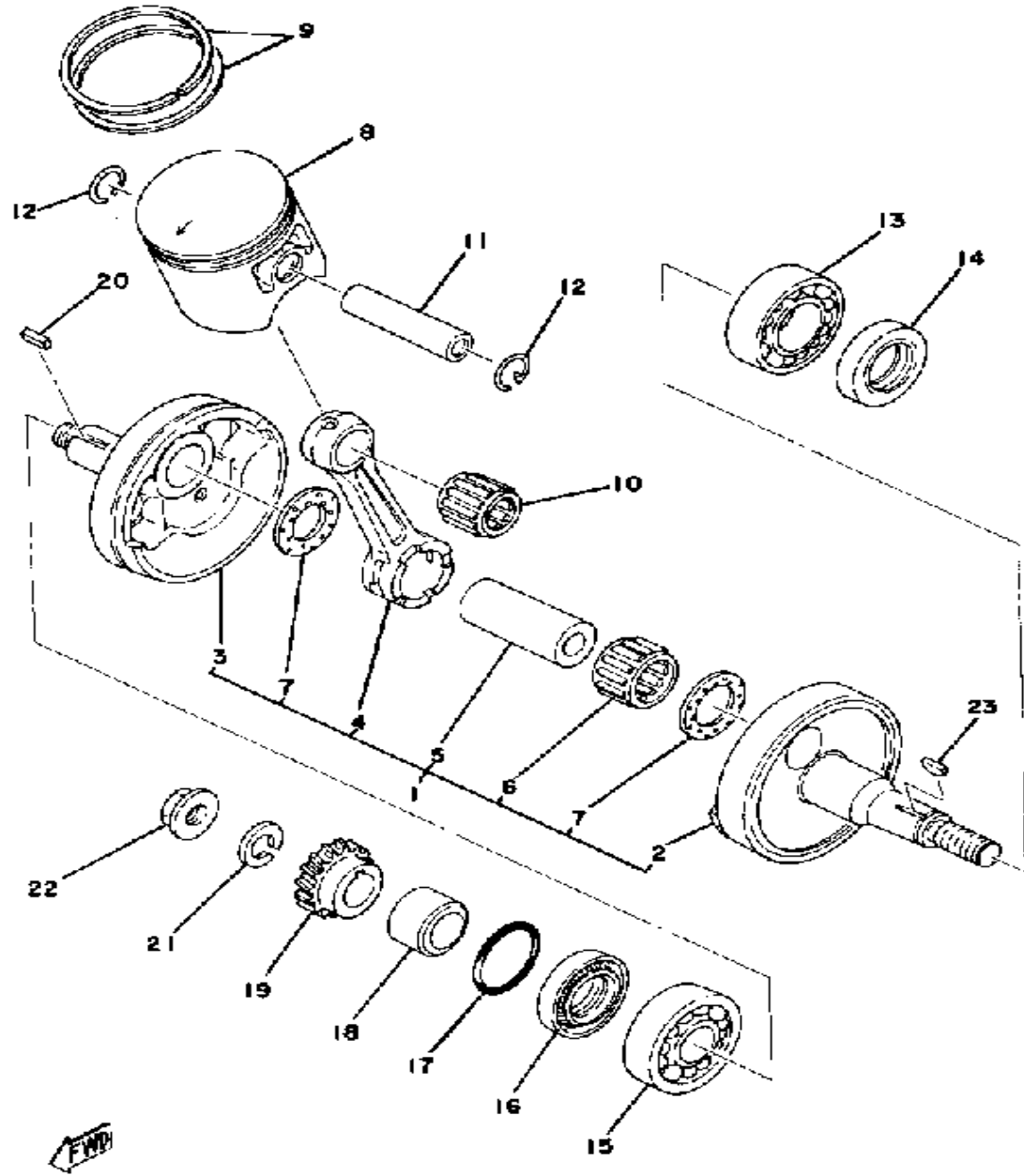
CRANKSHAFT - PISTON



Ref. No.	Part Number	Description	Qty	Remarks
1	2K5-11400-00-00	CRANKSHAFT ASSEMBLY (1W1-11400-01)	1	
2	1W1-11412-01-00	. CRANK 1	1	
3	1W1-11422-01-00	. CRANK 2	1	
4	3R2-11651-01-00	. ROD, CONNECTING	1	
5	3M5-11681-00-00	. PIN, CRANK 1	1	
6	93310-422H0-00	. BEARING, CYLINDER.# 0	1	
7	90209-22248-00	. WASHER	2	
8	1W2-11631-10-96	PISTON STD	1	U.R.
	1W2-11635-10-00	PISTON 1 O/S 0.5	1	ALT. PART
	1W2-11636-10-00	PISTON 2 O/S 0.0	1	ALT. PART
	1W2-11637-10-00	PISTON 3 O/S 0.5	1	ALT. PART
	1W2-11638-10-00	PISTON 4 O.S. 1.0	1	ALT. PART
9	1W2-11610-00-00	PISTON RINGSET STD	1	
	1W2-11610-10-00	PISTON RINGSET 1ST	1	ALT. PART
	1W2-11610-20-00	PISTON RINGSET 2ND	1	ALT. PART
	1W2-11610-30-00	PISTON RINGSET 3RD	1	ALT. PART
	1W2-11610-40-00	PISTON RINGSET 4TH	1	ALT. PART
10	93310-216E1-00	BEARING	1	
11	251-11633-00-00	PIN, PISTON	1	
12	93450-17025-00	CIRCLIP	2	
13	93306-20529-00	BEARING (B6205C4)	1	
14	93103-25125-00	OIL SEAL, SW-TYPE	1	
15	93306-30421-00	BEARING (B6304C3)	1	
16	93103-28011-00	OIL SEAL	1	
17	93210-180A6-00	O-RING	1	
18	90387-20488-00	COLLAR	1	
19	1W1-16111-00-00	GEAR, PRI DRIVE	1	
20	90282-05005-00	KEY, STRAIGHT	1	

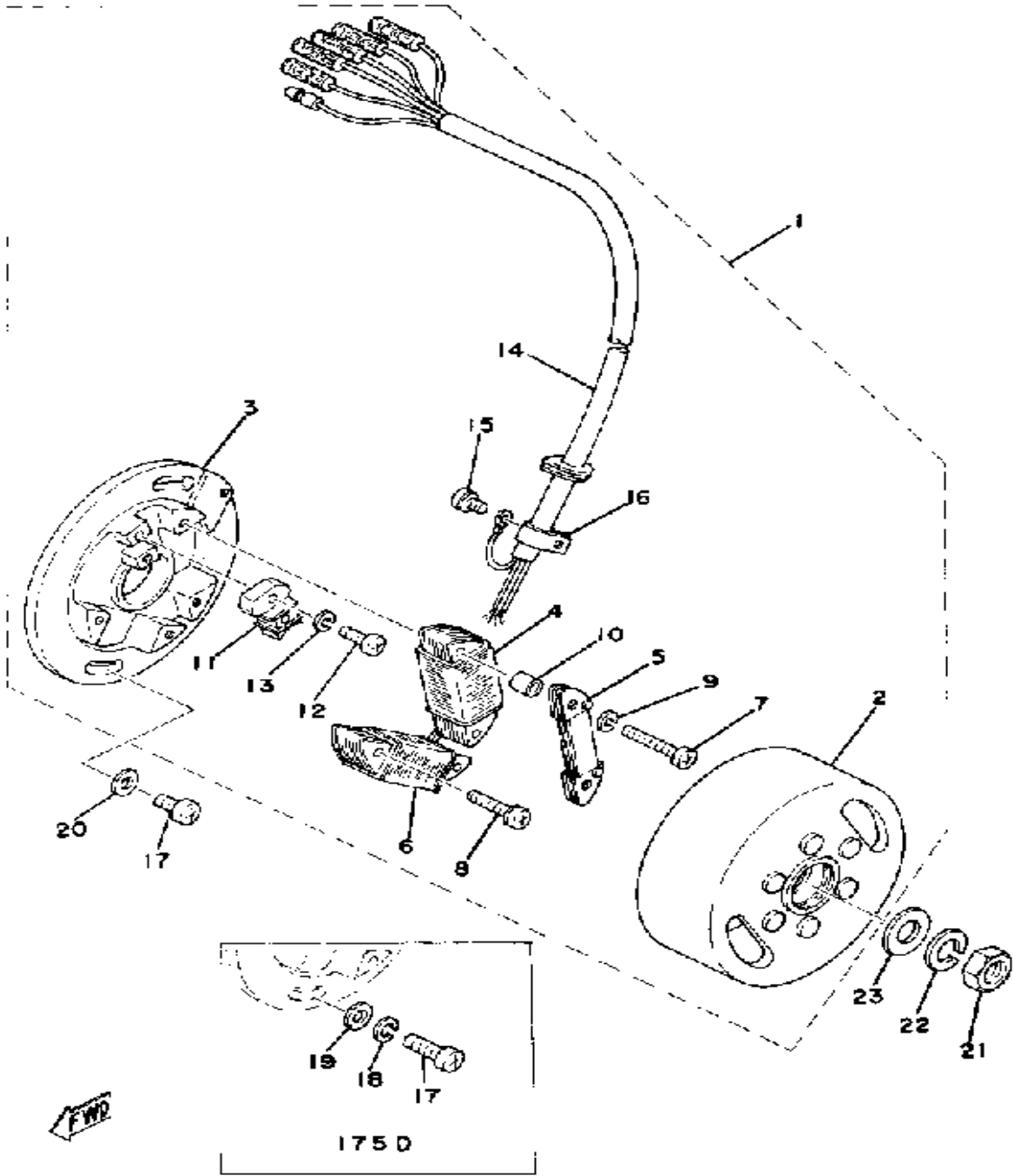
CONTINUED ON NEXT FRAME ►

CRANKSHAFT - PISTON



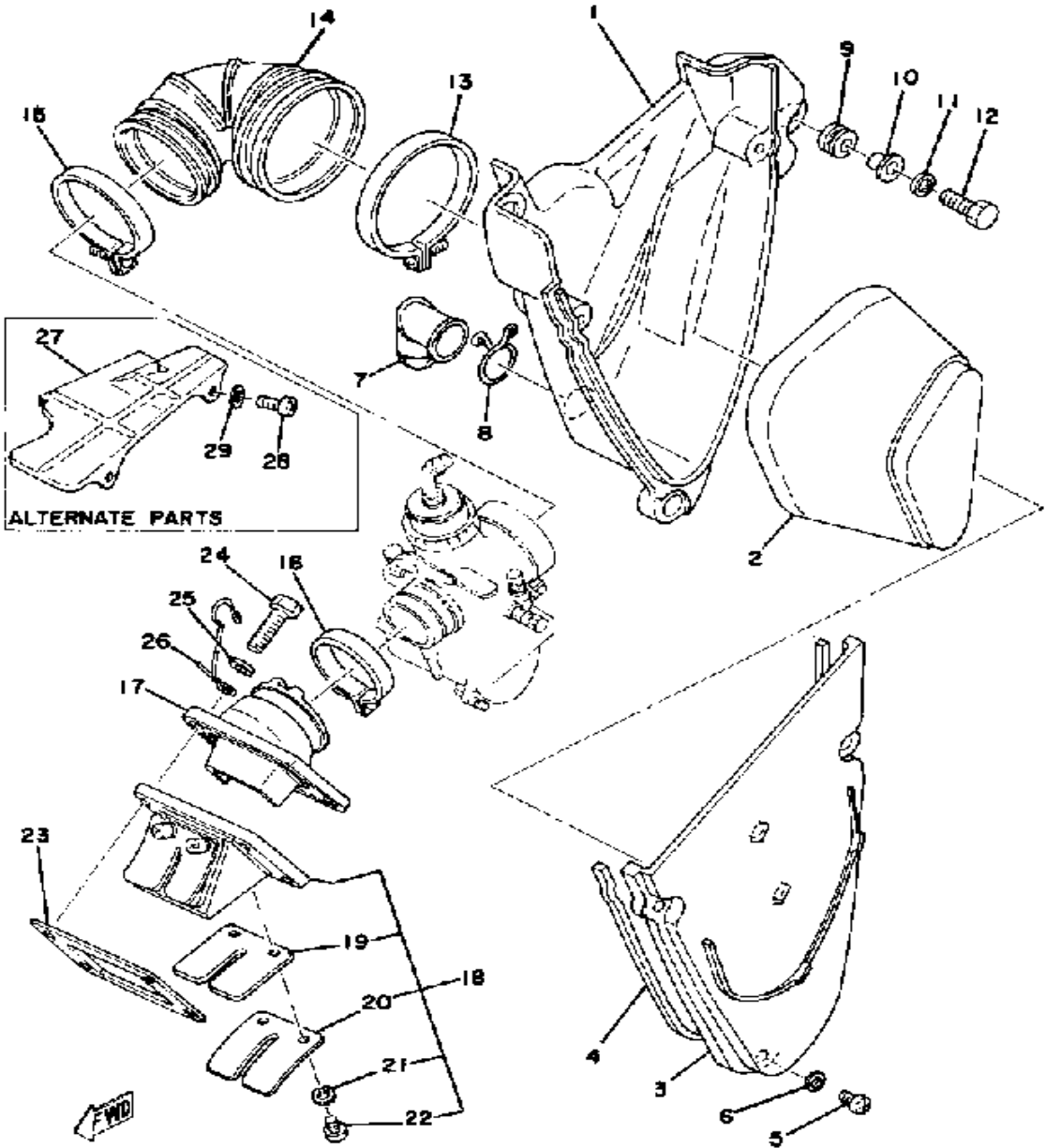
Ref. No.	Part Number	Description	Qty	Remarks
21	90204-12007-00	WASHER, SPRING	1	
22	90179-12244-00	NUT, SPEC'L SHAPE	1	
23	90280-03017-00	KEY, WOODRUFF	1	

C - D - I - MAGNETO



Ref. No.	Part Number	Description	Qty	Remarks
1	(1W2-85500-20-00)	CDI MAGNETO ASSEMBLY ...	1	
2	(1W2-85550-20-00)	ROTOR ASSEMBLY	1	
3	1W2-85509-20-00	. BASE, MAGNETO	1	
4	2A7-85511-20-00	. COIL SOURCE 1	1	
5	1W2-85512-20-00	. COIL SOURCE 2	1	
6	1W2-85513-20-00	. COIL, LIGHTING 1	1	
7	619-81345-20-00	. SCREW, PAN HEAD (811-14125-0)	2	
8	97602-04125-00	. SCREW, PN/HD.W/WSHR (4-25)	2	
9	92901-04100-00	. WASHER, SPRING	2	
10	1W2-85516-20-00	. SPACER	2	
11	1W2-85580-20-00	. COIL, PULSER	1	
12	98503-04014-00	. SCREW, PAN HEAD	2	
13	92901-04100-00	. WASHER, SPRING	2	
14	(1W2-85515-20-00)	LEAD WIRE ASSEMBLY	1	
15	97601-04106-00	. SCREW, PN/HD.W/WSHR ...	1	
16	445-81328-20-00	. CLAMP	1	
17	98503-06014-00	SCREW, PAN HEAD (92502-06016)	2	
	98580-06020-00	SCREW	2	
18	92995-06100-00	WASHER, SPRING	2	
19	90201-06643-00	WASHER, PLATE	2	
20	92901-06600-00	WASHER	2	
21	90170-12347-00	NUT, HEXAGON	1	
22	92901-12100-00	WASHER, SPRING	1	
23	90201-12593-00	WASHER, PLATE	1	

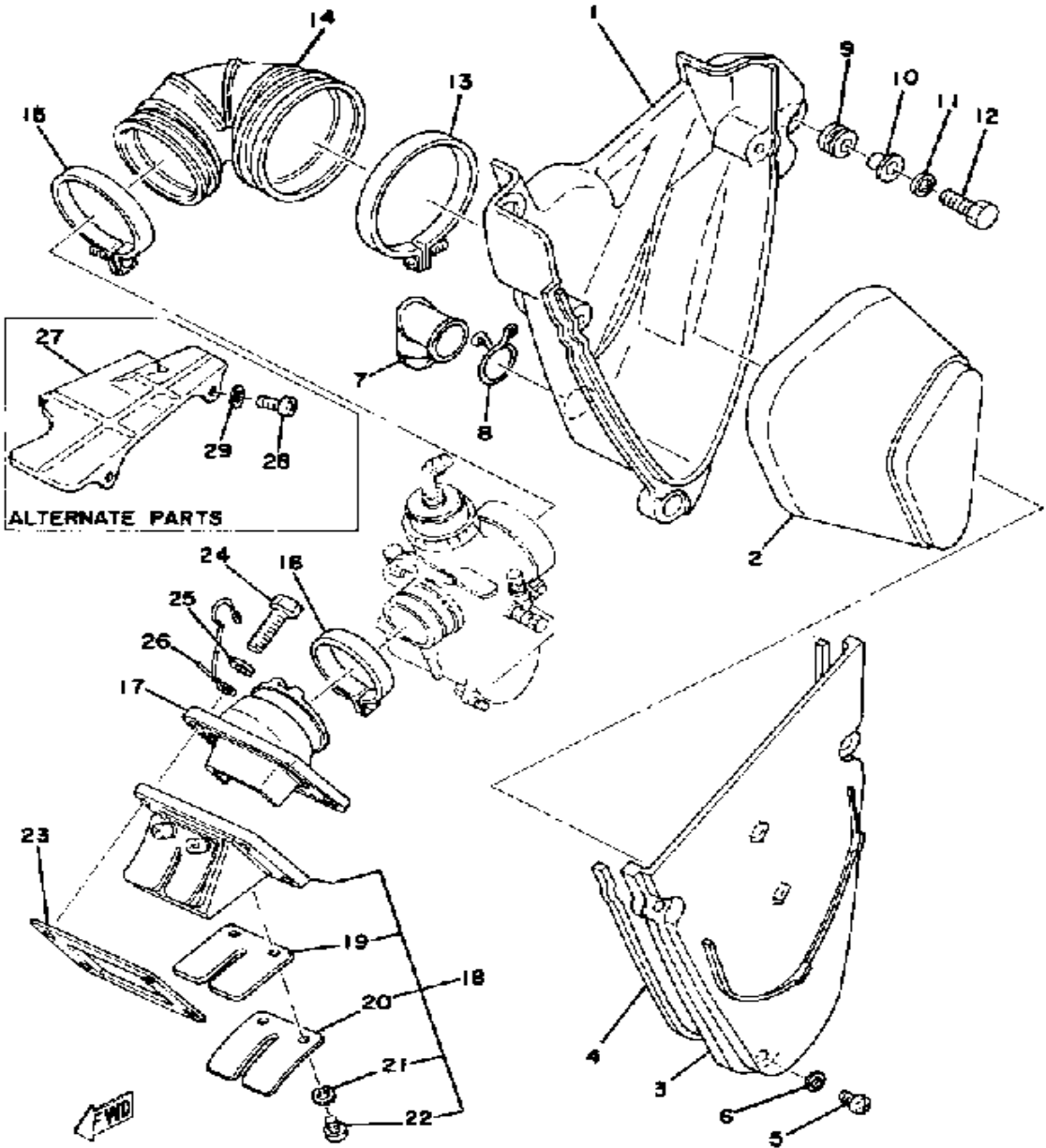
INTAKE



Ref. No.	Part Number	Description	Qty	Remarks
1	(2W6-14411-00-00)	CASE, AIR CLEANER 1	1	
2	1W1-14450-02-00	ELEMENT ASSEMBLY (1W1-14450-01)	1	
3	1W2-14412-02-00	CAP, CLEANER CASE 1	1	
4	3V6-14416-00-00	GASKET, AIR CLEANER	1	
5	98511-06025-00	SCREW PAN HEAD (92501-06025)	3	
6	92901-06600-00	WASHER	3	
7	1W1-14457-01-00	SEAL	1	
8	90467-20030-00	CLIP	1	
9	90480-14023-00	GROMMET	3	
10	90387-07391-00	COLLAR	3	
11	92995-06100-00	WASHER, SPRING	3	
12	97011-06025-00	BOLT (97001-06025)	3	
13	90460-77016-00	CLAMP, HOSE	1	
14	(1W1-14453-00-00)	JOINT, AIR CLNR 1	1	
15	90460-64065-00	CLAMP, HOSE	1	
16	90460-49058-00	CLAMP, HOSE	1	
17	1W1-13565-00-00	JOINT, CARBURETOR	1	
18	10V-13610-01-00	REED VALVE ASSEMBLY (885-13610-00)	1	
19	10V-13613-01-00	. REED, VALVE (1L8-13613-00)	2	
20	1UA-13616-00-00	. STOPPER REED VALVE VALVE (10V-13616-01)	2	
21	92990-03100-00	. WASHER, SPRING (92901-03100)	4	
22	98580-03008-00	. SCREW, PAN HEAD	4	
23	3TT-13621-00-00	GASKET, VALVE SEAT	1	
24	97011-06025-00	BOLT (97001-06025)	4	
25	92901-06600-00	WASHER	4	

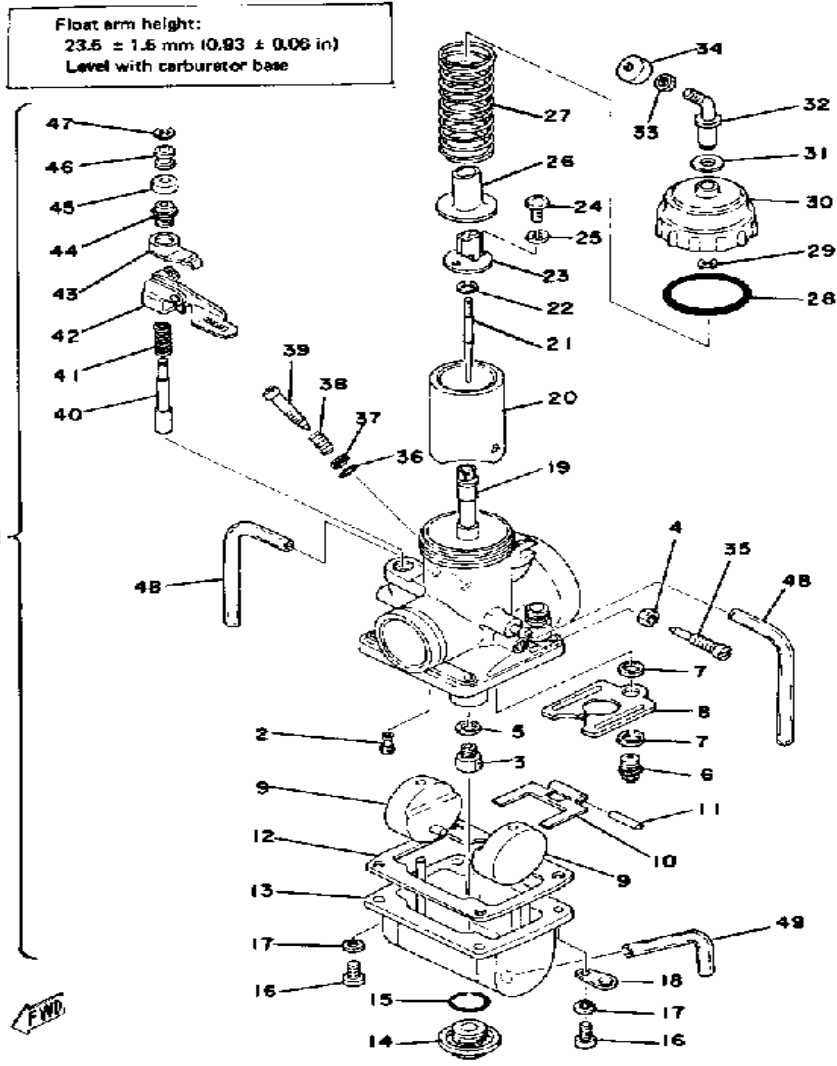
CONTINUED ON NEXT FRAME ➤

INTAKE



Ref. No.	Part Number	Description	Qty	Remarks
26	(90462-20034-00)	CLAMP	1	
27	(1W2-14477-10-00)	PLATE	1	ALT. PART
28	98580-06012-00	SCREW, PAN HEAD	2	ALT. PART
29	92901-06600-00	WASHER	2	ALT. PART

CARBURETOR



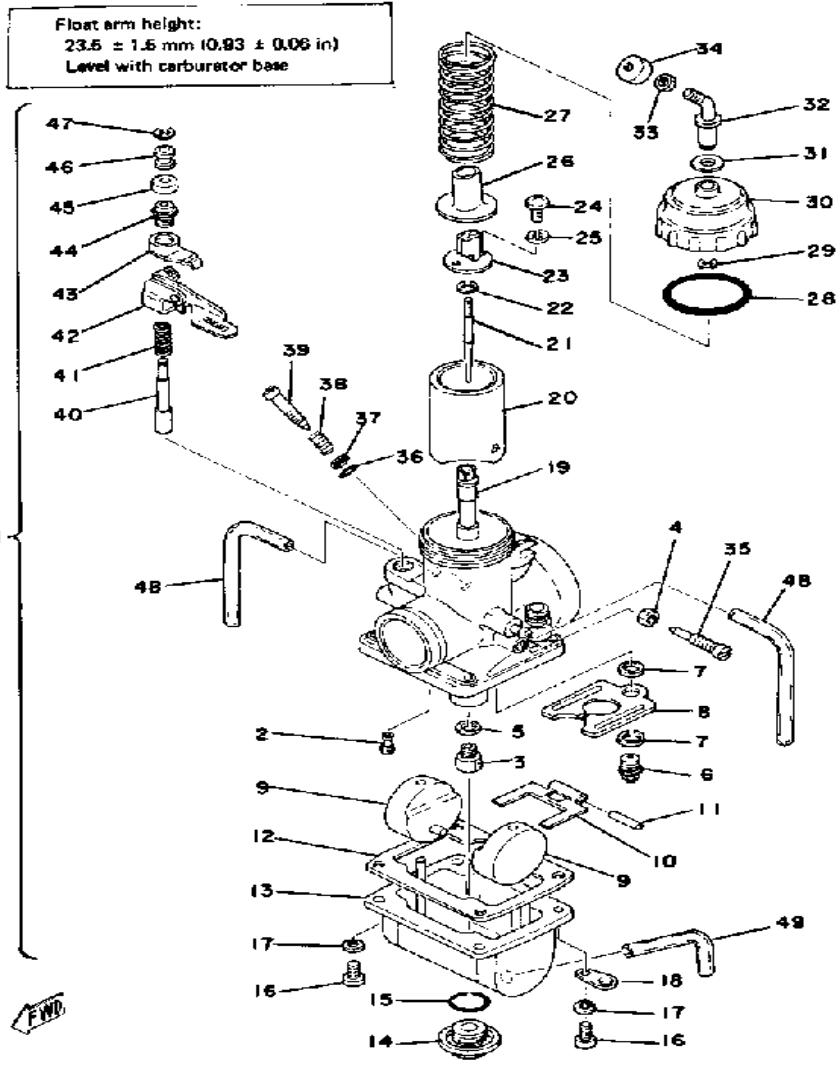
IT175D IT175E

CARBURETOR — mfr./type/I.D. number	Mikuni / VM34SS / 1W2-00
Main Jet/Pilot Jet	360/80
Needle Jet/Jet Needle-Clip Position	P-4 / 6F21-3
Slide Cutaway or Throttle Valve	2.0
Float Level	23.5 ± 1mm
Mixture Screw — turns out/idle rpm	1 1/2 / φ
Pilot Jet	No. 60
Air Jet	2.5
Starter Jet	No. 80

Ref. No.	Part Number	Description	Qty	Remarks
1	(1W2-14101-00-00)	CARBURETOR ASSEMBLY 1	1	
2	193-14142-60-00	. JET, PILOT #60 (60)	1	
3	137-14143-70-00	. JET, MAIN (#350)	1	U.R.
	137-14143-72-00	. JET, MAIN (#360)	1	U.R. STD
	137-14143-74-00	. JET, MAIN (#370)	1	U.R.
4	802-14161-00-00	. NUT, CABLE ADJUSTING	1	
5	(1G8-14153-00-00)	WASHER, MAIN JET	1	
6	24X-14107-33-00	. NEEDLE VALVE SET (#3.3)	1	
7	239-14195-00-00	. WASHER, NEEDLE VALVE	2	
8	483-14146-00-00	. PLATE	1	
9	310-14185-00-00	. FLOAT	2	
10	310-14187-00-00	. ARM, FLOAT	1	
11	127-14186-00-00	. PIN, FLOAT	1	
12	483-14184-00-00	. GASKET, FLOAT CHMBR	1	
13	(310-14181-16-00)	BODY, FLOAT CHMBR 1	1	
14	500-14115-00-00	. PLUG, SCREW	1	
15	558-14147-00-00	. O-RING	1	
16	98580-05016-00	. SCREW, PAN HEAD	4	
17	92990-05100-00	. WASHER, SPRING	4	
18	313-14146-00-00	. PLATE	2	
19	239-14141-44-00	. NOZZLE, MAIN P 4	1	
20	(509-14112-20-00)	VALVE, THROTTLE 1	1	
21	239-14116-21-00	. NEEDLE (6F21-3)	1	
22	164-14137-00-00	. CLIP	1	
23	509-14274-00-00	. CONNECTOR	1	
24	98580-03008-00	. SCREW, PAN HEAD	2	
25	92990-03100-00	. WASHER, SPRING (92901-03100)	2	
26	509-14136-00-00	. SEAT, SPRING	1	

CONTINUED ON NEXT FRAME ➤

CARBURETOR

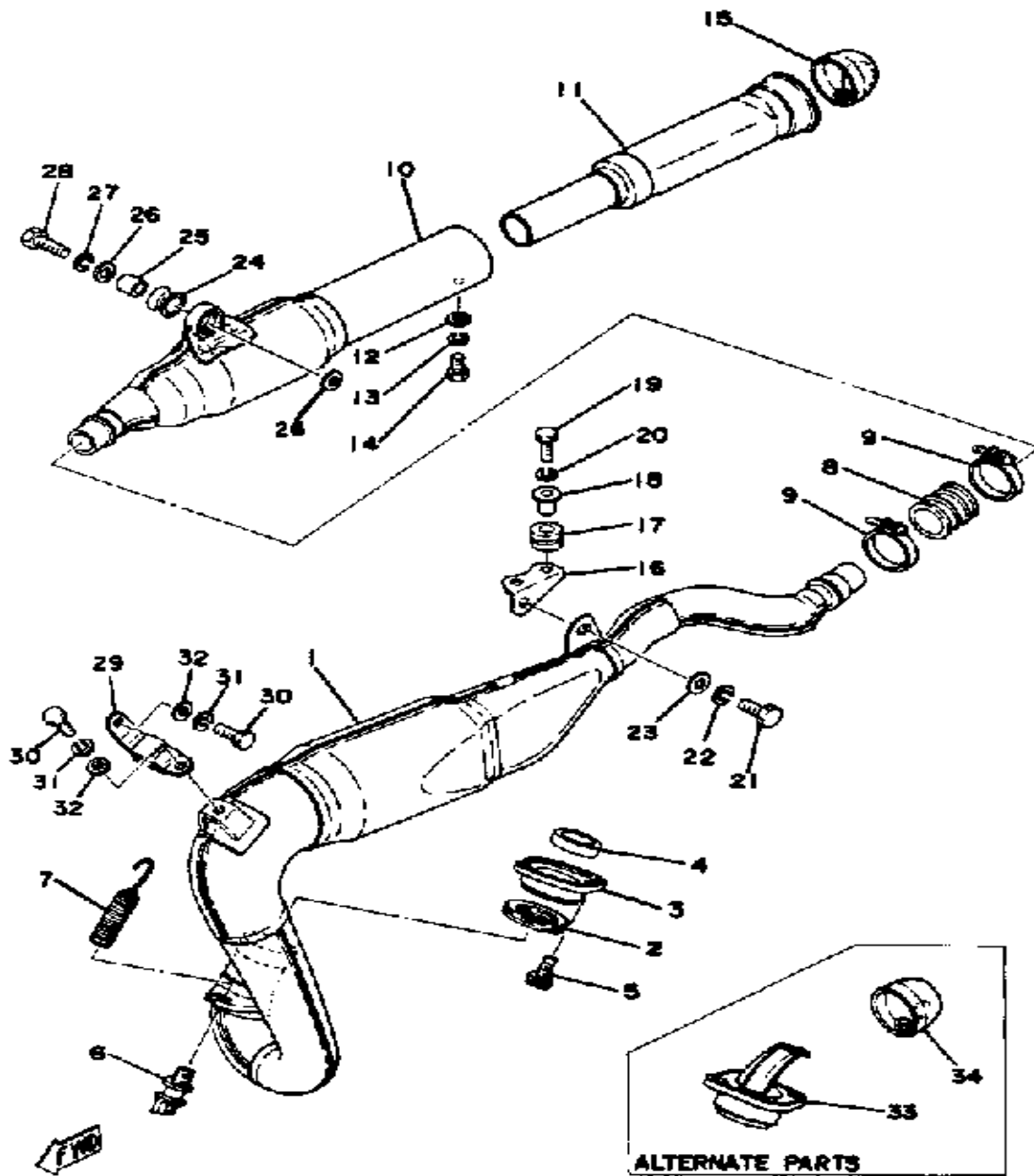


IT175D IT175E

CARBURETOR — mfr./type/I.D. number	Mikuni / VM34SS / 1W2-00
Main Jet/Pilot Jet	360/80
Needle Jet/Jet Needle-Clip Position	P-4 / 6F21-3
Slide Cutaway or Throttle Valve	2.0
Float Level	23.5 ± 1mm
Mixture Screw — turns out/idle rpm	1 1/2 / φ
Pilot Jet	No. 60
Air Jet	2.5
Starter Jet	No. 80

Ref. No.	Part Number	Description	Qty	Remarks
27	363-14131-00-00	. SPRING, THROTTLE VALVE	1	
28	93210-40289-00	. O-RING	1	
29	363-14137-00-00	. CLIP	1	
30	500-14158-00-00	. TOP, MIXING CHAMBER (500-14158-00-33)	1	
31	509-14198-00-00	. GASKET	1	
32	500-14155-00-00	. GUIDE, CABLE	1	
33	127-14161-00-00	. NUT, CABLE ADJUSTING	1	
34	1M1-14169-00-00	. CAP	1	
35	24X-14103-00-00	. THROTTLE SCREW SET	1	
36	812-14147-00-00	. O-RING	1	
37	812-14235-00-00	. WASHER, NEEDLE	1	
38	137-14134-00-00	. SPRING, AIR ADJUSTING	1	
39	1G8-14123-00-00	. SCREW, AIR ADJUSTING	1	
40	1W1-14171-00-00	. PLUNGER, STARTER	1	
41	256-14135-00-00	. SPRING, PLUNGER	1	
42	1W1-14175-01-00	. LEVER, STARTER 1	1	
43	275-14178-00-00	. PLATE, STARTER LVR	1	
44	802-14174-00-00	. CAP, PLUNGER	1	
45	802-14173-00-00	. COVER, PLUNGER CAP	1	
46	583-14918-00-00	. RING	1	
47	737-14137-00-00	. CLIP	1	
48	310-14197-00-00	. PIPE, AIRVENT	2	
49	2J2-14196-00-00	. PIPE	1	

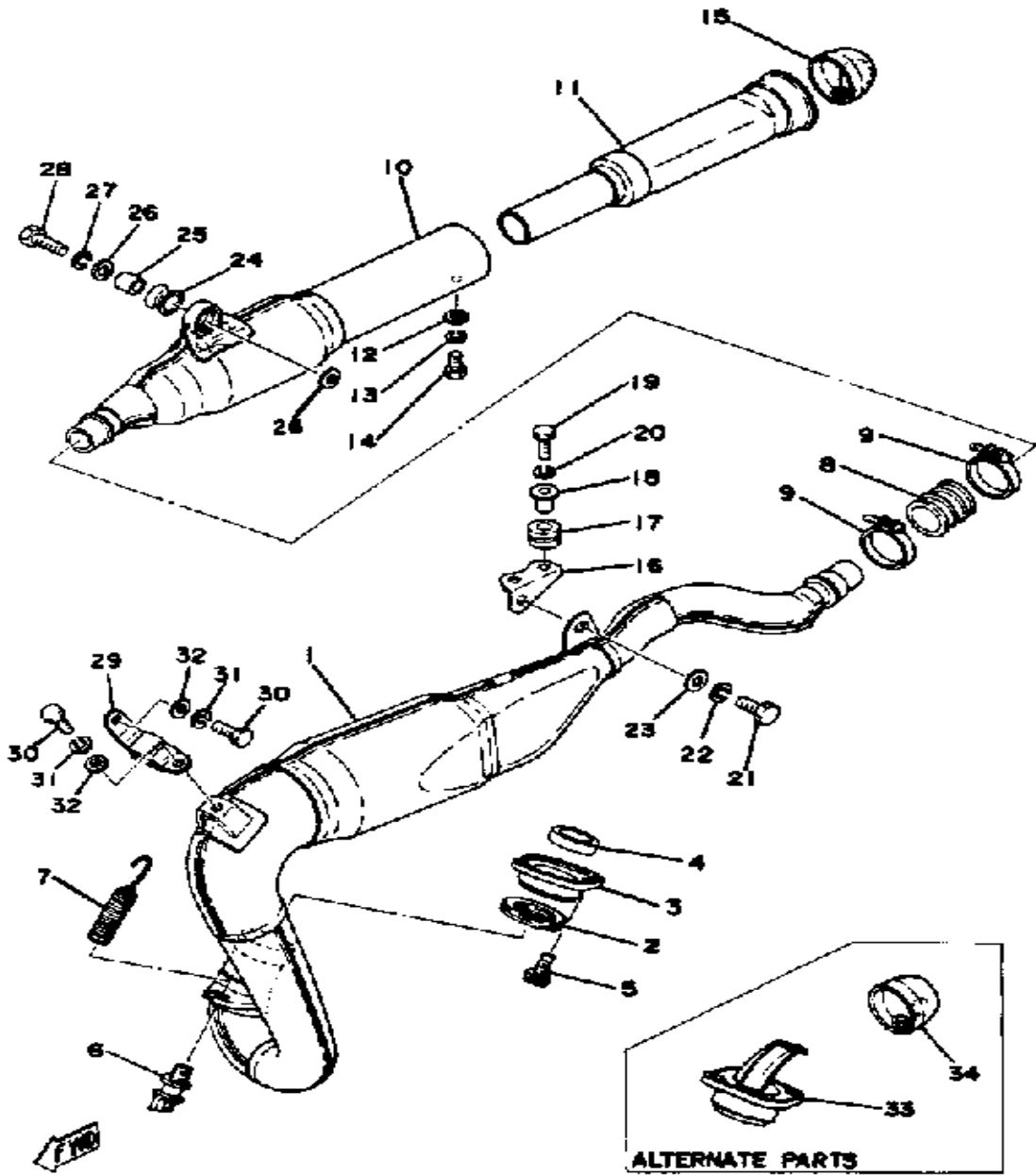
EXHAUST



Ref. No.	Part Number	Description	Qty	Remarks
1	(2W6-14610-00-00)	EXHAUST PIPE ASSEMBLY L	1	
2	248-14623-00-00	GASKET, EXST PIPE	1	
3	(1L8-14612-00-00)	NUT, RING	1	
4	152-14613-00-00	GASKET, EXST PIPE	1	
5	91316-06016-00	BOLT, SOCKET HEAD	2	
6	409-14684-00-00	BOLT, HOOK	1	
7	90507-20012-00	SPRING, TENSION (145-14683-00)	1	
8	1W2-14714-00-00	GASKET, MUFFLER	1	
9	90460-37026-00	CLAMP, HOSE	2	
10	(1W2-14753-00-00)	SILENCER, EXHAUST	1	
11	(1W2-14753-00-00)	SILENCER, EXHAUST	1	
12	92901-06600-00	WASHER	1	
13	92995-06100-00	WASHER, SPRING	1	
14	97013-06012-00	BOLT	1	
15	1W2-14787-00-00	CAP, SILENCER	1	
16	1W2-14771-10-00	STAY, MUFFLER 1	1	
17	90480-14023-00	GROMMET	2	
18	90387-06388-00	COLLAR	2	
19	97011-06025-00	BOLT (97001-06025)	2	
20	92995-06100-00	WASHER, SPRING	2	
21	97313-08018-00	BOLT, HEXAGON (97301-08016)	1	
22	92990-08100-00	WASHER	1	
23	92901-08600-00	WASHER	1	
24	565-14747-00-00	DAMPER, MUFFLER	1	
25	90387-08258-00	COLLAR	1	
26	90201-08753-00	WASHER, PLATE	2	
27	92990-08100-00	WASHER	1	
28	97313-08030-00	BOLT, HEXAGON	1	

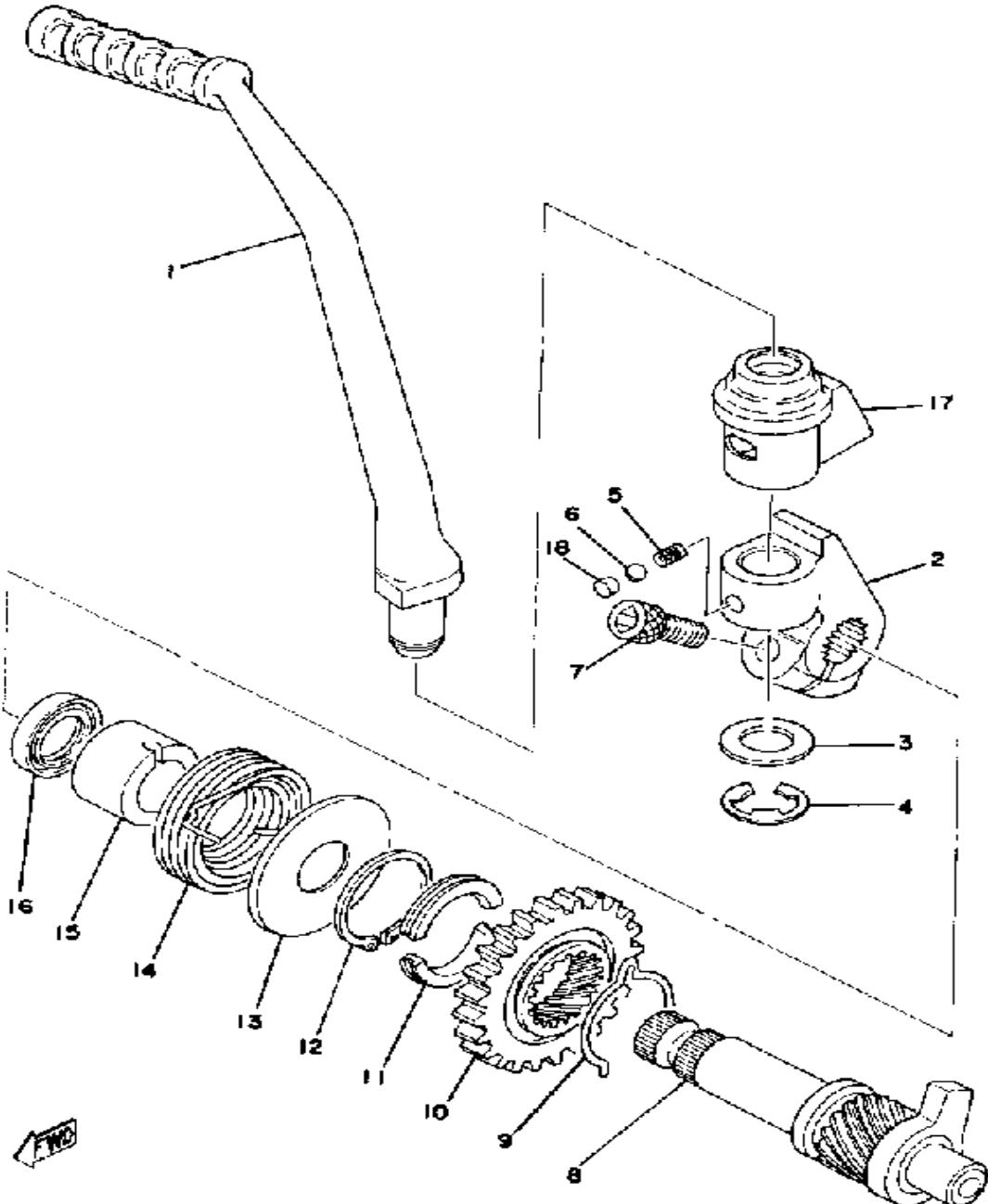
CONTINUED ON NEXT FRAME ►

EXHAUST



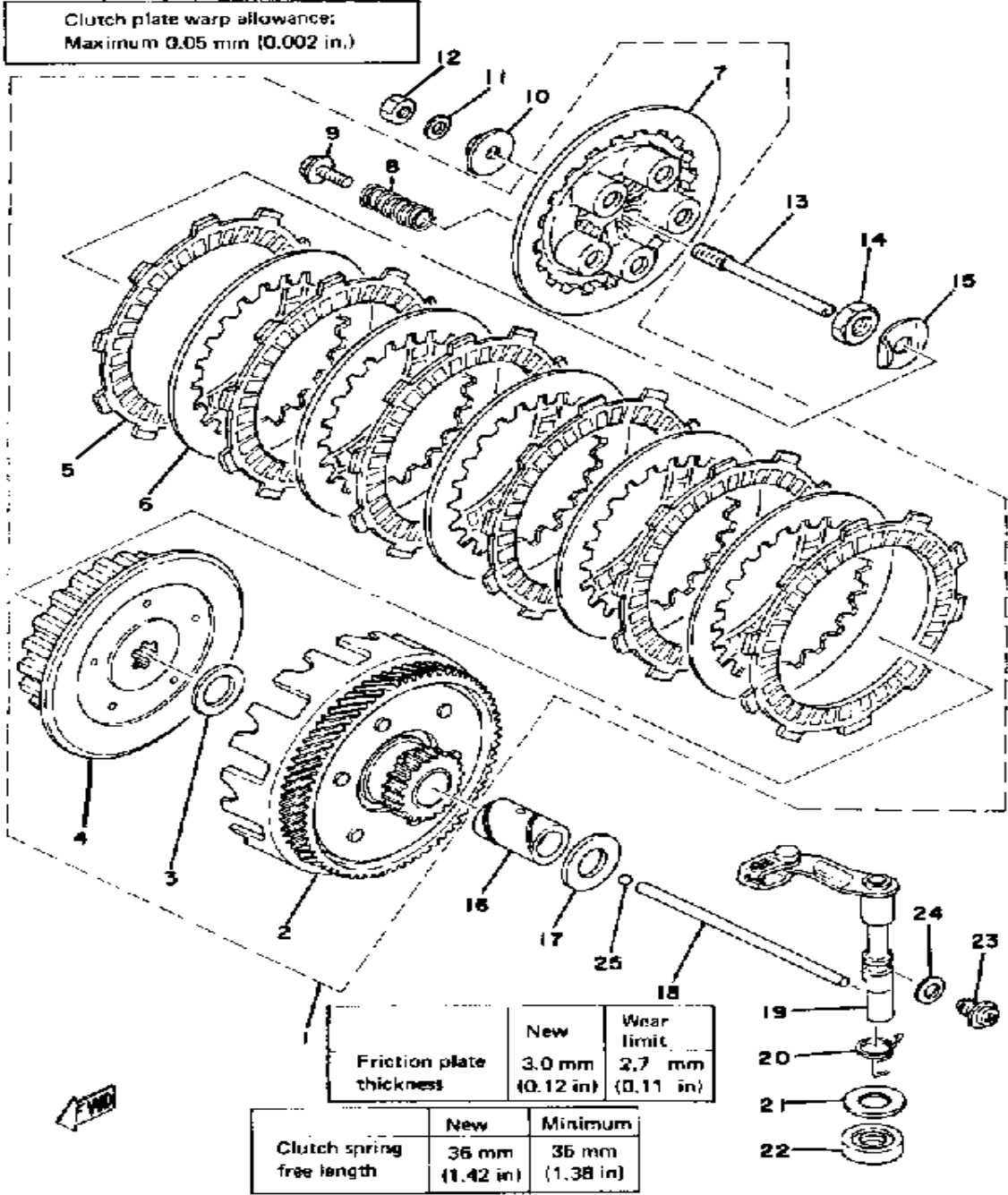
Ref. No.	Part Number	Description	Qty	Remarks
29	1M1-14772-00-00	STAY, MUFFLER 2	1	
30	97011-06016-00	BOLT	2	
31	92995-06100-00	WASHER, SPRING	2	
32	92901-06600-00	WASHER	2	
33	(1W2-14612-10-00)	NUT, RING	1	ALT. PART
34	(1W2-14787-10-00)	CAP, SILENCER	1	ALT. PART

KICK - STARTER



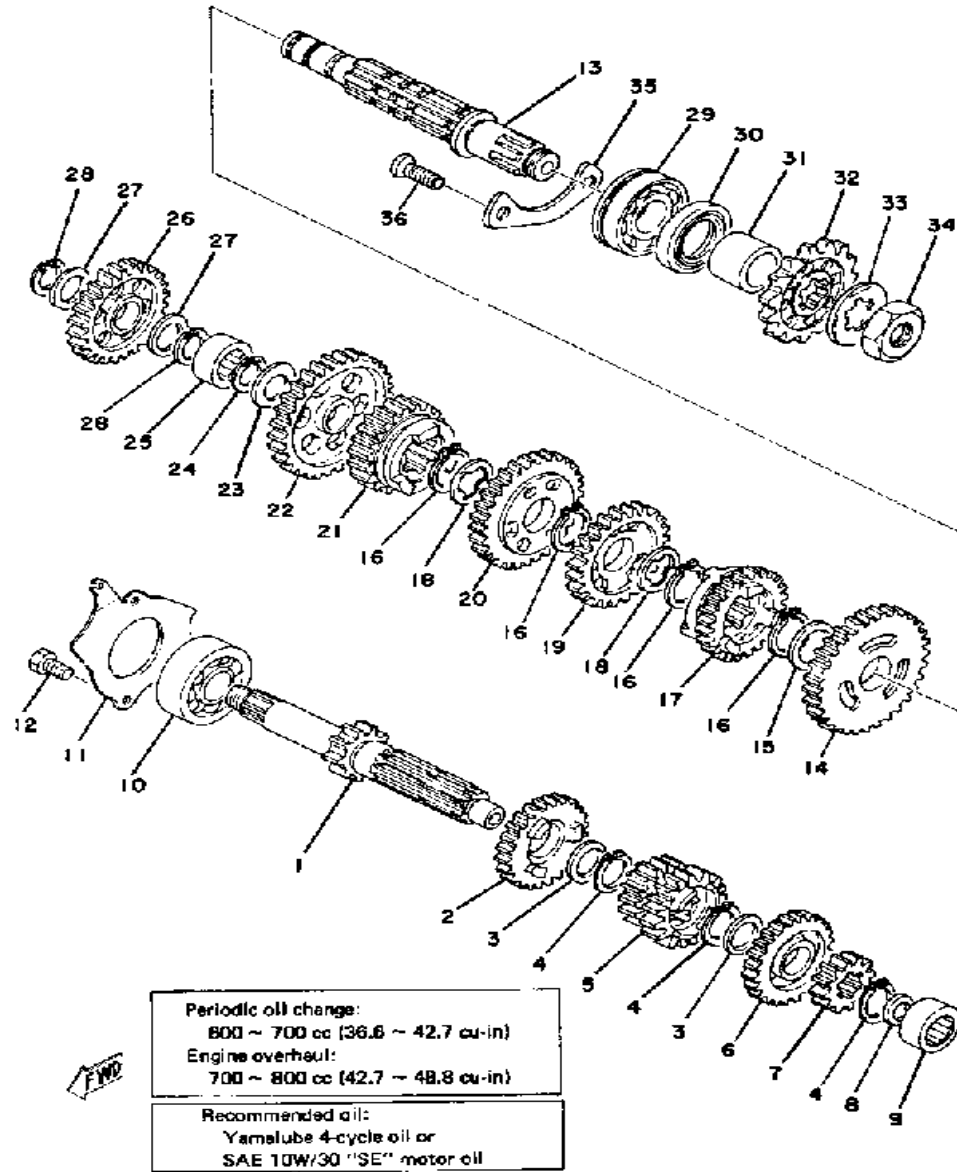
Ref. No.	Part Number	Description	Qty	Remarks
1	1W1-15620-01-00	KICK CRANK ASSEMBLY (1W1-15611-02-33)	1	YAMAHA BLK
2	1W1-15621-01-00	BOSS, KICK CRANK	1	
3	90201-12541-00	WASHER, PLATE	1	
4	93430-08007-00	CIRCLIP	1	
5	90501-10459-00	SPRING, COMPRESSION	1	
6	93503-16010-00	BALL	1	
7	91316-08025-00	BOLT, SOCKET HEAD	1	
8	1W1-15660-00-00	KICK AXLE ASSEMBLY	1	
9	90468-26048-00	CLIP	1	
10	1W1-15641-00-00	GEAR, KICK (27T)	1	
11	248-15654-00-00	HOLDER, KICK GEAR	2	
12	99009-30400-00	CIRCLIP	1	
13	401-15676-00-00	COVER, SPRING	1	
14	90508-26346-00	SPRING, TORSION	1	
15	1W1-15666-00-00	SPACER	1	
16	93101-17062-00	OIL SEAL	1	
17	1W1-15618-01-00	COVER, KICK LEVER	1	
18	90336-06030-00	PLUG, TAPER	1	

CLUTCH



Ref. No.	Part Number	Description	Qty	Remarks
1	(1W1-16301-01-00)	CLUTCH ASSEMBLY	1	
2	1W1-16150-01-00	. PRIMARY DRIVEN GEAR COMP. (71T)	1	
3	90201-174E1-00	. WASHER, PLATE	1	
4	1G8-16371-00-00	. BOSS, CLUTCH	1	
5	537-16321-00-00	. PLATE, FRICTION	6	
6	137-16325-70-00	. PLATE, CLUTCH 2	5	
7	1W1-16351-00-00	. PLATE, PRESSURE 1	1	
8	90501-20361-00	. SPRING, COMPRESSION	5	
9	90159-05011-00	. SCREW, WITH WASHER	5	
10	30X-16358-00-00	PLATE, PUSH	1	
11	92990-06200-00	WASHER	1	
12	95380-06600-00	NUT	1	
13	1W1-16356-02-00	ROD, PUSH 1	1	
14	90170-14171-00	NUT	1	
15	90215-14204-00	WASHER, LOCK	1	
16	90560-17147-00	SPACER	1	
17	90201-174E1-00	WASHER, PLATE	1	
18	1W1-16357-00-00	ROD, PUSH 2	1	
19	(1W1-16380-00-00)	PUSH LEVER ASSEMBLY	1	
20	90508-20345-00	SPRING, TORSION	1	
21	90201-14217-00	WASHER, PLATE	1	
22	93104-14059-00	OIL SEAL, SO-TYPE	1	
23	90149-08108-00	SCREW, SPEC'L SHAPE	1	
24	90430-08069-00	GASKET	1	
25	93503-16010-00	BALL	1	

TRANSMISSION

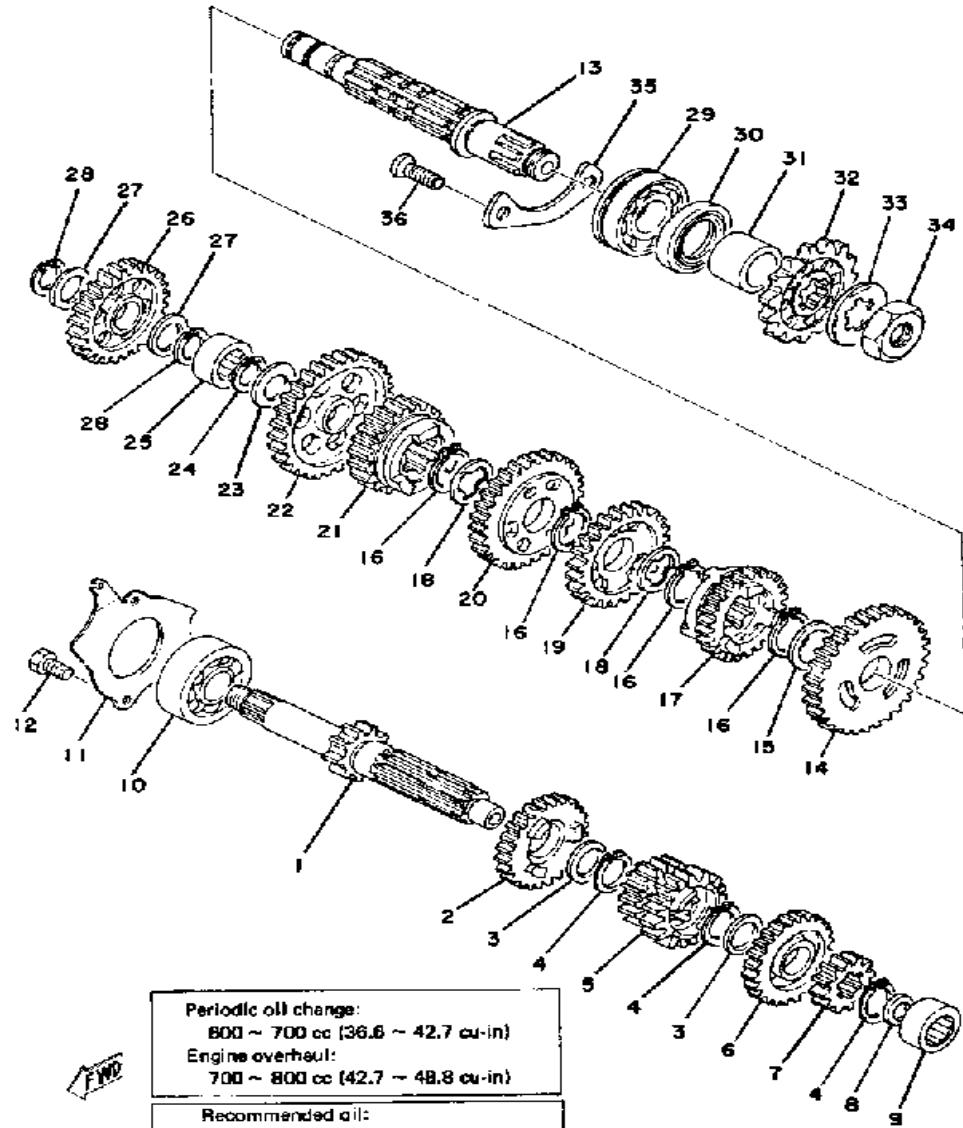


TRANSMISSION — oil type/qty chg/qty reassemble	SAE20W40 (Yamalube 4*) / 600cc / 650cc
Primary drive type	Helical Gear
Secondary type/teeth/chain	Chain / 41-12 / DID520TR · 94L IT175E

Ref. No.	Part Number	Description	Qty	Remarks
1	1W2-17411-00-00	AXLE, MAIN	1	
2	1W2-17151-00-00	GEAR, 5TH PINION	1	
3	90201-20266-00	WASHER, PLATE (1.0T)	2	
4	93410-20038-00	CIRCLIP	3	
5	2W6-17131-01-00	GEAR, 3RD PINION	1	
6	1W2-17161-00-00	GEAR, 6TH PINION	1	
7	1W2-17121-00-00	GEAR, 2ND PINION	1	
8	90201-15701-00	WASHER, PLATE (1.0T)	1	
9	93311-41530-00	BEARING	1	
10	93306-30309-00	BEARING	1	
11	1W1-17471-01-00	PLATE, COVER	1	
12	97013-06012-00	BOLT	2	
13	1W1-17421-00-00	AXLE, DRIVE	1	
14	1W2-17221-01-00	GEAR, 2ND WHEEL	1	
15	90201-22555-00	WASHER, PLATE	1	
16	93410-22039-00	CIRCLIP	4	
17	1W2-17261-00-00	GEAR, 6TH WHEEL	1	
18	90209-18135-00	WASHER	2	
19	1W2-17241-00-00	GEAR, 4TH WHEEL	1	
20	2W6-17231-01-00	GEAR, 3RD WHEEL	1	
21	2W6-17251-01-00	GEAR, 5TH WHEEL	1	
22	1W2-17211-01-00	GEAR, 1ST WHEEL	1	
23	90201-15701-00	WASHER, PLATE (1.0T)	1	
24	93440-15012-00	CIRCLIP	1	
25	93311-31567-00	BEARING, CYLINDRICAL	1	
26	525-15651-00-00	GEAR, KICK IDLE (25T)	1	
27	137-17417-00-05	SHIM 1 (0.5T)	2	
28	93440-15012-00	CIRCLIP	2	
29	93306-30411-00	BEARING (B6304)	1	

CONTINUED ON NEXT FRAME ►

TRANSMISSION

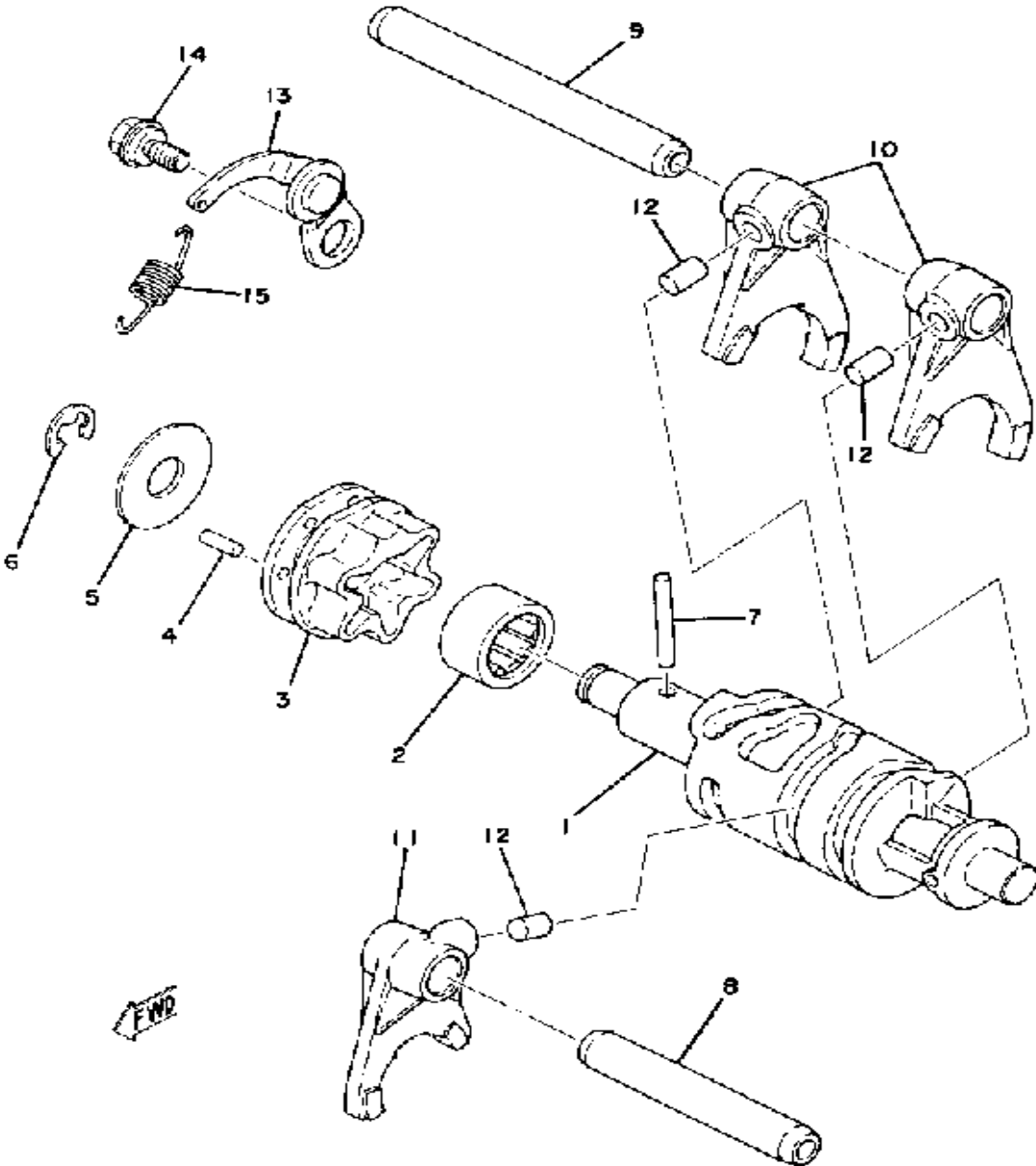


Periodic oil change:
 600 ~ 700 cc (36.6 ~ 42.7 cu-in)
 Engine overhaul:
 700 ~ 800 cc (42.7 ~ 48.8 cu-in)
 Recommended oil:
 Yamalube 4-cycle oil or
 SAE 10W/30 "SE" motor oil

Ref. No.	Part Number	Description	Qty	Remarks
30	93102-26042-00	OIL SEAL	1	
31	90387-205A0-00	UNAVAILABLE IN PRICE BOOK	1	
32	93832-11007-00	SPROCKET, DRIVE 11T	1	U.R.
	93832-12014-00	SPROCKET, DRIVE	1	U.R.
	93832-13027-00	SPROCKET, DRIVE	1	U.R.
33	90215-16127-00	WASHER, LOCK	1	
34	90179-16226-00	NUT	1	
35	1W1-15381-00-00	PLATE, BRNG COVER	1	
36	98603-06012-00	SCREW, OVAL HEAD (92701-06012)	2	

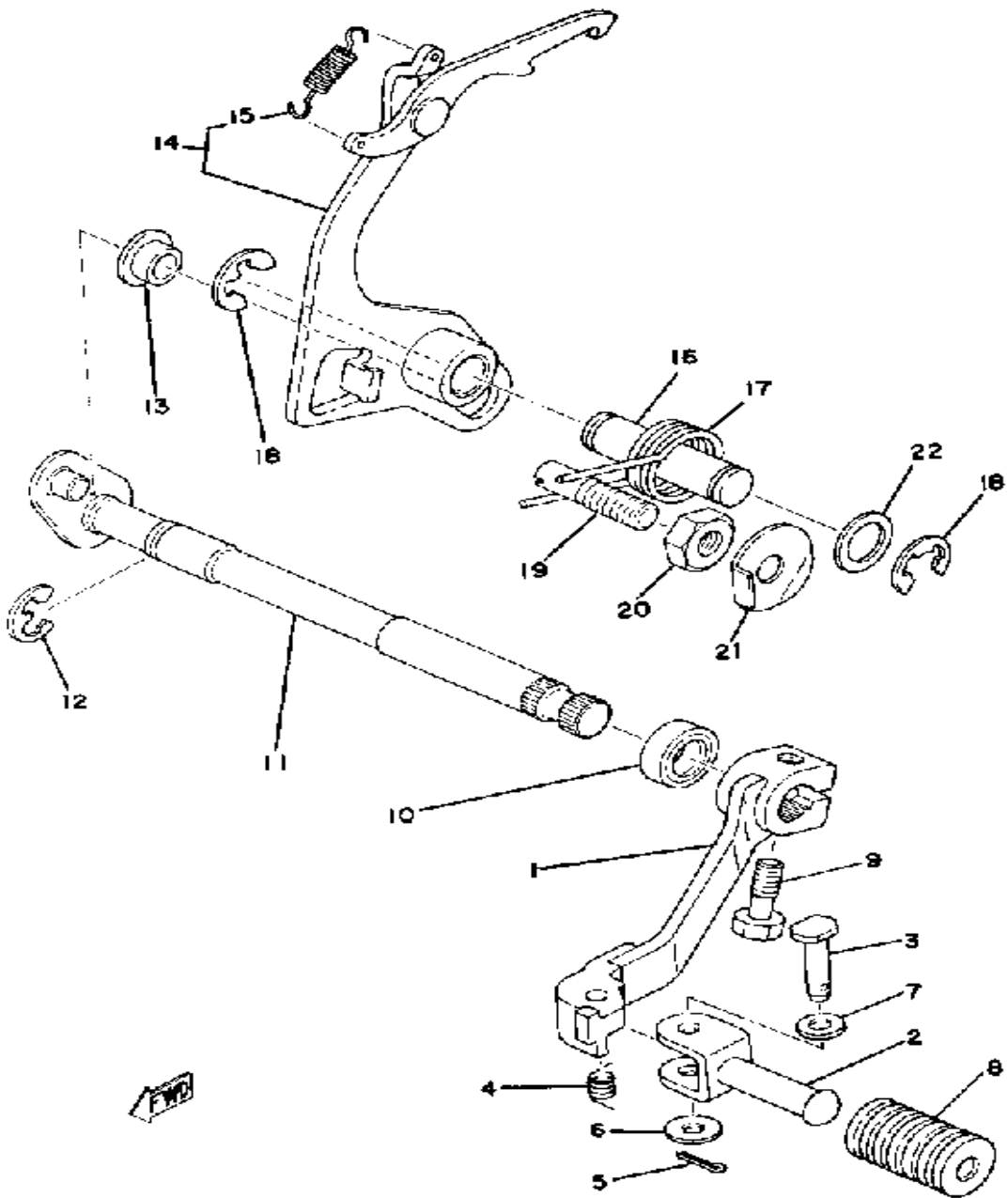
TRANSMISSION — oil type/qty chg/qty reassemble	SAE20W40 (Yamalube 4*) / 600cc / 650cc
Primary drive type	Helical Gear
Secondary type/teeth/chain	Chain / 41-12 / DID520TR · 94L IT175E

SHIFTER 1



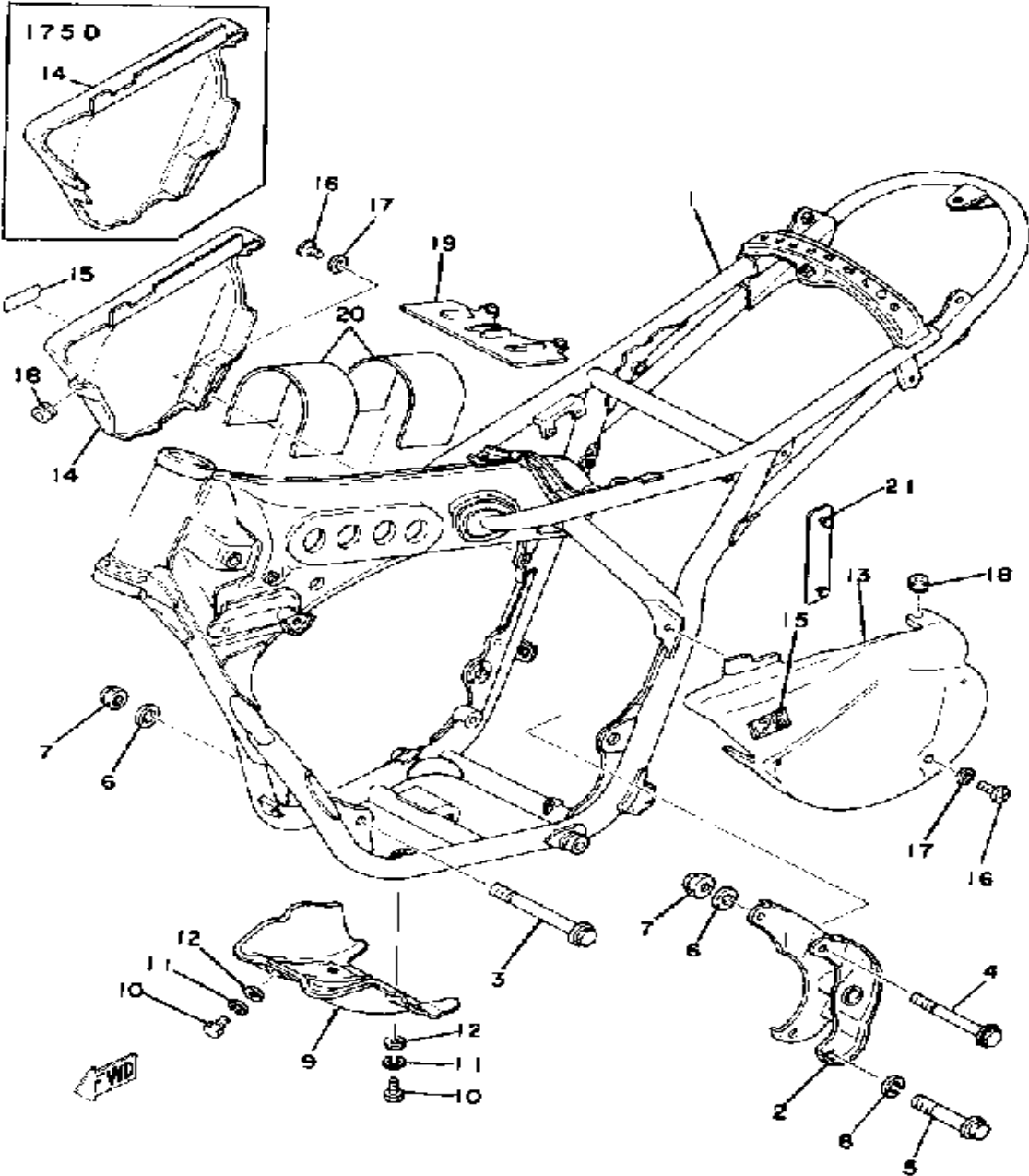
Ref. No.	Part Number	Description	Qty	Remarks
1	1W1-18540-00-00	SHIFT CAM ASSEMBLY	1	
2	93315-21813-00	BEARING	1	
3	1W1-18185-00-00	SEGMENT	1	
4	93604-12037-00	PIN, DOWEL	6	
5	1W1-18561-00-00	PLATE, SIDE 1	1	
6	99001-08600-00	CIRCLIP	1	
7	93604-30018-00	PIN, DOWEL	1	
8	2A6-18531-00-00	BAR, SHIFT FORK GUIDE 1 ...	1	
9	2A6-18535-00-00	BAR, SHIF FRK GDE 2	1	
10	1W1-18511-01-00	FORK, SHIFT 1	2	
11	2A6-18512-00-00	FORK, SHIFT 2	1	
12	90250-06013-00	PIN, STRAIGHT	3	
13	1W1-18140-00-00	STOPPER LEVER ASSEMBLY .	1	
14	50W-21631-00-00	BOLT 1	1	
15	90506-09156-00	SPRING, TENSION	1	

SHIFTER 2



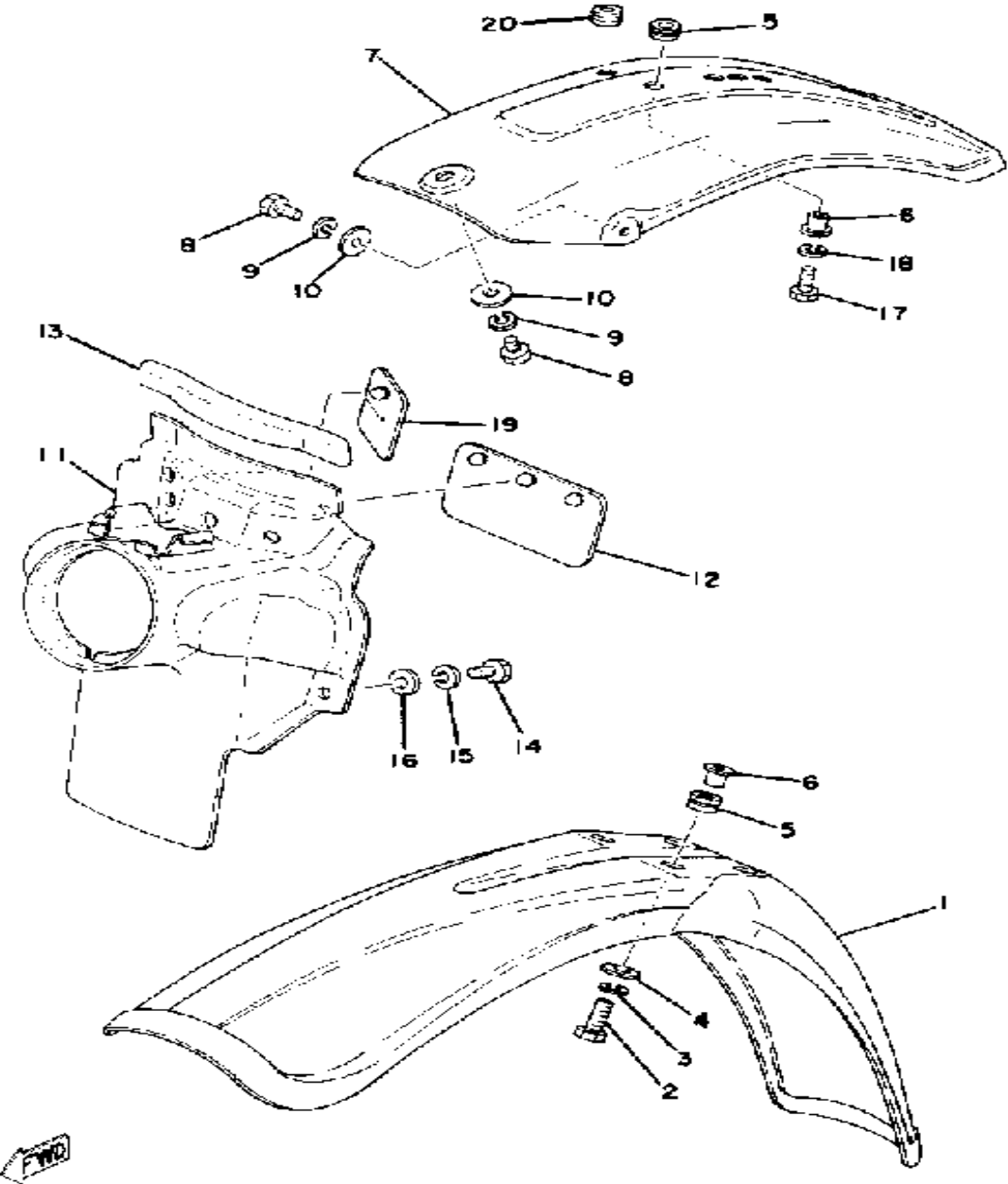
Ref. No.	Part Number	Description	Qty	Remarks
1	2HF-18110-01-00	SHIFT PEDAL ASSEMBLY	1	YAMAHA BLK
2	1W6-18162-00-00	PEDAL, SHIFT	1	
3	90240-06057-00	PIN, CLEVIS	1	
4	90508-16351-00	SPRING, TORSION	1	
5	91490-20020-00	PIN, COTTER	1	
6	92990-06200-00	WASHER	1	
7	92901-06600-00	WASHER	1	
8	1W6-18113-00-00	COVER, SHIFT PEDAL	1	
9	97011-06020-00	BOLT	1	
10	93101-12060-00	OIL SEAL	1	
11	1W1-18101-03-00	. SHIFT SHAFT ASSEMBLY 1	1	
	99006-10600-00	. CIRCLIP	1	
	99999-01086-00	CHANGE SHAFT1W101 (1W1-18101-01)	1	
12	1W1-18136-00-00	CLIP, SHIFT SHAFT	1	
13	401-18178-00-00	ROLLER, SHIFT LEVER	1	
14	4F2-18120-00-00	SHIFT LEVER ASSEMBLY (2A6-18120-00)	1	
15	90506-08155-00	. SPRING, TENSION	1	
16	1W1-18197-01-00	SHAFT	1	
17	90508-32349-00	SPRING, TORSION	1	
18	99006-10600-00	CIRCLIP	2	
19	90149-08111-00	SCREW, SPEC'L SHAPE	1	
20	90170-08029-00	NUT	1	
21	90215-08014-00	WASHER, LOCK	1	
22	90201-12M34-00	WASHER, PLATE	1	

FRAME - SIDE COVER



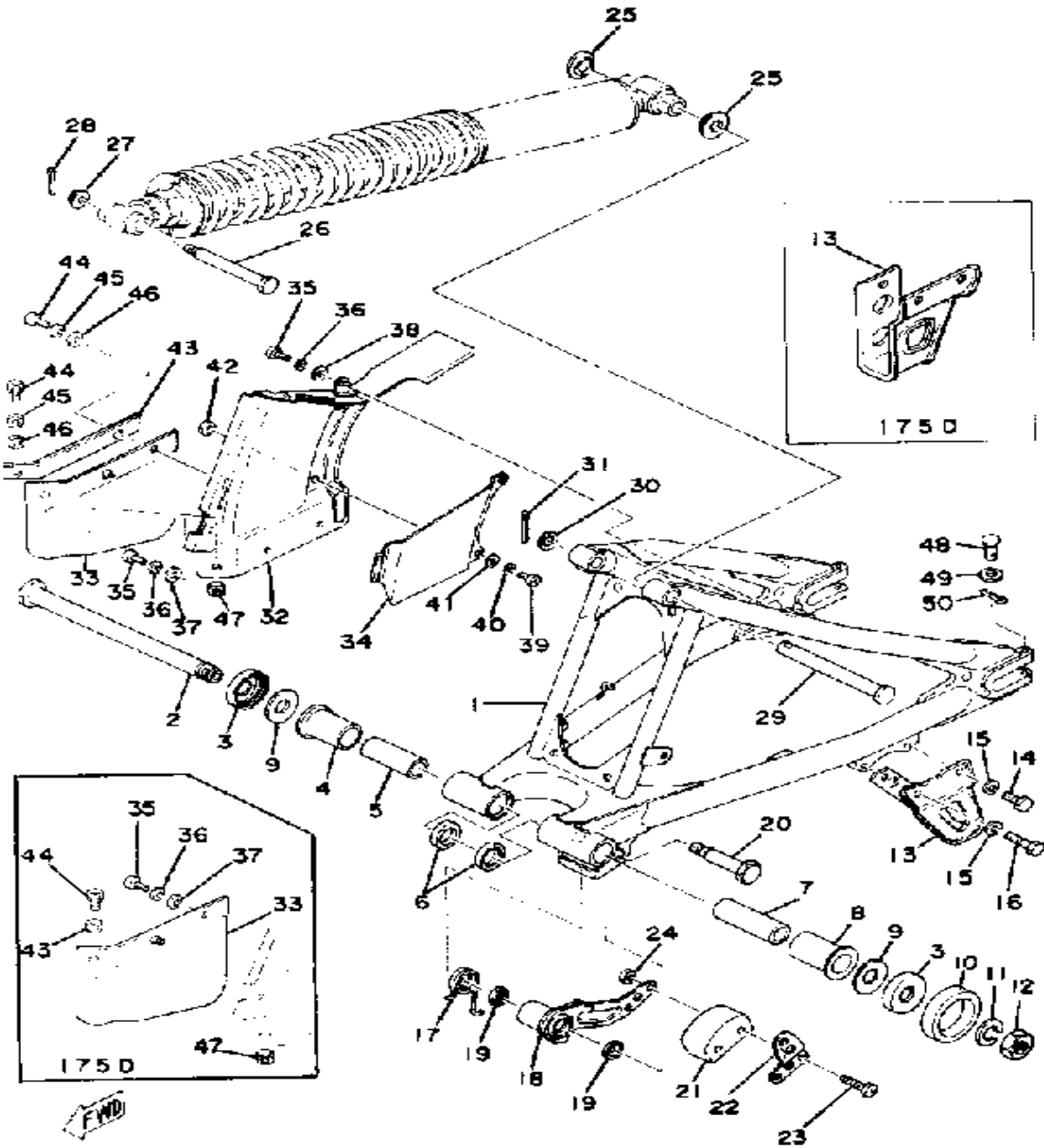
Ref. No.	Part Number	Description	Qty	Remarks
1	(1W2-21110-01-33)	FRAME	1	
	(1W2-21110-03-33)	FRAME	1	
2	1W1-21410-00-00	ENGINE BRKT	1	
3	90105-08099-00	BOLT, WASHER BASED	1	M8-115L
4	95811-08055-00	BOLT, FLANGE	1	M8-95L
5	90105-10037-00	BOLT, WASHER BASED	1	M10-80L
6	92990-08200-00	WASHER, PLAIN	2	
7	90185-08089-00	NUT, SELF-LOCKING	2	
8	92990-10100-00	WASHER, SPRING	1	
9	(1W2-21471-00-00)	PROTECTOR, ENGINE	1	
10	97313-08018-00	BOLT, HEXAGON (97301-08016)	4	
11	92990-08100-00	WASHER	4	
12	92901-08600-00	WASHER	4	
13	1W2-21711-00-00	COVER, SIDE 1	1	SKY BLUE/ COMP. YELLOW
14	(1W2-21721-01-00)	COVER, SIDE 2	1	SKY BLUE/ COMP. YELLOW
15	525-14729-20-00	EMBLEM, PROTECTOR	2	
16	98903-06012-00	SCREW, BIND	2	
17	90201-06067-00	WASHER, PLATE	2	
18	90480-12053-00	GROMMET	1	
	90480-12053-00	GROMMET	2	
19	1W1-21481-00-00	UNAVAILABLE IN PRICE BOOK	1	
20	1W1-24183-00-00	DAMPER, LOCATING 3	2	
21	537-21732-00-00	SEAL 1	2	

FRONT FENDER - REAR FENDER



Ref. No.	Part Number	Description	Qty	Remarks
1	99999-02158-00	FENDER, FRONT SET	1	SKY BLUE
2	97011-06025-00	BOLT (97001-06025)	4	
3	92995-06100-00	WASHER, SPRING	4	
4	90203-06067-00	UNAVAILABLE IN PRICE BOOK	4	
5	90480-14198-00	GROMMET	5	
6	90387-06388-00	COLLAR	5	
7	1W2-21611-00-00	FENDER, REAR	1	SKY BLUE
8	97301-06014-00	BOLT, HEXAGON	3	
9	92995-06100-00	WASHER, SPRING	3	
10	90201-06067-00	WASHER, PLATE	3	
11	(1W2-21620-90-00)	GUARD, MUD	1	
12	1M1-21621-00-00	FLAP	1	
13	565-21746-00-00	DAMPER	1	
14	97301-06014-00	BOLT, HEXAGON	2	
15	92995-06100-00	WASHER, SPRING	2	
16	90201-06067-00	WASHER, PLATE	2	
17	97011-06025-00	BOLT (97001-06025)	1	
18	92995-06100-00	WASHER, SPRING	1	
19	(1W2-21621-00-00)	FLAP	1	
20	90480-15058-00	GROMMET	1	

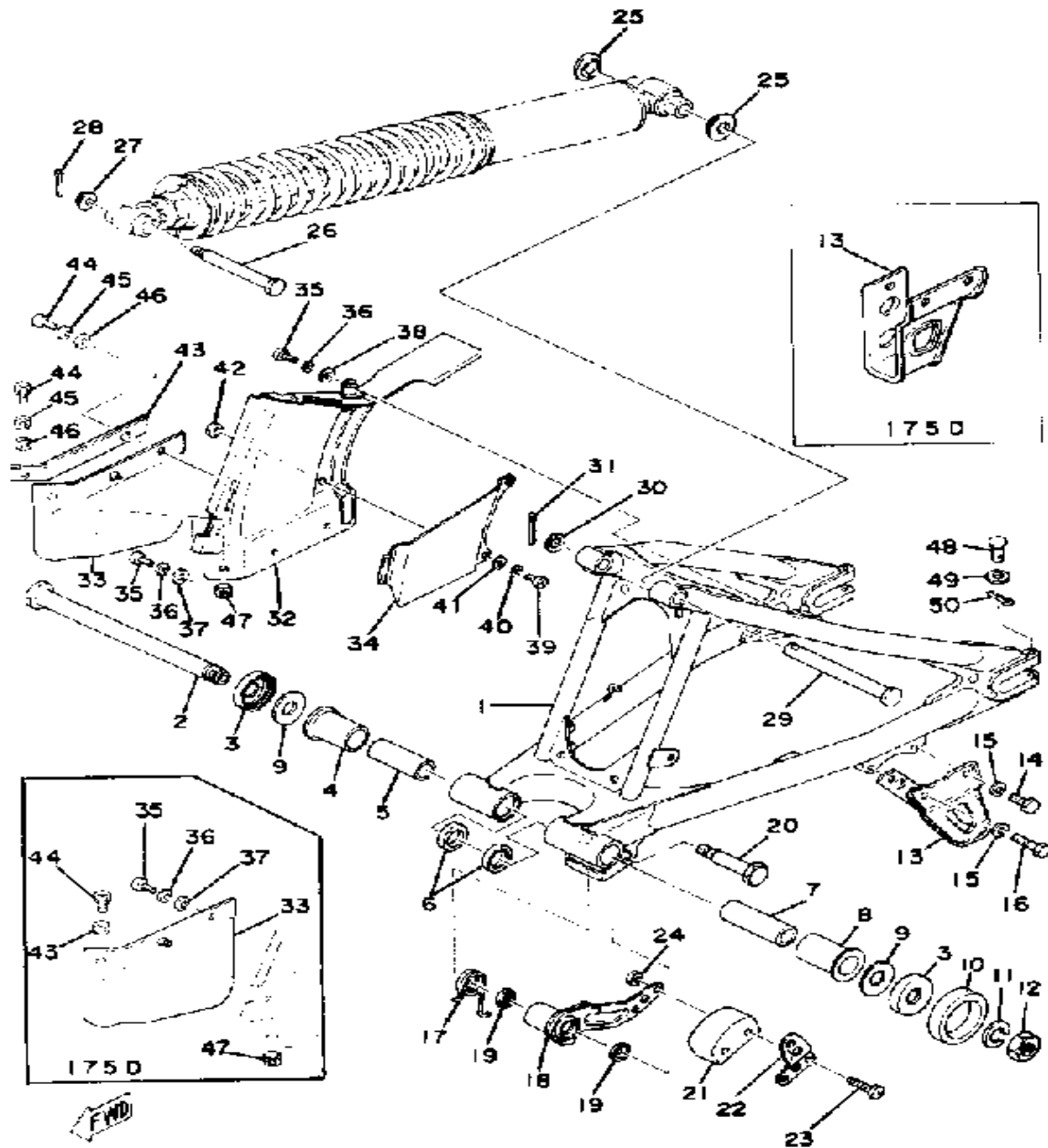
REAR ARM - CHAIN CASE



Ref. No.	Part Number	Description	Qty	Remarks
1	(1W2-22110-01-33)	REAR ARM	1	YAMAHA BLK
2	1W1-22141-00-00	SHAFT, PIVOT	1	
3	322-22128-01-00	COVER, THRUST 1	2	
4	90386-22102-00	BUSH, SPEC'L NYLON	1	
5	90380-16054-00	BUSH, SOLID	1	
6	93109-22019-00	OIL SEAL, SDO-TYPE	2	
7	90380-16055-00	BUSH, SOLID	1	
8	3Y1-22184-01-00	BUSH	1	
9	240-22127-00-00	SHIM	1	
10	1W1-22151-00-00	SEAL, GUARD	1	
11	92901-16100-00	WASHER, SPRING	1	
12	90170-16111-00	NUT, HEXAGON	1	
13	1K7-22153-01-00	UNAVAILABLE IN PRICE BOOK	1	YAMAHA BLK
14	97001-06018-00	BOLT	1	
15	92995-06100-00	WASHER, SPRING	2	
16	97313-06055-00	BOLT, HEXAGON (97322-06055)	1	
17	90508-35350-00	SPRING, TORSION	1	
18	(1W1-22179-01-00)	ARM, TENSIONER	1	
19	93104-14044-00	OIL SEAL	2	
20	90109-10483-00	BOLT (90109-10533-00)	1	
21	1W1-22178-00-00	TENSIONER	1	
	ACC-11130-00-25	TENSIONER (2N0-22178-00-00)	1	
22	1W1-22187-00-00	GUIDE, CHAIN	1	
23	98580-05035-00	SCREW, PAN HEAD	2	
24	95311-05700-00	NUT	2	
25	1W1-22128-00-00	COVER, THRUST 1	2	
26	90109-08480-00	BOLT	1	
27	90179-08243-00	NUT, SPEC'L SHAPE	1	
28	91490-20020-00	PIN, COTTER	1	

CONTINUED ON NEXT FRAME ➤

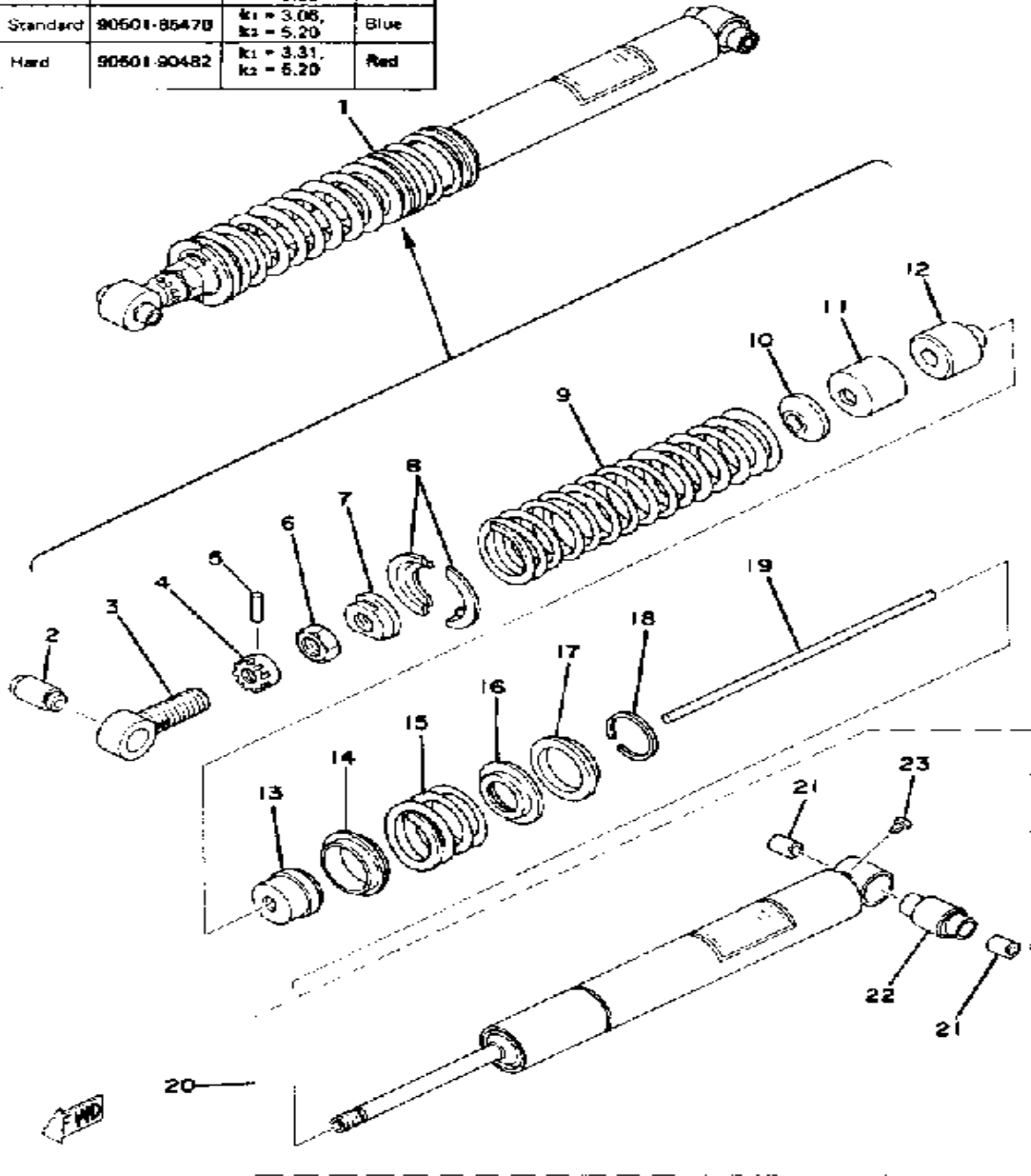
REAR ARM - CHAIN CASE



Ref. No.	Part Number	Description	Qty	Remarks
29	90240-12060-00	PIN, CLEVIS	1	
30	92990-12600-00	WASHER, PLATE	1	
31	91401-30030-00	PIN, COTTER	1	
32	(1W2-22311-00-33)	CASE, CHAIN	1	YAMAHA BLK
33	(1W2-22313-00-00)	RUBBER, CHAIN CASE	1	
34	(1W2-22318-00-00)	GUARD, CHAIN	1	
35	98580-05010-00	SCREW, PAN HEAD	2	
	98580-05010-00	SCREW, PAN HEAD	3	
36	92990-05100-00	WASHER, SPRING	2	
	92990-05100-00	WASHER, SPRING	3	
37	90201-05036-00	WASHER, PLATE	1	
	90201-05036-00	WASHER, PLATE	2	
38	90201-05029-00	WASHER, PLATE	1	
39	98580-05010-00	SCREW, PAN HEAD	2	
40	92990-05100-00	WASHER, SPRING	2	
41	92990-05200-00	WASHER, PLAIN	2	
42	95601-05100-00	NUT, U	2	
43	(1W2-22347-00-00)	PLATE, CHN CS RUBR	1	
	90201-05029-00	WASHER, PLATE	1	
44	98580-05010-00	SCREW, PAN HEAD	1	
	98580-05012-00	SCREW, PAN HEAD	2	
45	92990-05100-00	WASHER, SPRING	2	
46	92901-05600-00	WASHER, PLATE	2	
47	95601-05100-00	NUT, U	1	
48	91701-06042-00	PIN, CLEVIS	2	
49	92901-06600-00	WASHER	2	
50	91490-20020-00	PIN, COTTER	2	

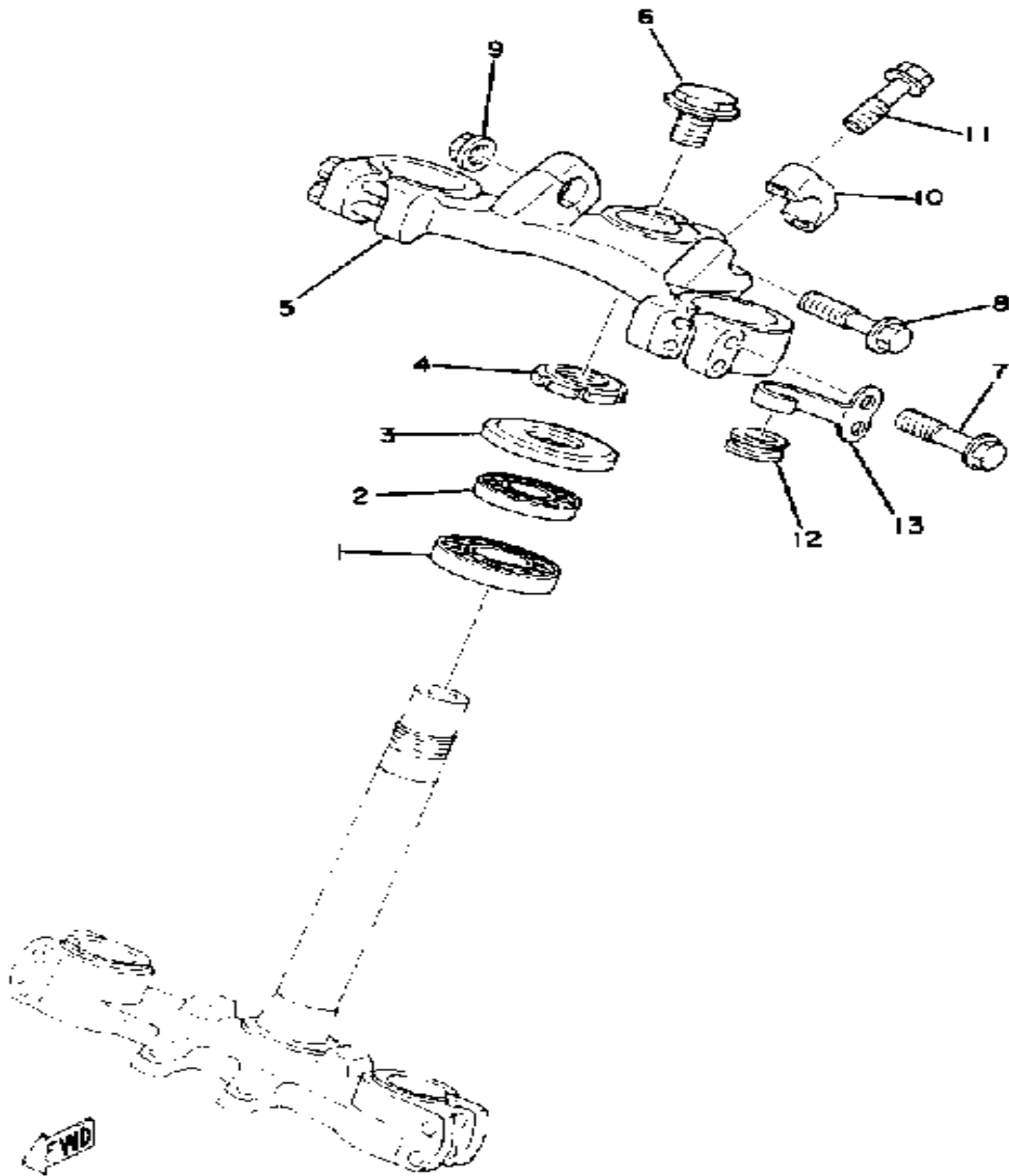
REAR CUSHION

Type	Part No.	Spring rate (kg/mm)	Color code
Soft	90501-80483	k ₁ = 2.78, k ₂ = 5.20	Yellow
Standard	90501-85470	k ₁ = 3.08, k ₂ = 5.20	Blue
Hard	90501-90482	k ₁ = 3.31, k ₂ = 5.20	Red



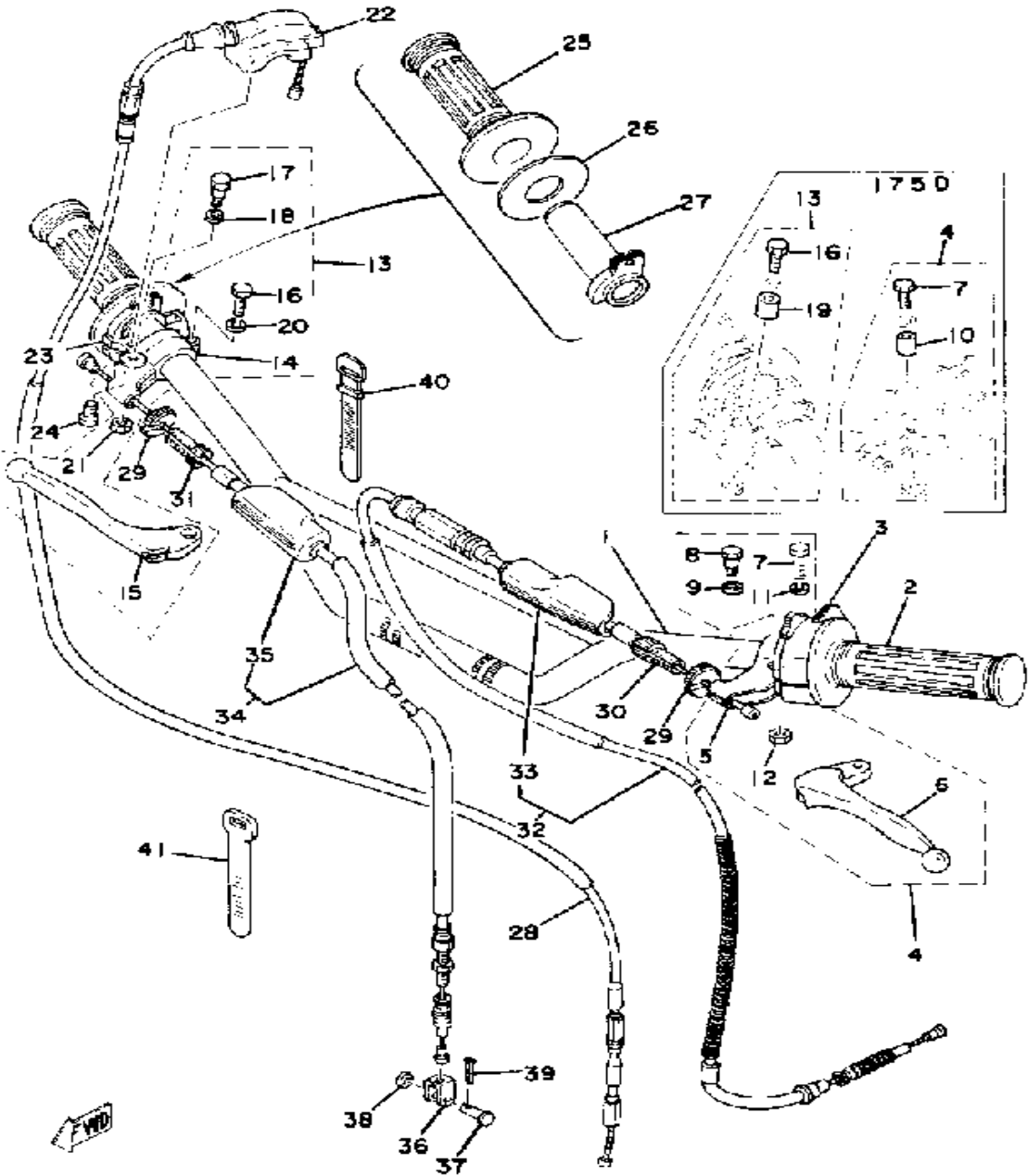
Ref. No.	Part Number	Description	Qty	Remarks
1	(1W2-22210-00-00)	SHK/ABS ASSEMBLY, REAR	1	
2	1YW-22216-00-00	. BUSH, RR SHOCK ABS	1	
3	(1W1-22219-00-00)	BRACKET, UPPER	1	
4	(1W1-22497-00-00)	NUT, ADJUSTING	1	
5	93604-26132-00	. PIN, DOWEL	1	
6	90170-20320-00	. NUT	1	
7	(1W1-22213-00-00)	SEAT, SPRING UPPER	1	
8	(1W1-22214-00-00)	GUIDE, SPRING 1	2	
9	(90501-99471-00)	SPRING, COMPRESSION	1	PAINTED PINK
10	(1W1-22228-00-00)	SUPPORT, BUMP STOP	1	
11	(1W1-22221-00-00)	COVER	1	
12	(1W1-22493-00-00)	BUMP, STOP	1	
13	(1W1-22472-00-00)	CAP, CASE	1	
14	(1W2-22234-00-00)	GUIDE, SPRING 3	1	
15	(90501-80483-00)	SPRING, COMPRESSION	1	
	(90501-85470-00)	SPRING, COMPRESSION	1	PAINTED BLUE
	(90501-90482-00)	SPRING, COMPRESSION	1	
16	(1W2-22224-00-00)	GUIDE, SPRING 2	1	
17	(1W1-22223-00-00)	SEAT, SPRING LOWER	1	
18	(93440-50058-00)	CIRCLIP, OUTER	1	
19	(1W1-22489-00-00)	ROD, PUSH	1	
20	(1W2-22401-00-00)	DAMPER SUB-ASSEMBLY.	1	M7-032
21	90830-12051-00	.. UNAVAILABLE IN PRICE BOOK	2	
22	1W1-22226-00-00	.. BUSH, SHOCK ABS LWR	1	
23	98511-04006-00	.. SCREW, PAN HEAD (98501-04005)	1	

STEERING



Ref. No.	Part Number	Description	Qty	Remarks
1	93332-00008-00	BEARING	1	
2	93332-00001-00	BEARING	1	
3	3HE-23416-00-00	COVER, BALL RACE 2	1	
4	90179-25033-00	NUT	1	
5	5X3-23435-01-98	CROWN, HANDLE	1	LOW GLOSS BLK
6	90105-14136-00	BOLT, WASHER BASED	1	
7	90105-08091-00	BOLT, WASHER BASED	4	
8	95811-08055-00	BOLT, FLANGE	1	
9	95701-08500-00	NUT, FLANGE	1	
10	1E6-23441-00-00	HOLDER, HANDLE UPR	2	
11	95811-08035-00	BOLT, FLANGE (95821-08035) .	4	
12	1W1-23389-00-00	GUIDE, CABLE	1	
13	1W1-23317-01-00	HOLDER, CABLE	1	

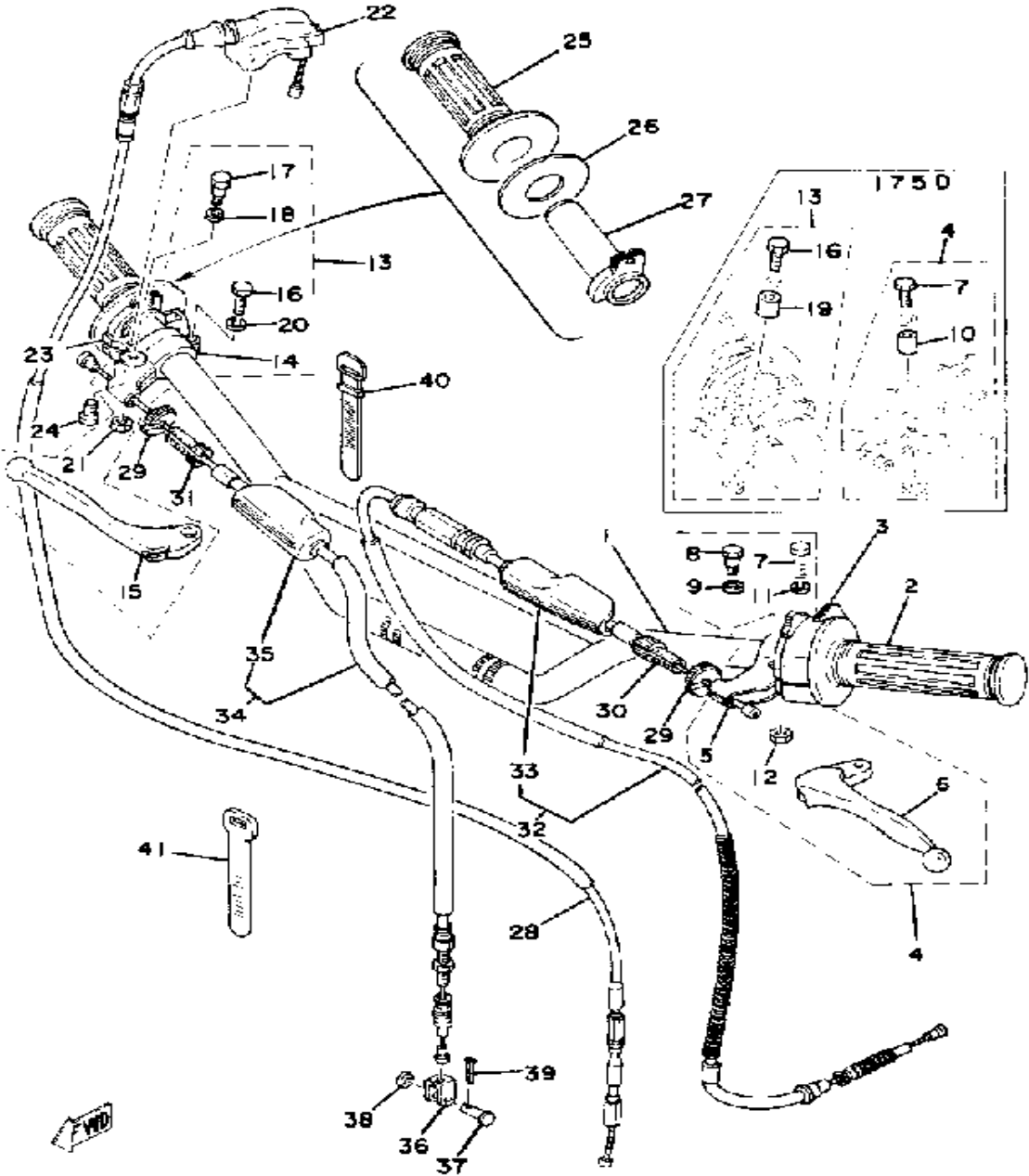
HANDLE - WIRE



Ref. No.	Part Number	Description	Qty	Remarks
1	1W1-26111-03-00	HANDLEBAR (1W1-26111-02)	1	
2	1E6-26241-00-00	GRIP LH	1	
3	1W2-83973-00-98	SWITCH, HANDLE 3	1	LOW GLOSS BLK
4	583-82910-11-00	LEVER HOLDER ASSEMBLY 1 (583-82910-10)	1	
5	214-82911-01-00	. HOLDER, LEVER 1	1	LOW GLOSS BLK
6	1J3-83912-20-00	. LEVER L	1	LOW GLOSS BLK
7	97003-06022-00	. BOLT, HEXAGON (97301-06022)	1	
	97003-06022-00	. BOLT, HEXAGON (97301-06022)	2	
8	90109-06797-00	. BOLT	1	
9	90201-08083-00	. WASHER, PLATE	1	
10	214-83913-00-00	. COLLAR, LEVER 1	1	
11	92995-06100-00	. WASHER, SPRING	1	
12	95601-06100-00	. NUT, U	1	
13	(583-82920-11-00)	LEVER HOLDER ASSEMBLY 2	1	
14	516-82921-30-00	. HOLDER, LEVER 2	1	LOW GLOSS BLK
15	2A6-83922-00-00	. LEVER R	1	LOW GLOSS BLK
16	97003-06022-00	. BOLT, HEXAGON (97301-06022)	1	
	97003-06022-00	. BOLT, HEXAGON (97301-06022)	2	
17	90109-06797-00	. BOLT	1	
18	90201-08083-00	. WASHER, PLATE	1	
19	214-83913-00-00	. COLLAR, LEVER 1	1	
20	92995-06100-00	. WASHER, SPRING	1	
21	95601-06100-00	. NUT, U	1	
22	322-26281-00-98	CAP, GRIP UPPER	1	
23	322-26282-00-00	CAP, GRIP LOWER	1	

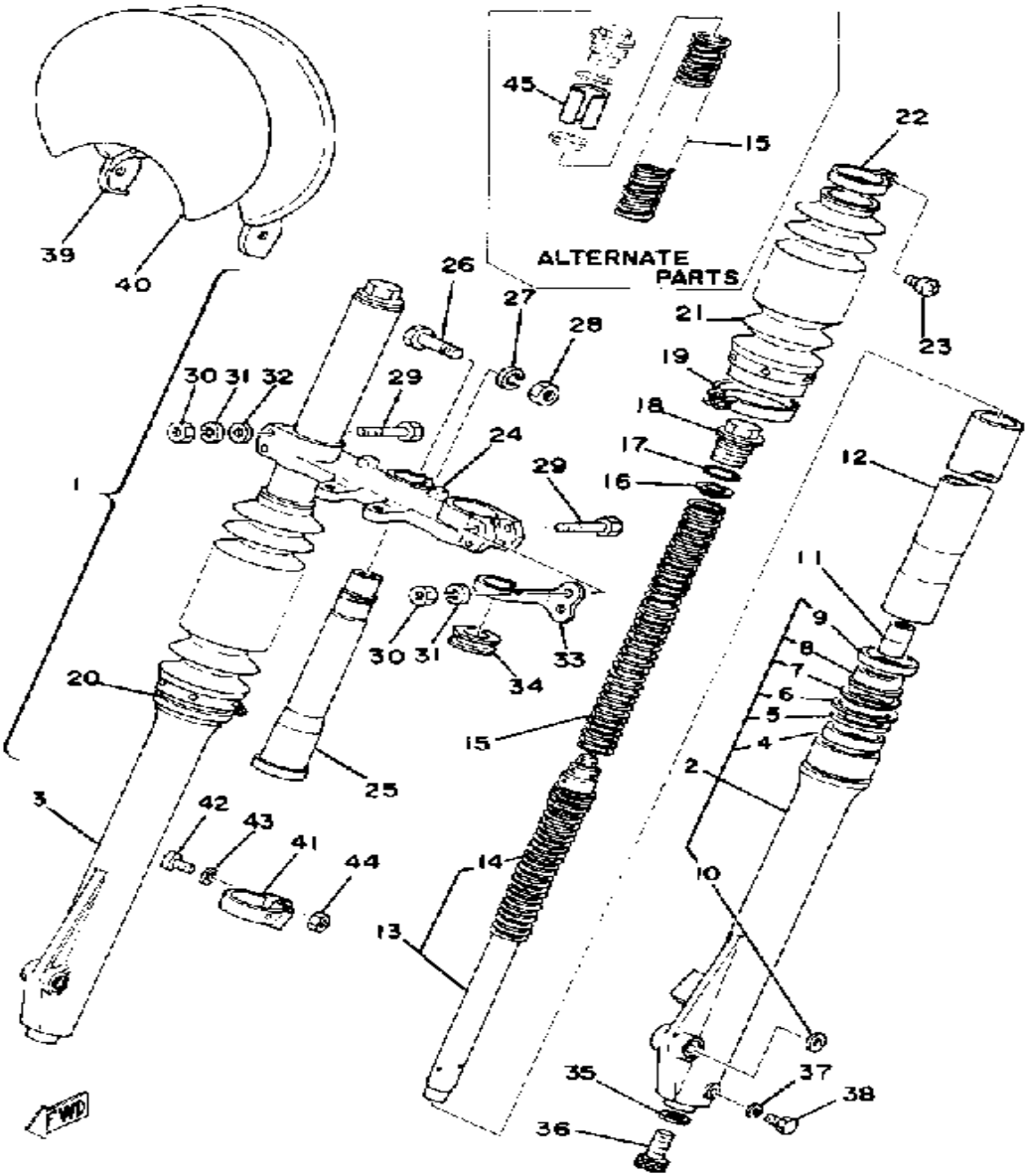
CONTINUED ON NEXT FRAME ➤

HANDLE - WIRE



Ref. No.	Part Number	Description	Qty	Remarks
24	98580-05016-00	SCREW, PAN HEAD	2	
25	583-26242-00-00	GRIP RH	1	
26	1W1-26249-00-00	RING, leaf	1	
27	322-26243-00-00	TUBE, throttle guide	1	
28	1W2-26311-02-00	CABLE, THROTTLE 1	1	
29	90179-08148-00	NUT	2	
30	90123-08013-00	BOLT	1	
	90123-08013-00	BOLT	2	
31	90123-08046-00	BOLT	1	
32	1W1-26335-00-00	CABLE, CLUTCH	1	
33	382-26372-01-00	. COVER, HANDLE LEVER	1	
34	1W1-26341-00-00	CABLE, BRAKE	1	
	1W1-26341-01-00	CABLE, BRAKE	1	
35	382-26372-01-00	. COVER, HANDLE LEVER	1	
36	156-26347-00-00	JOINT, CABLE	1	
37	90240-08013-00	PIN, CLEVIS	1	
38	90201-08083-00	WASHER, PLATE	1	
39	91490-20020-00	PIN, COTTER	1	
40	437-83936-11-00	BAND, SWITCH CORD	1	
41	437-83936-01-00	BAND, SWITCH CORD	6	

FRONT FORK



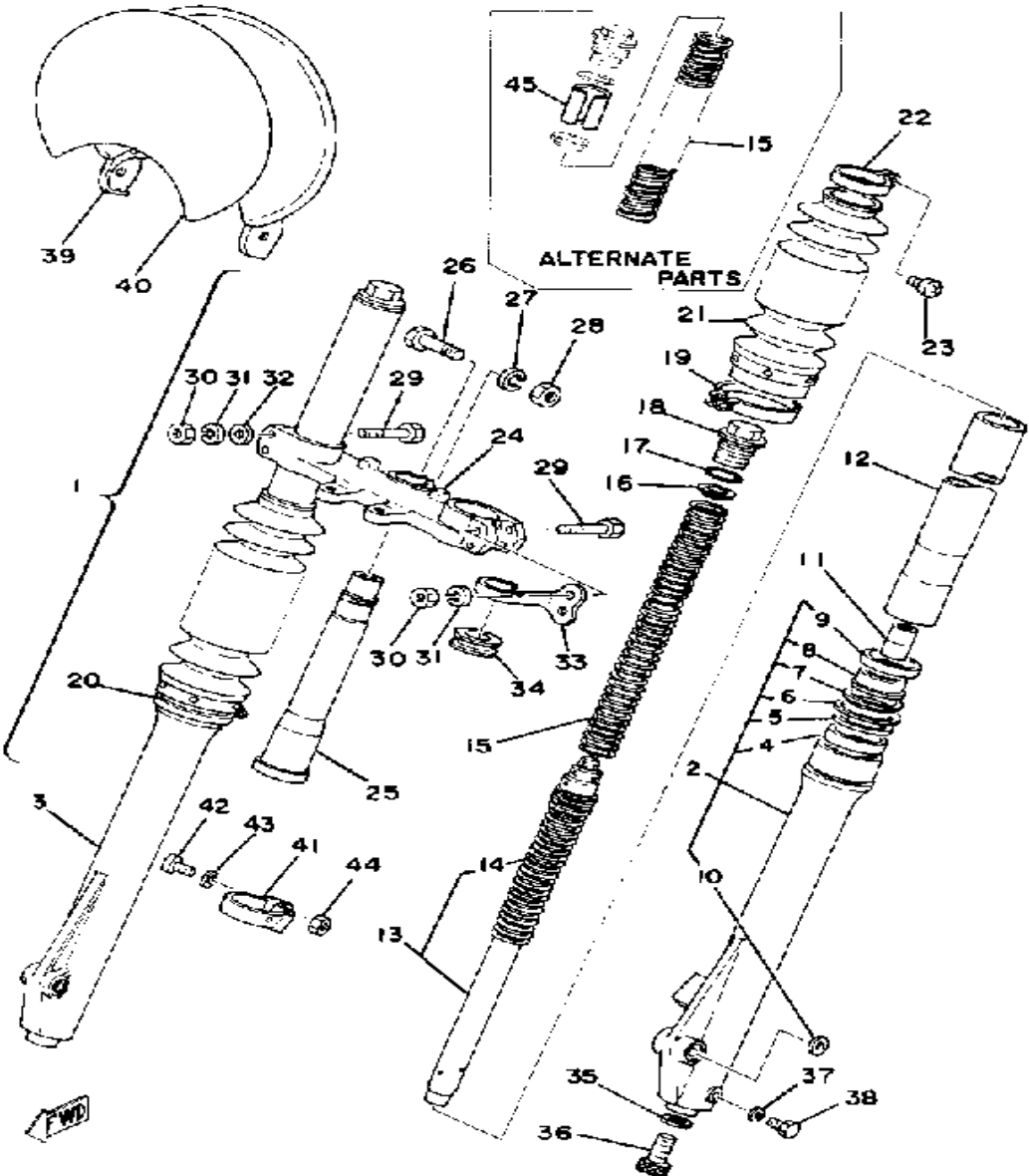
IT175D IT175E

SUSPENSION		
Front Forks:	Oil type/level/qty	20wt Fork Oil* / φ / 262cc
	Spring Length std	566mm

Ref. No.	Part Number	Description	Qty	Remarks
1	(1W6-23101-00-00)	FRONT FORK ASSEMBLY	1	
2	(1W2-23126-01-00)	TUBE, OUTER 1	1	
3	(1W2-23136-01-00)	TUBE, OUTER 2	1	
4	48Y-23145-00-00	.. OIL SEAL	2	
5	(509-23146-L0-00)	WASHER, OIL SEAL	2	
6	1W1-23156-L0-00	.. CLIP, OIL SEAL	2	
7	1W1-23153-L0-00	.. RING, SNAP	2	
8	1G8-23144-L1-00	.. SEAL, DUST	2	
9	99999-01510-00	.. COVER, DUST SEAL	2	
10	1W1-23168-L0-00	.. CAP, FRONT FORK	2	
11	1W1-23173-L0-00	. SPINDLE, TAPER	2	
12	(1W2-23110-00-00)	INNER TUBE 1	2	
13	(1W2-23170-00-00)	CYLINDER, FRTRFK	2	
14	(1G8-23151-L0-00)	SPRING, REBOUND	2	
15	(1W2-23141-00-00)	SPRING, FRONT FORK	2	
	(1W2-23141-10-00)	SPRING, FRONT FORK	2	
	(1W2-23141-20-00)	SPRING, FRONT FORK	2	
16	583-23142-00-00	. SEAT, SPRING UPPER	2	
17	240-23114-00-00	. GASKET	2	
18	2W6-23111-00-00	. BOLT, CAP (583-23111-00)	2	
19	1W1-23318-L0-00	. HOLDER, CABLE 1	1	
20	509-23489-L0-00	. BAND	1	
21	(1W1-23191-L0-00)	BOOT, FRONT FORK	2	
22	341-92090-60-00	. BAND, BOOT	2	
23	509-23194-L0-00	. SCREW, BOOT BAND	2	
24	(1W1-23345-L0-33)	BRACKET, LOWER	1	YAMAHA BLK
25	(1W1-23341-L0-00)	SHAFT, STEERING	1	
26	(1W1-23356-L0-00)	BOLT 2	1	
27	92990-10100-00	. WASHER, SPRING	1	

CONTINUED ON NEXT FRAME ➤

FRONT FORK

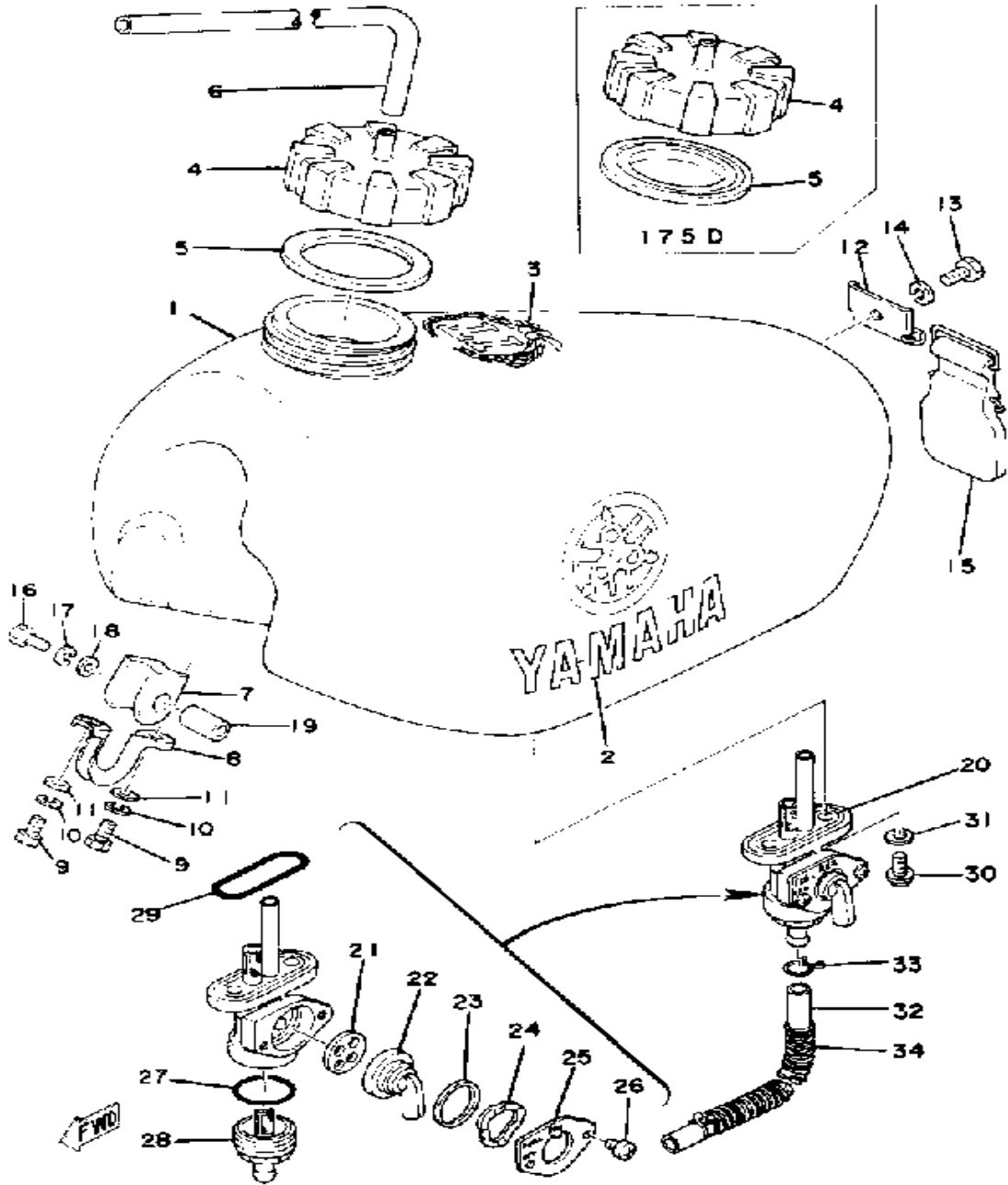


Ref. No.	Part Number	Description	Qty	Remarks
28	(322-23357-00-00)	NUT	1	
29	90101-08340-00	. BOLT	4	
30	95333-08600-00	. NUT	4	
31	92990-08100-00	. WASHER	4	
32	92901-08600-00	. WASHER	2	
33	1W1-23317-01-00	. HOLDER, CABLE	1	
34	1W1-23389-00-00	. GUIDE, CABLE	1	
35	509-23158-L0-00	. GASKET	2	
36	1T3-23181-50-00	. BOLT, HEX SCKT HEAD	2	
37	122-23129-00-00	. GASKET, DRAIN PLUG	2	
38	98580-04008-00	. SCREW, PAN HEAD	2	
39	1W2-23485-00-00	PLATE, NUMBER	1	
40	1W2-23395-00-00	EMBLEM	1	
41	1W2-23318-00-00	HOLDER, CABLE 1	1	
42	98501-05018-00	SCREW, PAN HEAD	1	
43	92901-05600-00	WASHER, PLATE	1	
44	95380-05600-00	NUT	1	
45	(1W2-23118-10-00)	SPACER	2	

IT175D IT175E

SUSPENSION		
Front Forks:	Oil type/level/qty	20wt Fork Oil* / φ / 262cc
	Spring Length std	566mm

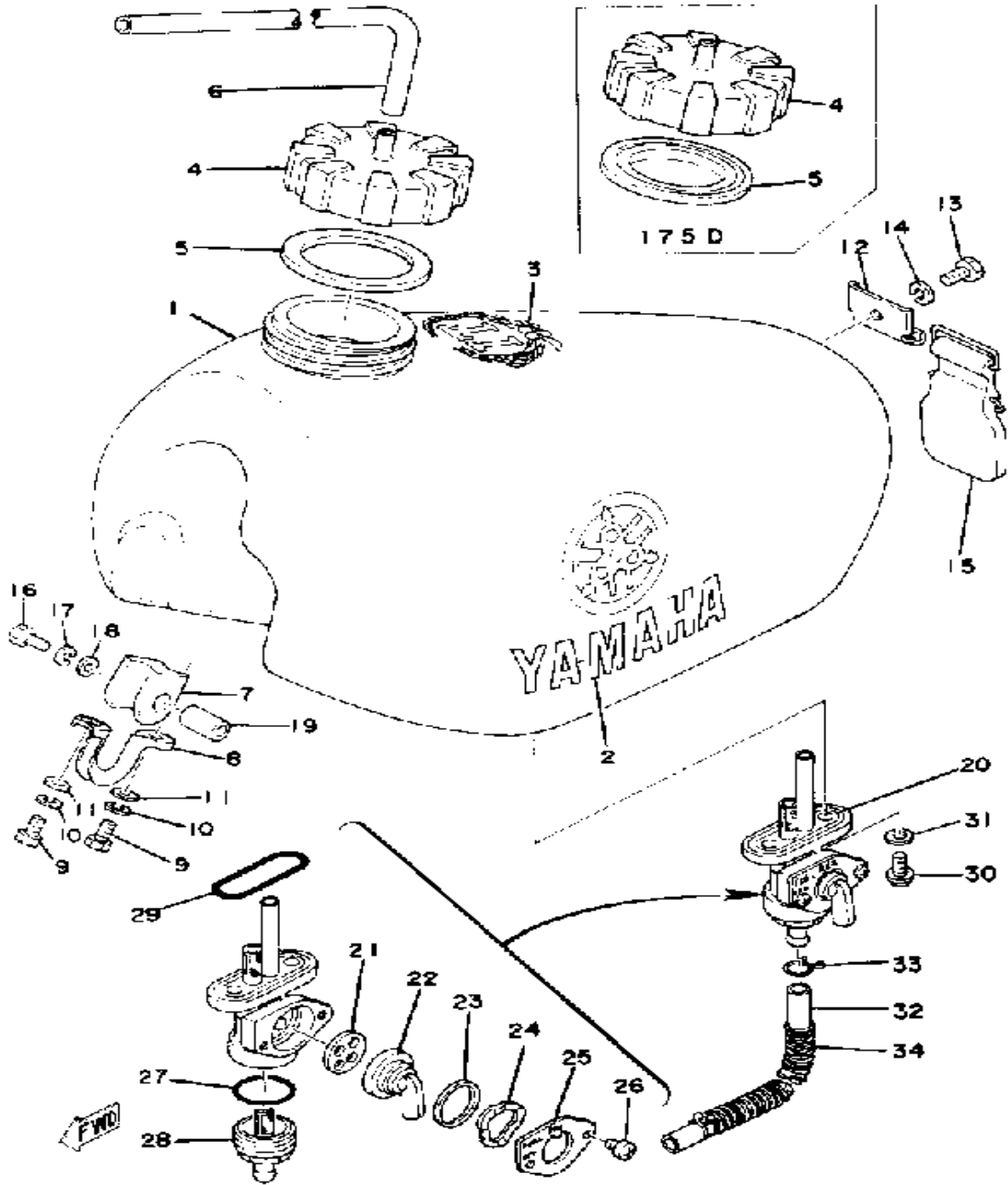
FUEL TANK



Ref. No.	Part Number	Description	Qty	Remarks
1	(1W2-24110-00-00)	FUEL TANK	1	SKY BLUE
2	(1W2-24161-00-00)	EMBLEM 1	2	
	(1W2-24161-01-00)	EMBLEM 1	2	
3	(1W2-24162-00-00)	EMBLEM 2	1	
4	1K7-24611-01-00	. BODY, CAP	1	
	1K7-24612-02-00	. GASKET, CAP	1	
	99999-00973-00	BODY FUEL TANK CAP (1K7-24611-00)	1	
5	1K7-24612-01-00	GASKET, CAP	1	
	1K7-24612-02-00	GASKET, CAP	1	
6	90445-09361-00	HOSE	1	
7	1W1-24182-01-00	DAMPER, LOCATING 2	2	
8	1W1-24144-01-00	HOLDER, DAMPER	2	
9	97013-06012-00	BOLT	4	
10	92995-06100-00	WASHER, SPRING	4	
11	92901-06600-00	WASHER	4	
12	1W1-24192-00-00	BRACKET, FUEL TNK 2	1	
13	97013-06012-00	BOLT	1	
14	92995-06100-00	WASHER, SPRING	1	
15	1W1-24173-00-00	BAND, TNK FITTING 1	1	
16	97013-06035-00	BOLT	2	
17	92995-06100-00	WASHER, SPRING	2	
18	90201-06407-00	WASHER, PLATE (90201-06747-00)	2	
19	90387-07393-00	COLLAR (308-84557-00)	2	
20	498-24500-01-00	FUEL COCK ASSEMBLY 1 (214-24500-02)	1	
21	498-24523-00-00	. VALVE	1	
22	498-24524-01-00	. LEVER, COCK	1	
23	(498-24528-00-00)	GASKET	1	

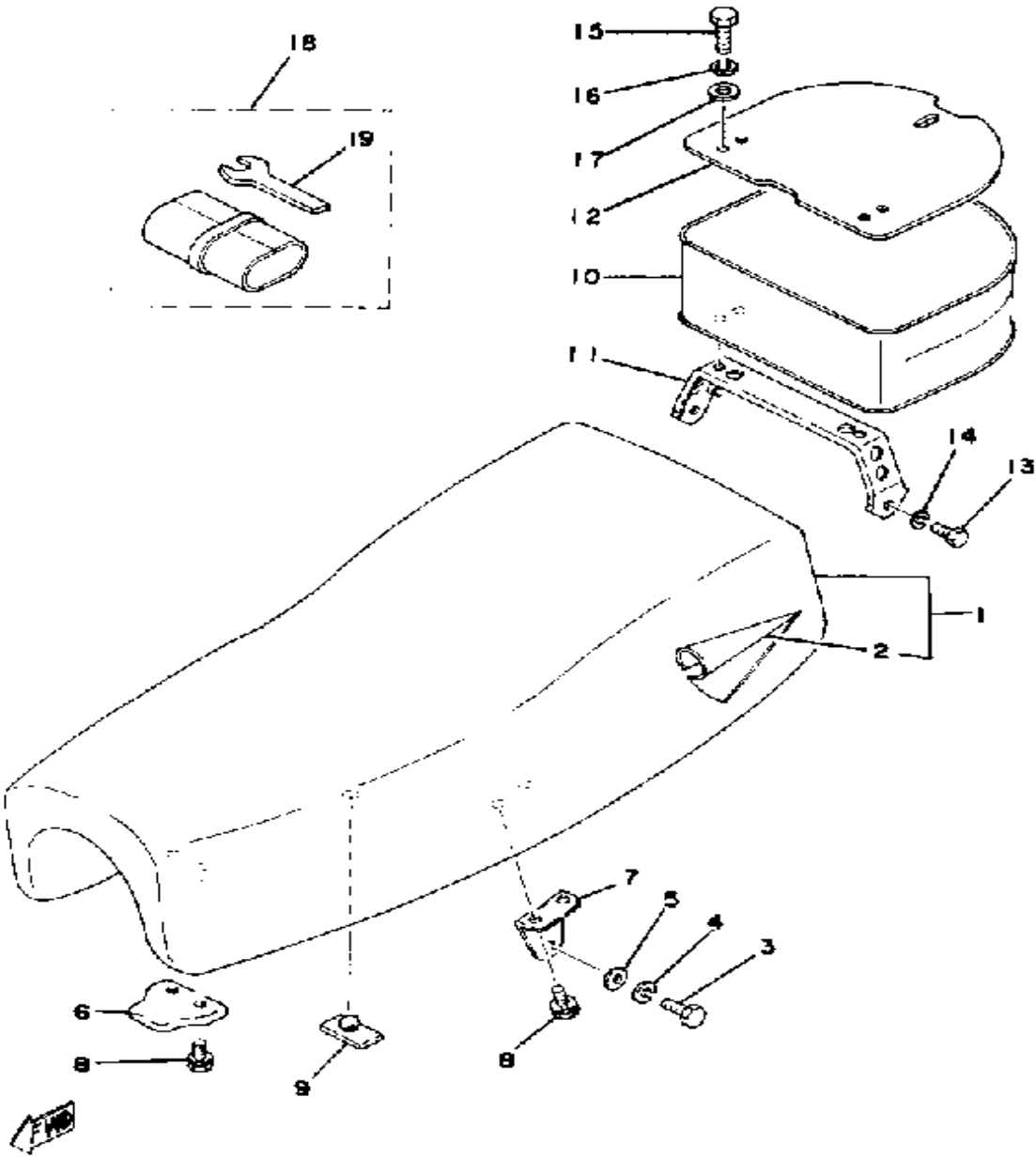
CONTINUED ON NEXT FRAME ►

FUEL TANK



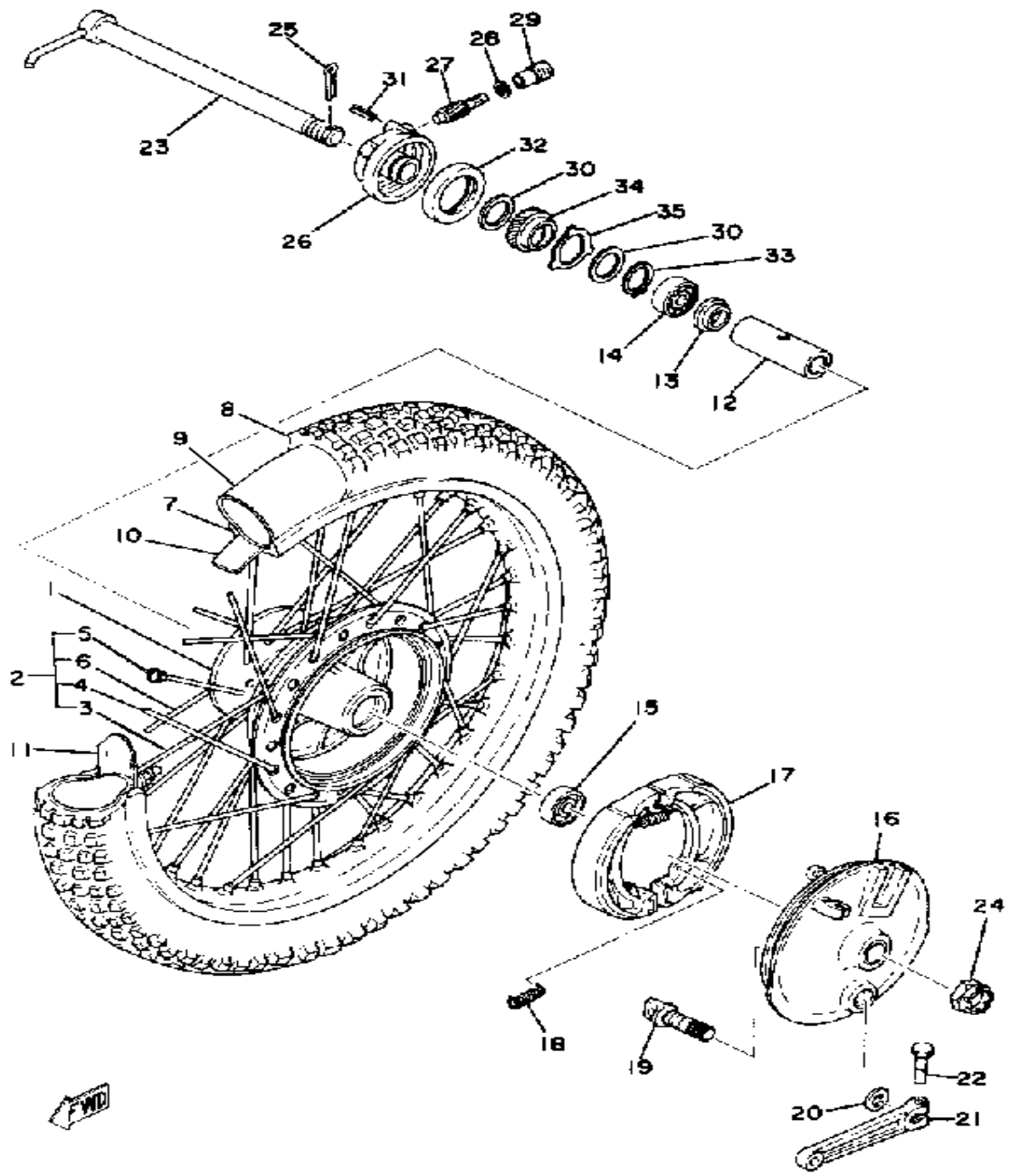
Ref. No.	Part Number	Description	Qty	Remarks
24	90206-18025-00	. WASHER, WAVE	1	
25	498-24525-00-00	. PLATE, LVR FITTING	1	
26	214-24535-00-00	. SCREW, PAN HEAD	2	
27	498-24522-00-00	. GASKET	1	
28	(498-24521-00-00)	CUP, FILTER	1	
29	214-24512-00-00	. GASKET	1	
30	90149-06011-00	SCREW	2	
31	90202-05187-00	WASHER, PLATE	2	
32	90445-11356-00	HOSE	1	
33	90467-10008-00	CLIP	2	
34	90501-08486-00	SPRING, COMPRESSION	1	

SEAT



Ref. No.	Part Number	Description	Qty	Remarks
1	(2W6-W2473-00-00)	SEMI-DBL-SEAT ASSEMBLY ..	1	
2	1W2-24771-00-00	. COVER, SM-DBL SEAT	1	
3	97301-06014-00	BOLT, HEXAGON	2	
4	92995-06100-00	WASHER, SPRING	2	
5	92901-06600-00	WASHER	2	
6	1M1-24748-00-00	BRACKET, SEAT	1	
7	509-24738-01-00	BRACKET, SEAT	2	
8	90101-06304-00	BOLT	6	
9	509-24724-00-00	DAMPER, SEAT	6	
10	1W2-24850-01-00	CARRIER BOX ASSEMBLY ...	1	
11	(1W2-24832-00-00)	BRACKET, CARRIER 1	1	
12	1W2-24833-01-00	BRACKET, CARRIER 2	1	
13	97301-06014-00	BOLT, HEXAGON	2	
14	92995-06100-00	WASHER, SPRING	2	
15	97001-06018-00	BOLT	3	
16	92995-06100-00	WASHER, SPRING	3	
17	90201-06067-00	WASHER, PLATE	3	
18	1W2-W2810-00-00	TOOL KIT	1	
19	10V-28135-00-00	. SPANNER, SPECIAL	1	

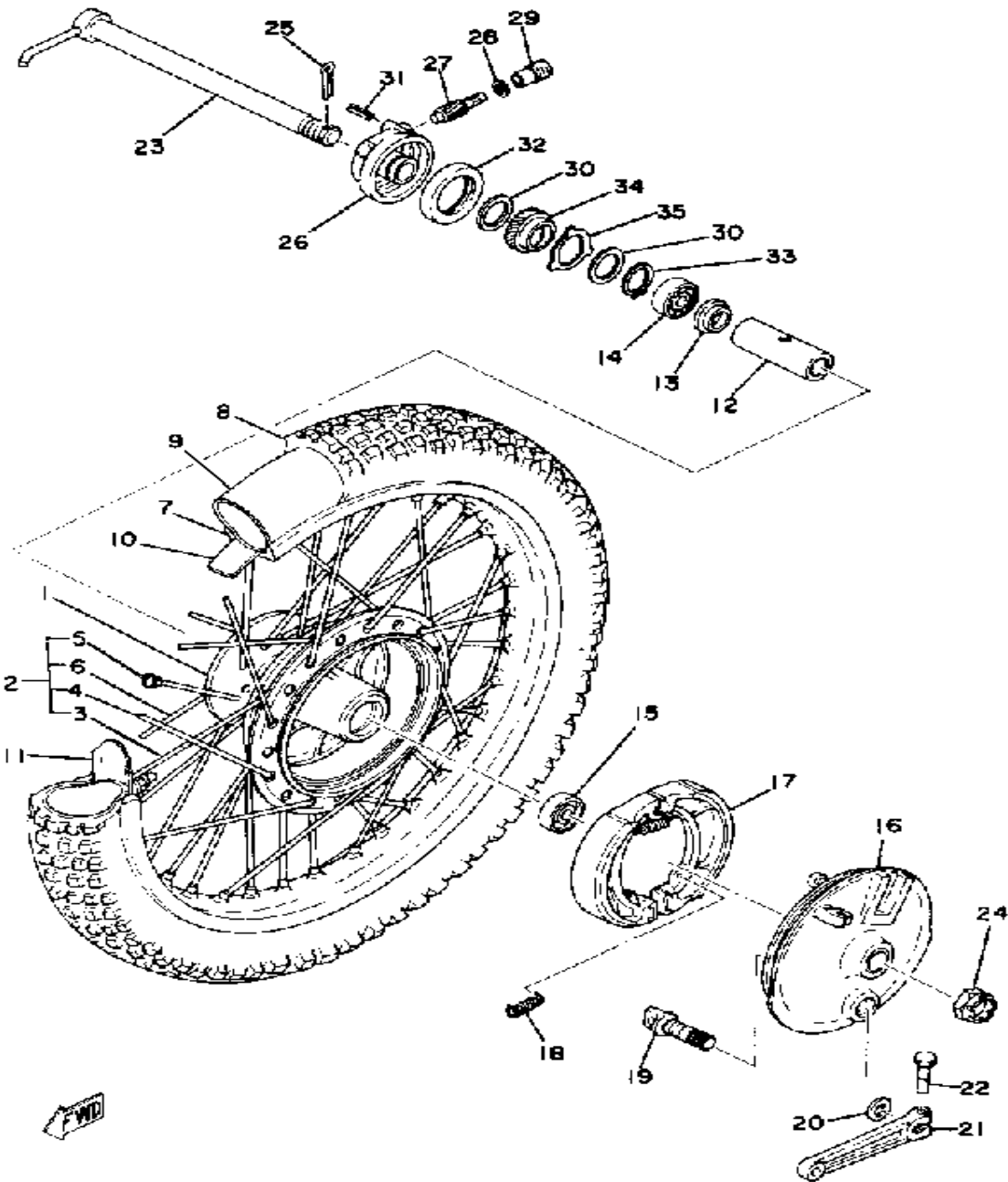
FRONT WHEEL



Ref. No.	Part Number	Description	Qty	Remarks
1	1K7-25111-10-98	HUB, FRONT	1	LOW GLOSS BLK
2	2W6-25104-02-00	SPOKE SET, FRONT	1	
3	(1K7-25196-90-00)	SPOKE SET, INNER 1	1	
4	(1K7-25197-90-00)	SPOKE SET, OUTER 1	1	
5	(1K7-25179-90-00)	SPOKE SET, INNER 2	1	
6	(1K7-25189-90-00)	SPOKE SET, OUTER 2	1	
7	94416-21326-00	RIM 1.60X 1	1	
8	(94130-21226-00)	300X21 BS 7	1	
9	94227-21123-00	TUBE (2.75-21)	1	
10	(94327-21024-00)	BAND, RIM	1	
11	1T1-25194-00-00	SPACER, BEAD	1	
12	90560-15116-00	SPACER	1	
13	146-25116-00-00	FLANGE, SPACER 2	1	
14	93306-20209-00	BEARING (B6202)	1	
15	93306-20226-00	BEARING	1	
16	1W1-25016-11-98	BRAKE SHOE PLT ASSEMBLY (1W1-25121-02-98)	1	LOW GLOSS BLK
17	322-W2535-00-00	BRAKESHOE SET-2PCS	2	
18	90506-17328-00	SPRING, TENSION	2	
19	23X-25151-00-00	CAMSHAFT	1	
20	137-25159-00-00	SEAL, CAMSHAFT	1	
21	322-25155-00-00	LEVER, CAMSHAFT 1	1	
22	90101-06291-00	BOLT	1	
23	1W2-25181-02-00	AXLE, WHEEL	1	
24	90171-14020-00	NUT, CASTLE	1	
25	91401-30030-00	PIN, COTTER	1	
26	1W2-25190-00-00	GEAR UNIT ASSEMBLY	1	
27	1W2-25138-00-00	GEAR, METER	1	
28	102-18416-00-00	SHIM, ROD	1	

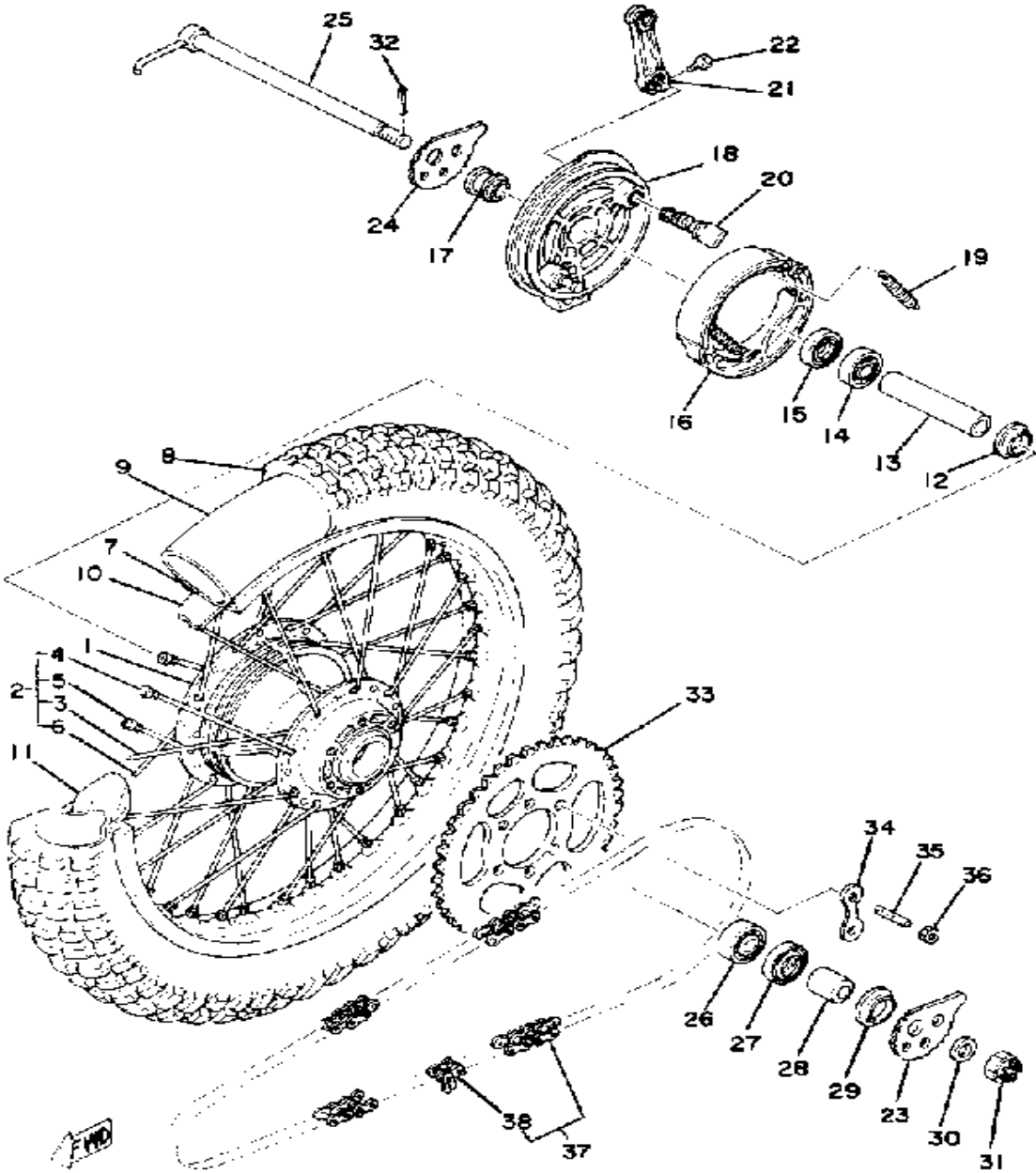
CONTINUED ON NEXT FRAME ➤

FRONT WHEEL



Ref. No.	Part Number	Description	Qty	Remarks
29	306-25136-00-00	BUSH	1	
30	90201-22283-00	WASHER, PLATE	2	
31	91609-20014-00	PIN, SPRING	1	
32	93106-40027-00	OIL SEAL	1	
33	93410-22014-00	CIRCLIP, S-TYPE	1	
34	1W2-25135-00-00	GEAR, DRIVE	1	
35	1K7-25149-00-00	CLUTCH, METER	1	

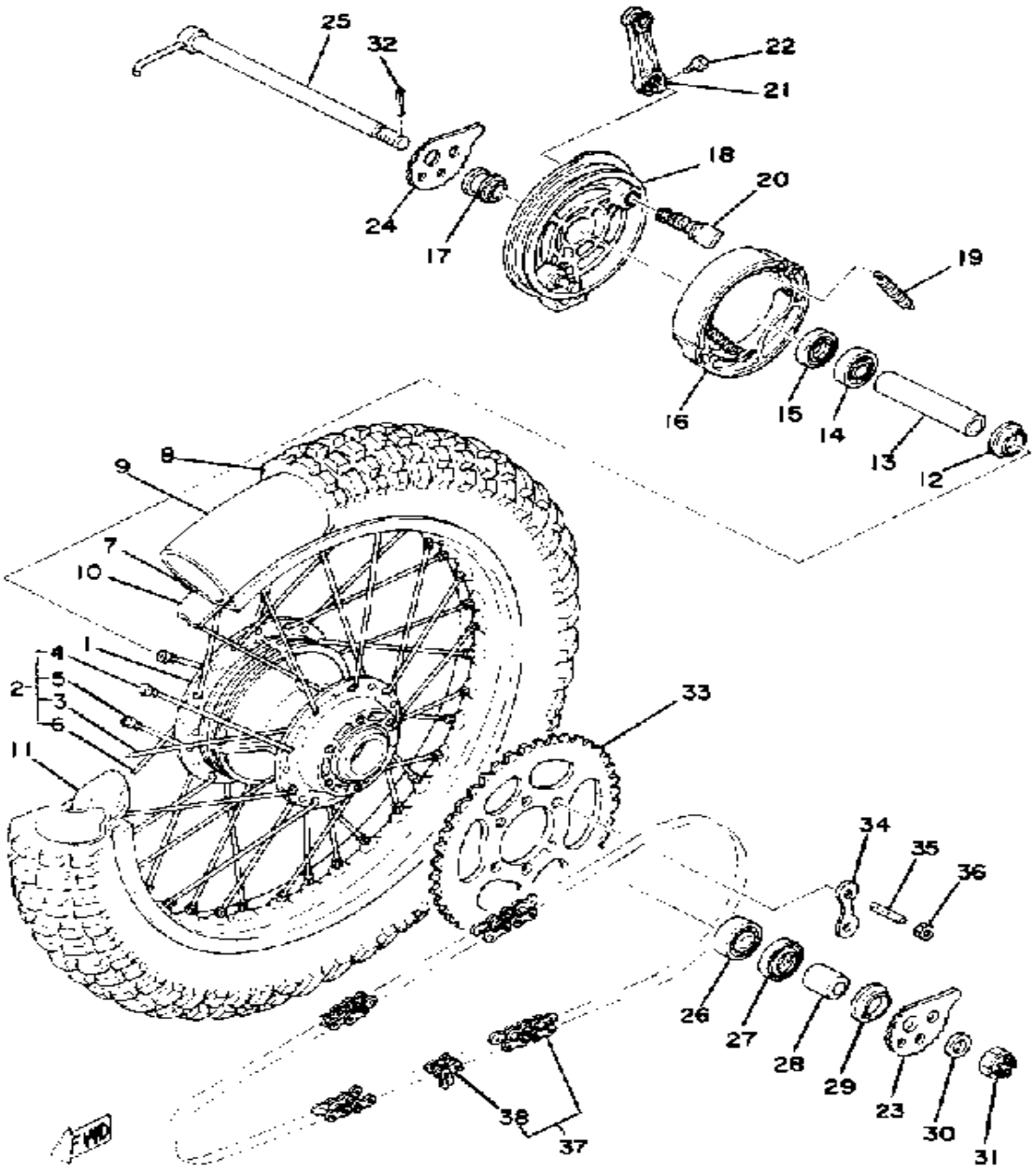
REAR WHEEL



Ref. No.	Part Number	Description	Qty	Remarks
1	1W1-25311-00-98	HUB, REAR	1	LOW GLOSS BLK
2	537-25304-01-00	SPOKE SET, REAR	1	
3	(537-25396-90-00)	SPOKE SET, INNER 2	1	
4	(537-25397-90-00)	SPOKE SET, OUTER 2	1	
5	(537-25391-90-00)	SPOKE SET, INNER 1	1	
6	(537-25392-90-00)	SPOKE SET, OUTER 1	1	
7	94418-18245-00	RIM 1.85X 8	1	
8	(94141-18270-00)	410X18 IRC MX	1	
9	94230-18084-00	TUBE	1	
10	94325-18043-00	BAND, RIM	1	
11	2X3-25394-00-00	SPACER, BEAD	2	
12	146-25115-00-00	FLANGE, SPACER 1	1	
13	90560-15313-00	SPACER	1	
14	93306-20226-00	BEARING	1	
15	93104-22018-00	OIL SEAL	1	
16	437-W2536-00-00	BRAKESHOE SET-2PCS	2	
17	90387-15623-00	COLLAR	1	
18	(1W2-25321-00-98) (1W2-25321-02-98)	PLATE, BRAKE SHOE	1	
19	90506-17328-00	SPRING, TENSION	2	
20	2A6-25310-10-0 401-25351-00-00	UNAVAILABLE IN PRICE BOOK CAMSHAFT	1	
21	4V5-25355-00-00	LEVER, CAMSHAFT (168-25355-00)	1	
22	90101-06291-00	BOLT	1	
23	1W2-25388-01-00	PULLER, CHAIN 1	1	
24	1W2-25389-01-00	PULLER, CHAIN 2	1	
25	1W2-25381-00-00	AXLE, WHEEL	1	
26	93306-30202-00	BEARING	1	

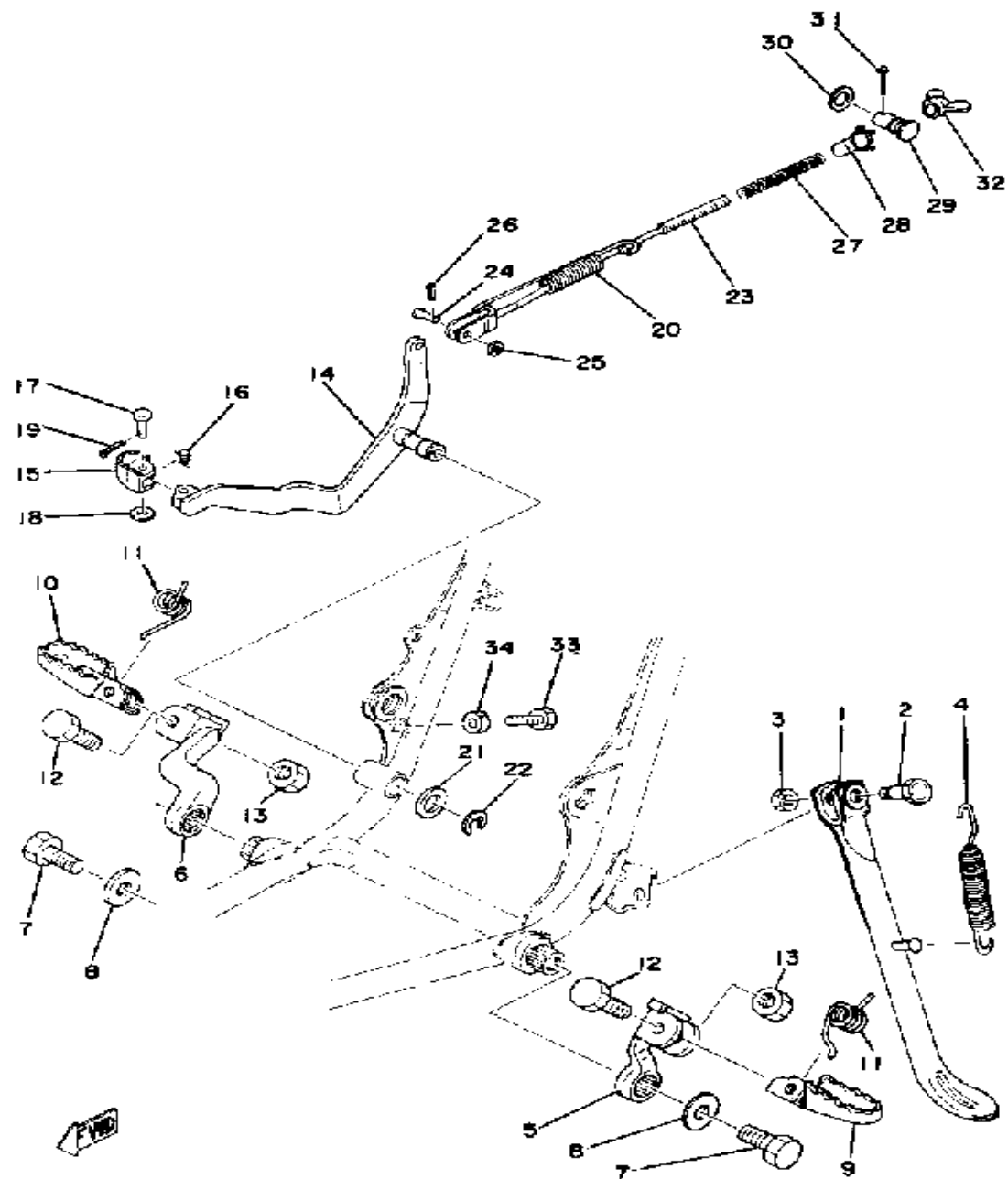
CONTINUED ON NEXT FRAME ►

REAR WHEEL



Ref. No.	Part Number	Description	Qty	Remarks
27	93106-26005-00	OIL SEAL	1	
28	90387-15524-00	COLLAR	1	
29	401-25367-00-00	COVER, HUB DUST	1	
30	90201-15238-00	WASHER, PLATE	1	
31	90171-14020-00	NUT, CASTLE	1	
32	91401-30030-00	PIN, COTTER	1	
33	1W2-25439-00-00	SPROCKET, DRIVN 39T	1	U.R.
	1W2-25441-00-00	SPROCKET, DRIVN 41T	1	U.R.äSTD
	1W2-25443-00-00	SPROCKET, DRIVN 43T	1	U.R.
34	1G8-25412-00-00	WASHER	3	
35	90116-10221-00	BOLT, STUD	6	
36	95701-10500-00	NUT, FLANGE (95702-10500)	6	
37	94585-20094-00	CHAIN 520TR-94L (DK520TR-94L)	1	
38	94680-11001-00	. JOINT CHAIN	1	

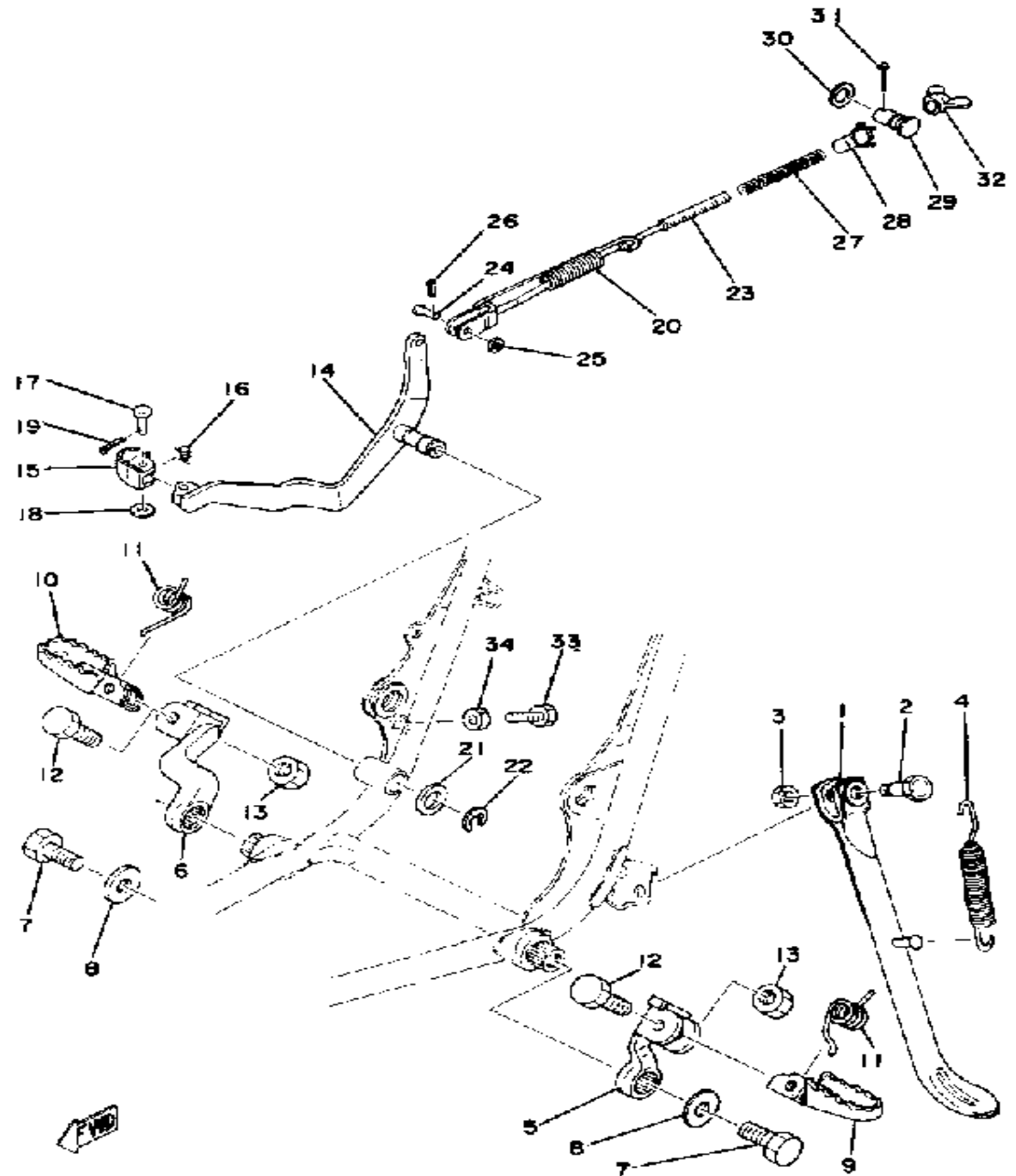
STAND - FOOTREST - BRAKE PEDAL



Ref. No.	Part Number	Description	Qty	Remarks
1	1W2-27311-01-00	STAND, SIDE	1	
2	90109-103A1-00	BOLT	1	
3	95303-10700-00	NUT	1	
4	90507-29008-00	SPRING, TENSION	1	
5	(99999-01110-00)	BRACKET FOOTREST	1	
	1W1-27412-02-00	. UNAVAILABLE IN PRICE BOOK	1	
6	(99999-01108-00)	BRACKET, FOOTREST	1	
	1W1-27422-02-00	. UNAVAILABLE IN PRICE BOOK	1	
	90101-08428-00	. BOLT	1	
7	97011-10016-00	BOLT, HEXAGON	2	
8	90201-10639-00	WASHER, PLATE	2	
9	1W4-27411-00-00	FOOTREST 1	1	
10	1W4-27421-00-00	FOOTREST 2	1	
11	90508-20023-00	SPRING, TORSION	2	
12	90101-08371-00	BOLT	2	
13	95611-08100-00	NUT, U	2	
14	(2W6-27211-00-33)	PEDAL, BRAKE	1	YAMAHA BLK
15	55V-27242-00-00	PEDAL, BRAKE	1	
16	90508-14352-00	SPRING, TORSION	1	
17	91701-06022-00	PIN, CLEVIS	1	
18	92901-06600-00	WASHER	1	
19	91490-20020-00	PIN, COTTER	1	
20	90506-18289-00	SPRING, TENSION	1	
21	90201-14212-00	WASHER, PLATE	1	
22	93430-10015-00	CIRCLIP, E-TYPE	1	
23	322-27231-00-00	ROD, BRAKE	1	
24	90240-06103-00	PIN, CLEVIS	1	

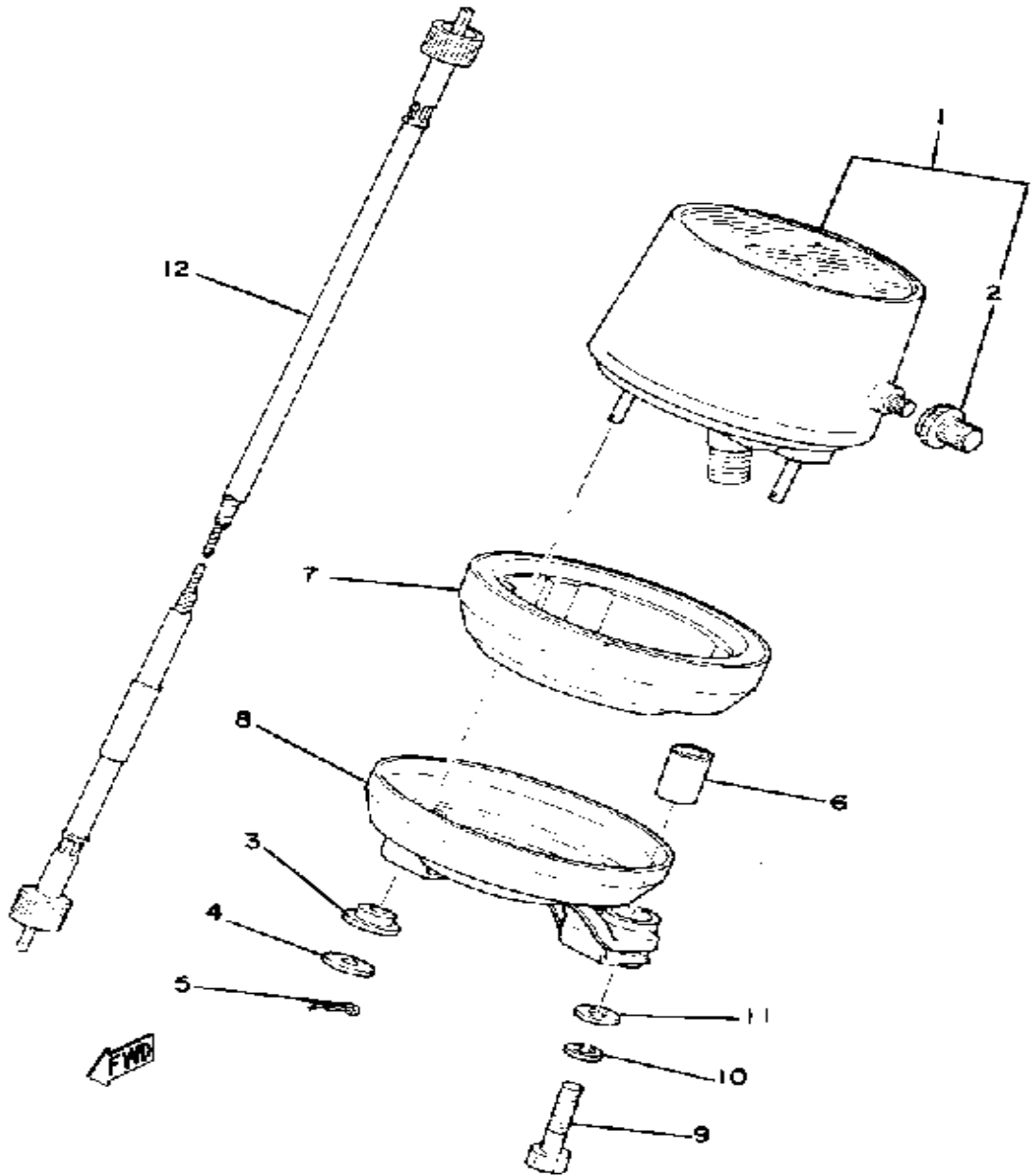
CONTINUED ON NEXT FRAME ➤

STAND - FOOTREST - BRAKE PEDAL



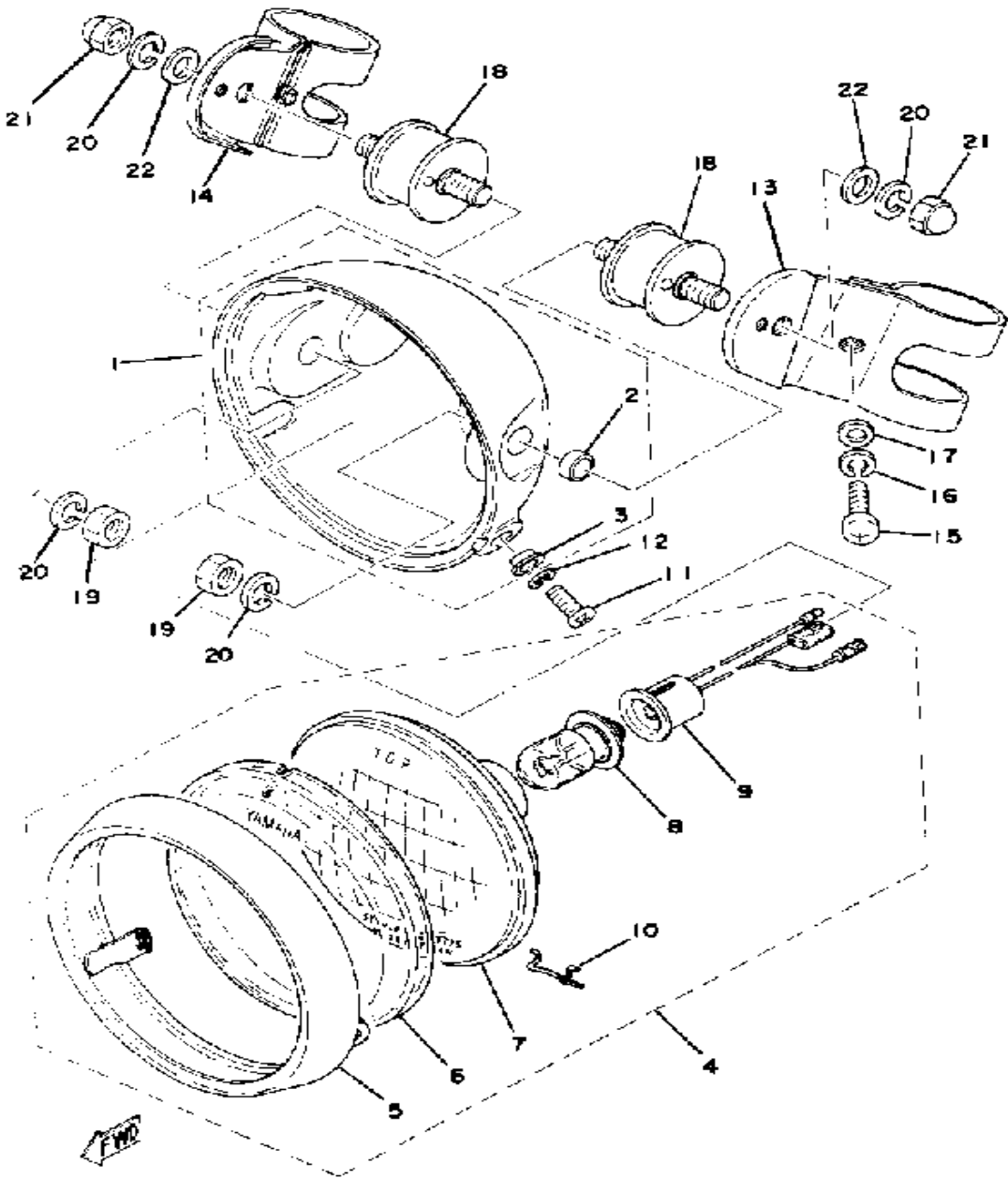
Ref. No.	Part Number	Description	Qty	Remarks
25	92990-06200-00	WASHER	1	
26	91490-20020-00	PIN, COTTER	1	
27	90501-10245-00	SPRING, COMPRESSION	1	
28	1W2-27239-00-00	SEAT, SPRING	1	
29	1W2-27237-00-00	PIN, CLEVIS	1	
30	90201-12631-00	WASHER, PLATE	1	
31	91401-25030-00	PIN, COTTER	1	
32	90179-06411-00	NUT	1	
33	97011-06020-00	BOLT	1	
34	95380-06700-00	NUT	1	

SPEEDOMETER



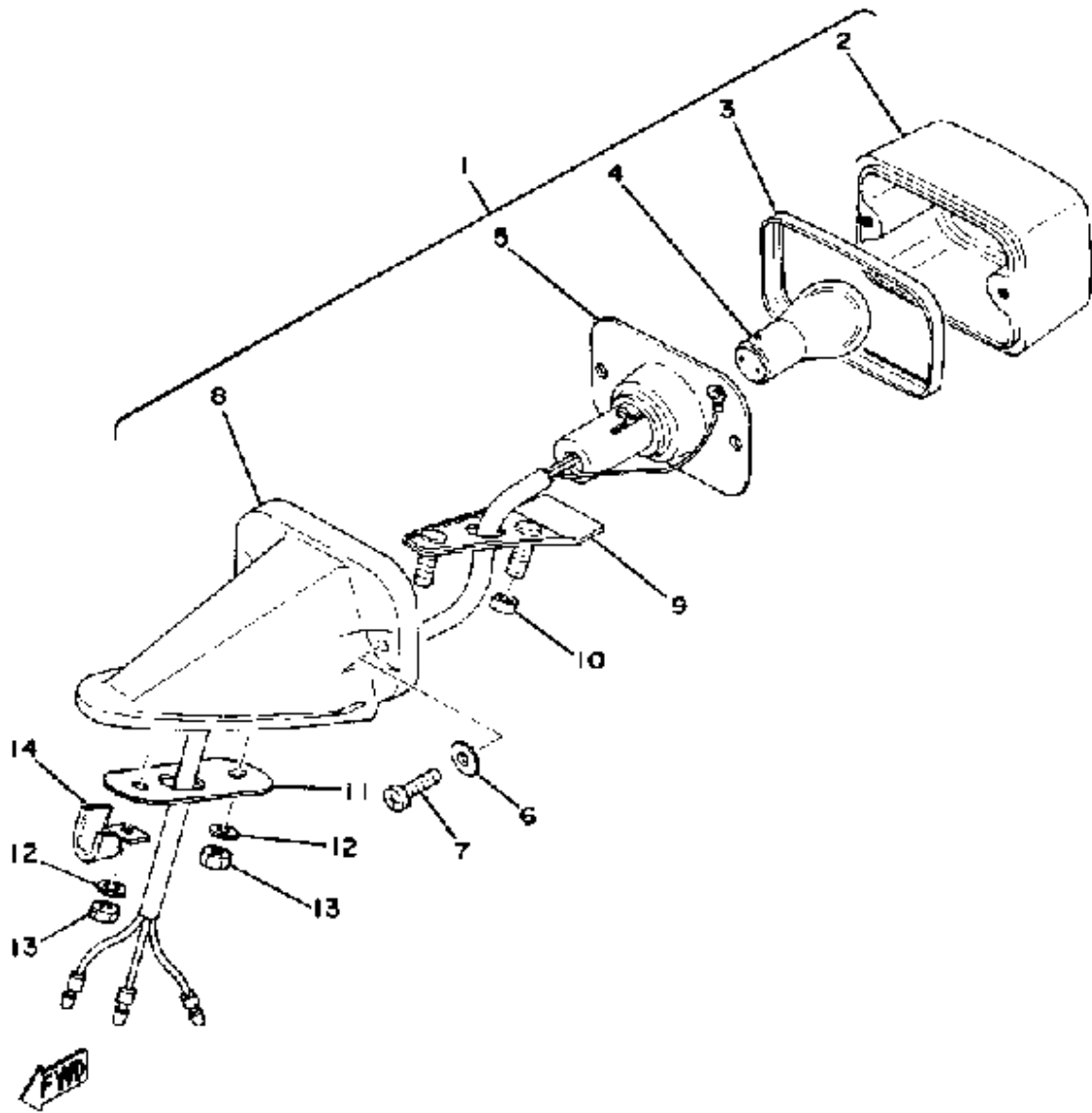
Ref. No.	Part Number	Description	Qty	Remarks
1	(1W2-83510-30-00)	SPEEDOMETER ASSEMBLY ..	1	MILE/H
2	1E6-83578-60-00	. KNOB, TRIP METER	1	
3	1M1-83526-00-00	DAMPER 2	2	
4	90201-052E2-00	WASHER, PLATE	2	
5	90468-10050-00	CLIP	2	
6	90385-06001-00	BUSH, SPEC'L RUBBER (214-83528-00)	2	
7	1W2-83513-00-00	DAMPER	1	
8	(1W2-83519-00-00)	BRACKET, METER	1	
9	97021-06030-00	BOLT	2	
10	92995-06100-00	WASHER, SPRING	2	
11	92901-06600-00	WASHER	2	
12	3R8-83550-00-00	SPEEDOMETER CABLE	1	

HEADLIGHT



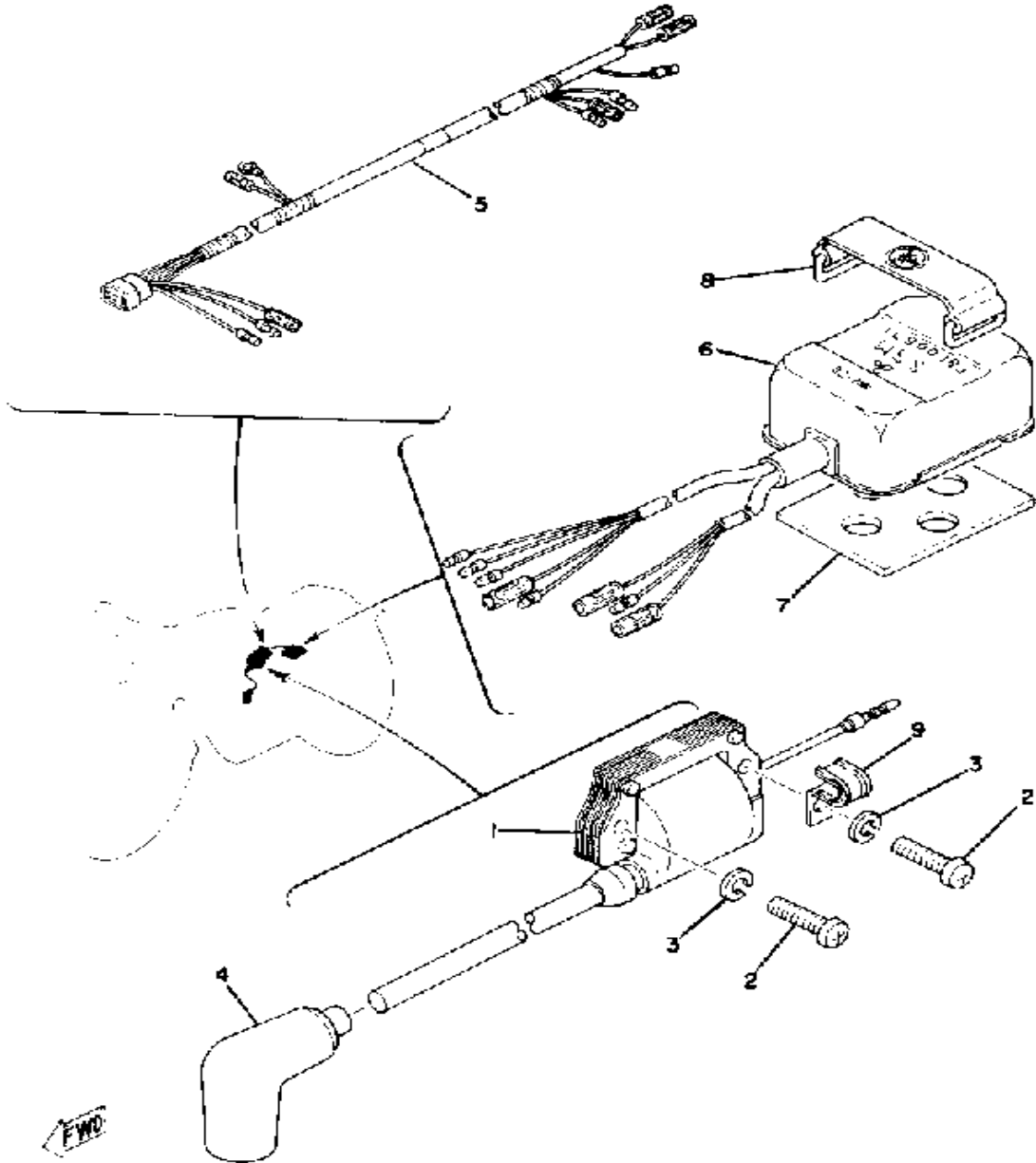
Ref. No.	Part Number	Description	Qty	Remarks
1	1W2-84130-60-00	BODY ASSEMBLY, HEADLIGHT	1	YAMAHA BLK
2	(1W2-84145-60-00)	COLLAR, BODY FTNG	2	
3	1L9-84338-60-00	. COLLAR, BODY FTNG	2	
4	UNA-VAILA-BL-EI 0 0		11	
5	(1W2-84115-60-00)	RIM, HEADLIGHT	1	
6	1W2-84144-60-00	. COVER, HEADLIGHT	1	
7	3R8-84120-60-00	. LENS ASSEMBLY	1	
8	527-84114-09-XX	. BULB, HL 6V25/25W	1	
9	1W2-84112-60-00	. SOCKET	1	
10	1W2-84324-60-00	. SPRING, REFLECTOR	4	
11	98580-05016-00	SCREW, PAN HEAD	1	
12	92990-05100-00	WASHER, SPRING	1	
13	(1W2-84118-00-33)	STAY, HEADLIGHT 1	1	YAMAHA BLK
14	(1W2-84119-00-33)	STAY, HEADLIGHT 2	1	YAMAHA BLK
15	98580-06020-00	SCREW	2	
16	92995-06100-00	WASHER, SPRING	2	
17	92901-06600-00	WASHER	2	
18	1W2-84143-00-00	DAMPER, HDLT STAY	2	
19	95333-08600-00	NUT	2	
20	92990-08100-00	WASHER	4	
21	95303-08800-00	NUT (CROWN) (95301-08800)	2	
22	92901-08600-00	WASHER	2	

TAILLIGHT



Ref. No.	Part Number	Description	Qty	Remarks
1	434-84500-64-00	TAILLIGHT ASSEMBLY	1	
2	434-84521-69-00	. LENS, TAILLIGHT	1	
3	434-84515-61-00	. RIM, TAILLIGHT	1	
4	122-84514-30-00	. BULB	1	
5	434-84517-61-00	. CORD, TAILLIGHT	1	
6	434-84522-62-00	. WASHER	2	
7	434-84524-61-00	. SCREW, LENS FITTING	2	
8	434-84519-64-00	. BRACKET, TAILLIGHT	1	
9	434-84500-64-00	. TAILLIGHT ASSEMBLY	1	
10	(434-84557-60-00)	COLLAR	2	
11	1W2-84525-00-00	WASHER, SPECIAL	1	
12	92990-05100-00	WASHER, SPRING	2	
13	95380-05600-00	NUT	2	
14	90462-05005-00	CLAMP	1	

ELECTRICAL



Ref. No.	Part Number	Description	Qty	Remarks
1	5G4-82310-40-00	IGNITION COIL ASSEMBLY (J17-82310-21)	1	
2	98511-06025-00	SCREW PAN HEAD (92501-06025)	2	
3	92995-06100-00	WASHER, SPRING	2	
4	294-82370-00-00	PLUG CAP ASSEMBLY	1	
5	(1W2-82590-01-00)	WIRE HARNESS ASSEMBLY	1	
6	1W2-85540-20-00	CDI UNIT ASSEMBLY	1	
7	1M2-85547-00-00	DAMPER	1	
8	122-82131-00-00	BAND, BATTERY	1	
9	90462-05005-00	CLAMP	1	

D-3
IT175E MOTORCYCLE
1978 SERVICE DATA M7-048

MODEL – IBM I.D. NUMBER	IT175E – 1W2
Initial Engine Number/Frame Number	1W2-020101 / 1W2-020101
Basic Color(s)	Sky Blue
ENGINE TYPE	2-stroke, air-cooled, reed valve
Bore/Stroke/Number Cylinders/Displacement (cc)	66mm / 50mm / 1 / 171cc
Compression Ratio/Compression Pressure min.~max.	7.4:1 / ϕ
Piston Skirt Clearance new/max.	.040 ~ .045mm / 0.1mm
Ring End Gap top/2nd/3rd	0.3 ~ 0.5mm / same / ϕ
Valve Clearance (cold) Intake/Exhaust	ϕ
Oil Pressure hot/rpm	ϕ
Oil Tank or Engine Sump Capacity	Premix Yamalube R* 20:1
AUTOLUBE – Min. stroke/Color code	ϕ
Minimum Output @ 200 strokes	ϕ
Maximum Output @ 200 strokes	ϕ
CARBURETOR – mfr./type/I.D. number	Mikuni / VM34SS / 1W2-00
Main Jet/Pilot Jet	360/60
Needle Jet/Jet Needle-Clip Position	P-4 / 6F21-3
Slide Cutaway or Throttle Valve	2.0
Float Level	23.5 \pm 1mm
Mixture Screw – turns out/idle rpm	1 1/2 / ϕ
SUSPENSION	
Front Forks: Oil type/level/qty	20wt Fork Oil* / ϕ / 262cc
Gas Pressure	ϕ
Spring Length std	566mm
Monoshock: Oil type/qty	ϕ
Gas Pressure	18 kg/cm ²
TRANSMISSION – oil type/qty chg/qty reassemble	SAE20W40 (Yamalube 4*) / 600cc / 650cc
Primary drive type	Helical Gear
Secondary type/teeth/chain	Chain / 41-12 / DID520TR - 94L
Clutch Friction Plate Thickness std ~ min.	3.0 ~ 2.7mm
Clutch Spring Length std ~ min.	36.0 ~ 35.0mm
Tires size (nominal pressure)	Front: 3.00-21 (13psi) Rear: 4.10-18 (16psi)
ELECTRICAL – System/Type	AC Magneto / CDI
Maximum Output	ϕ
Field Coil Color Code/ Ω	ϕ
Charging Coil Color Code/ Ω	ϕ
Source Coil Color Code/ Ω	Brn ~ Blk / 420 Ω \pm 10%
Lighting Coil Color Code/ Ω	Yel-Red ~ Blk / 0.45 Ω \pm 10% // Blk-Red ~ / 13.6 Ω \pm 10%
Pulse Coil or Pickup Coil Color Code/ Ω	Wht-red ~ Blk / 12.4 Ω \pm 10%
Ignition Coil test gap Primary Ω / Secondary Ω	6mm / 1.0 Ω \pm 10% / 5.9K Ω \pm 20%
Battery—model/spec. grav./chg rate x hour	ϕ
Headlight/Tailight/Signal Rating	6V25-25W / 6V 5.3W / ϕ
Point Gap/Condenser Capacitance	ϕ
Spark Plug Type	Champion N-2G
Spark Plug Gap/Torque/Cap Ω	0.6 ~ 0.7mm / 2.0 m·kg / ϕ
Timing Static	2.3mm \pm 0.15mm BTDC
Dynamic	Center line @ 2000 rpm

ϕ = Does Not Apply To This Model * Available from Yamaha Parts Distributors, Inc.
©YAMAHA MOTOR CORPORATION, U. S. A., BUENA PARK, CALIFORNIA 9/7/77 Page 1 of 1

D-3
IT175E MOTORCYCLE
1978 SERVICE DATA M7-048

MODEL – IBM I.D. NUMBER	IT175E – 1W2
Initial Engine Number/Frame Number	1W2-020101 / 1W2-020101
Basic Color(s)	Sky Blue
ENGINE TYPE	2-stroke, air-cooled, reed valve
Bore/Stroke/Number Cylinders/Displacement (cc)	66mm / 50mm / 1 / 171cc
Compression Ratio/Compression Pressure min.~max.	7.4:1 / ϕ
Piston Skirt Clearance new/max.	.040 ~ .045mm / 0.1mm
Ring End Gap top/2nd/3rd	0.3 ~ 0.5mm / same / ϕ
Valve Clearance (cold) Intake/Exhaust	ϕ
Oil Pressure hot/rpm	ϕ
Oil Tank or Engine Sump Capacity	Premix Yamalube R* 20:1
AUTOLUBE – Min. stroke/Color code	ϕ
Minimum Output @ 200 strokes	ϕ
Maximum Output @ 200 strokes	ϕ
CARBURETOR – mfr./type/I.D. number	Mikuni / VM34SS / 1W2-00
Main Jet/Pilot Jet	360/60
Needle Jet/Jet Needle-Clip Position	P-4 / 6F21-3
Slide Cutaway or Throttle Valve	2.0
Float Level	23.5 \pm 1mm
Mixture Screw – turns out/idle rpm	1 1/2 / ϕ
SUSPENSION	
Front Forks: Oil type/level/qty	20wt Fork Oil* / ϕ / 262cc
Gas Pressure	ϕ
Spring Length std	566mm
Monoshock: Oil type/qty	ϕ
Gas Pressure	18 kg/cm ²
TRANSMISSION – oil type/qty chg/qty reassemble	SAE20W40 (Yamalube 4*) / 600cc / 650cc
Primary drive type	Helical Gear
Secondary type/teeth/chain	Chain / 41-12 / DID520TR - 94L
Clutch Friction Plate Thickness std ~ min.	3.0 ~ 2.7mm
Clutch Spring Length std ~ min.	36.0 ~ 35.0mm
Tires size (nominal pressure)	Front: 3.00-21 (13psi) Rear: 4.10-18 (16psi)
ELECTRICAL – System/Type	AC Magneto / CDI
Maximum Output	ϕ
Field Coil Color Code/ Ω	ϕ
Charging Coil Color Code/ Ω	ϕ
Source Coil Color Code/ Ω	Brn ~ Blk / 420 Ω \pm 10%
Lighting Coil Color Code/ Ω	Yel-Red ~ Blk / 0.45 Ω \pm 10% // Blk-Red ~ / 13.6 Ω \pm 10%
Pulse Coil or Pickup Coil Color Code/ Ω	Wht-red ~ Blk / 12.4 Ω \pm 10%
Ignition Coil test gap Primary Ω / Secondary Ω	6mm / 1.0 Ω \pm 10% / 5.9K Ω \pm 20%
Battery—model/spec. grav./chg rate x hour	ϕ
Headlight/Tailight/Signal Rating	6V25-25W / 6V 5.3W / ϕ
Point Gap/Condenser Capacitance	ϕ
Spark Plug Type	Champion N-2G
Spark Plug Gap/Torque/Cap Ω	0.6 ~ 0.7mm / 2.0 m·kg / ϕ
Timing Static	2.3mm \pm 0.15mm BTDC
Dynamic	Center line @ 2000 rpm

ϕ = Does Not Apply To This Model * Available from Yamaha Parts Distributors, Inc.
©YAMAHA MOTOR CORPORATION, U. S. A., BUENA PARK, CALIFORNIA 9/7/77 Page 1 of 1



TECHNICAL BULLETIN